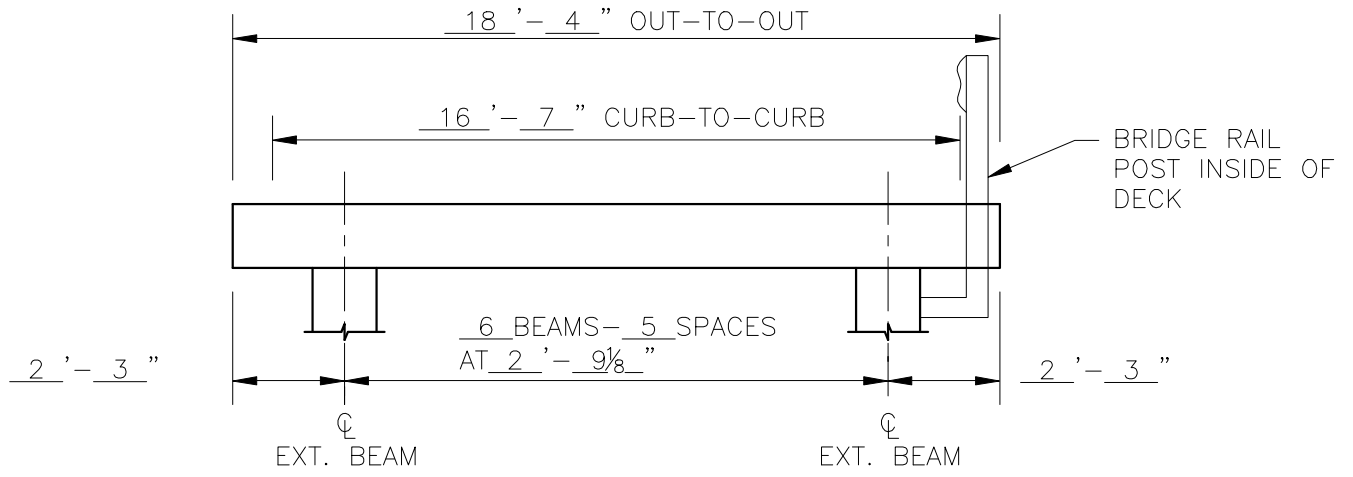


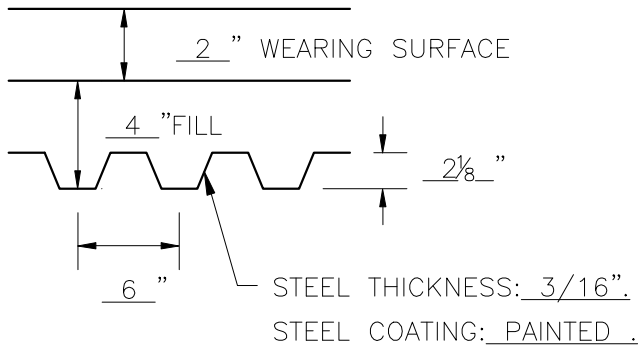
PROFILE, LOOKING WEST.

ITD Bridge Drawing No. 17314

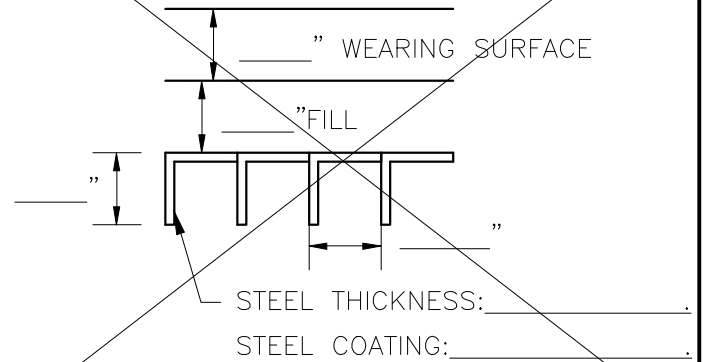
IDAHO TRANSPORTATION DEPARTMENT DISTRICT 2	INSPECTOR: J. CHAPMAN	COLLINS ENGINEERS 123 N. Wacker Dr. Suite 900 Chicago, IL 60606 (312) 704-9300 www.collinsengr.com
	DATE: 6/05/13	
BRIDGE FIELD MEASUREMENTS	BRIDGE KEY: 29255	NOT TO SCALE SHEET 1 OF 4



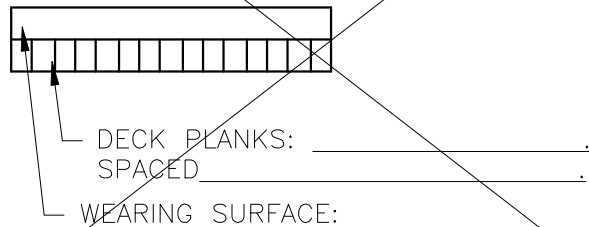
TYPICAL SECTION, LOOKING NORTH.



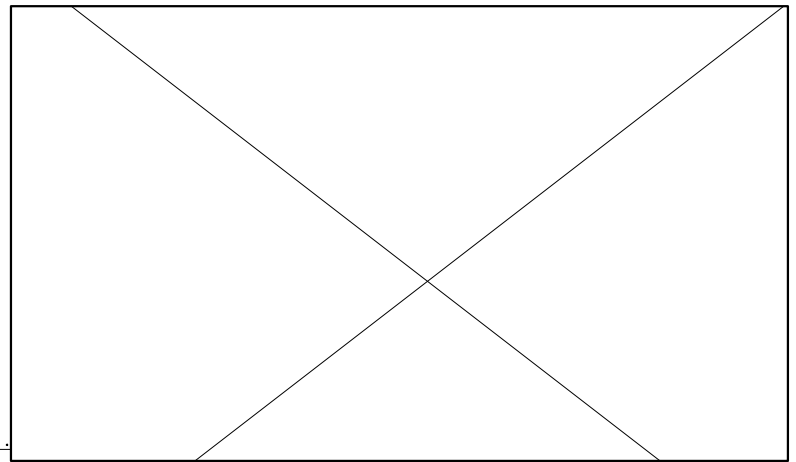
CORRUGATED STEEL DECK



STEEL ANGLE DECK



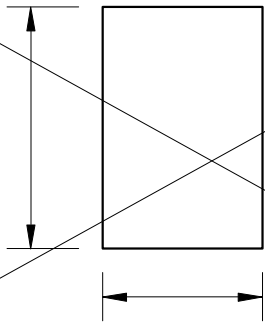
TIMBER DECK



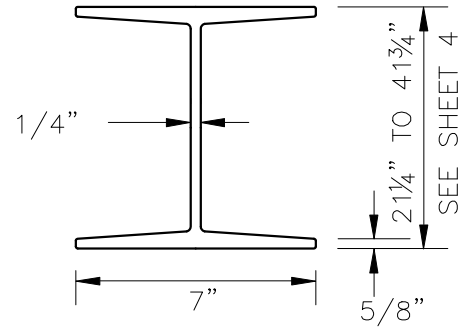
OTHER

ITD Bridge Drawing No. 17314

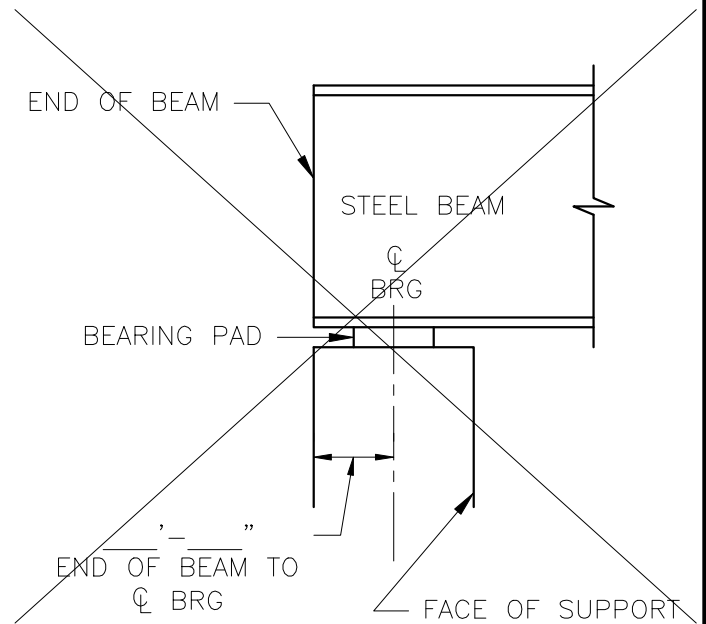
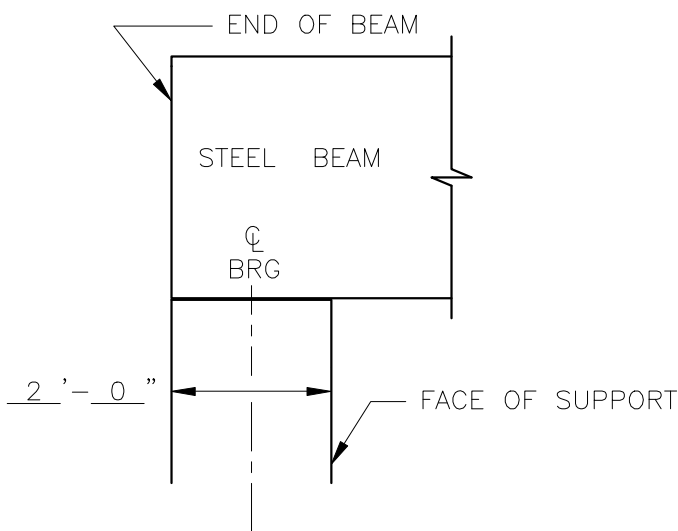
IDAHO TRANSPORTATION DEPARTMENT DISTRICT 2	INSPECTOR: J. CHAPMAN	COLLINS ENGINEERS 123 N. Wacker Dr. Suite 900 Chicago, IL 60606 (312) 704-8300 www.collinsengr.com
	DATE: 6/05/13	
BRIDGE FIELD MEASUREMENTS	BRIDGE KEY: 29255	NOT TO SCALE SHEET 2 OF 4



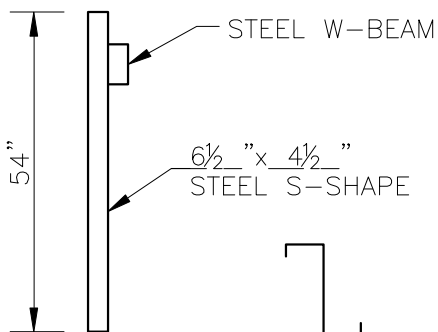
BEAM SECTION TIMBER



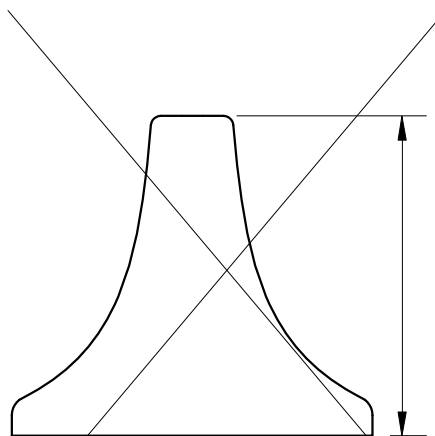
BEAM SECTION STEEL



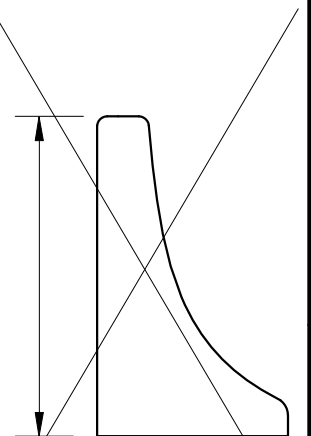
BEARING DETAIL



TYPICAL CROSS SECTION,
1/8" COLD FORMED STEEL



RAIL SECTION

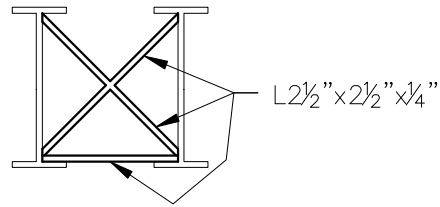


ITD Bridge Drawing No. 17314

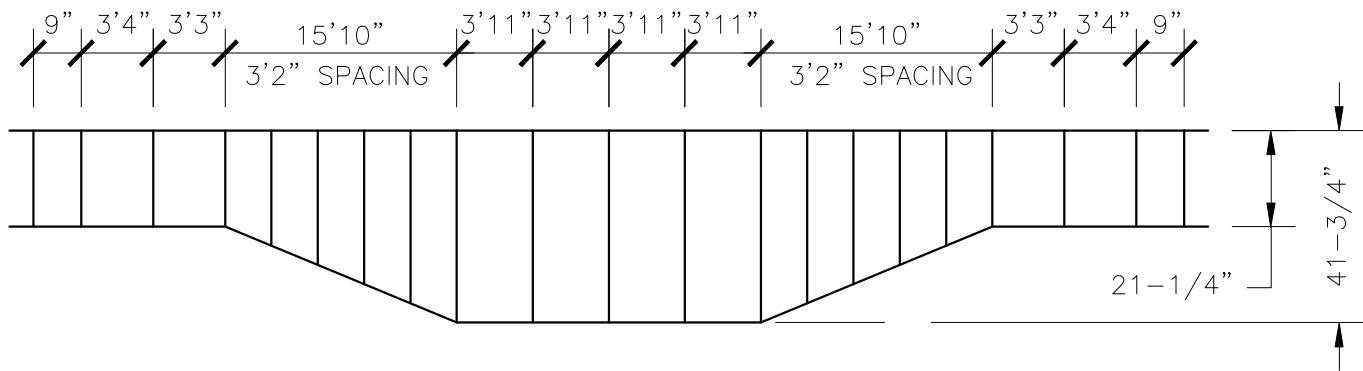
IDAHO TRANSPORTATION DEPARTMENT DISTRICT 2	INSPECTOR: J. CHAPMAN	COLLINS ENGINEERS 123 N. Wacker Dr. Suite 900 Chicago, IL 60606 (312) 704-9300 www.collinsengr.com
	DATE: 6/05/13	
BRIDGE FIELD MEASUREMENTS	BRIDGE KEY: 29255	NOT TO SCALE SHEET 3 OF 4

UTILITIES: – SEE REPORT

- DIAPHRAGM:** ① DIAPHRAGM CONSISTS OF HORIZONTAL ANGLE, ONLY
 ② DIAPHRAGM CONSISTS OF HORIZONTAL ANGLE AND CROSS BRACES.



STIFFENERS: – STIFFENERS ARE 3" x 1/4", FULL HEIGHT, AND WELDED TO GIRDERS.



ADDITIONAL NOTES

ITD Bridge Drawing No. 17314

IDAHO TRANSPORTATION DEPARTMENT DISTRICT 2	INSPECTOR: J. CHAPMAN	COLLINS ENGINEERS 123 N. Wacker Dr. Suite 900 Chicago, IL 60606 (312) 704-9300 www.collinsengr.com
	DATE: 6/05/13	
BRIDGE FIELD MEASUREMENTS	BRIDGE KEY: 29255	NOT TO SCALE SHEET 4 OF 4