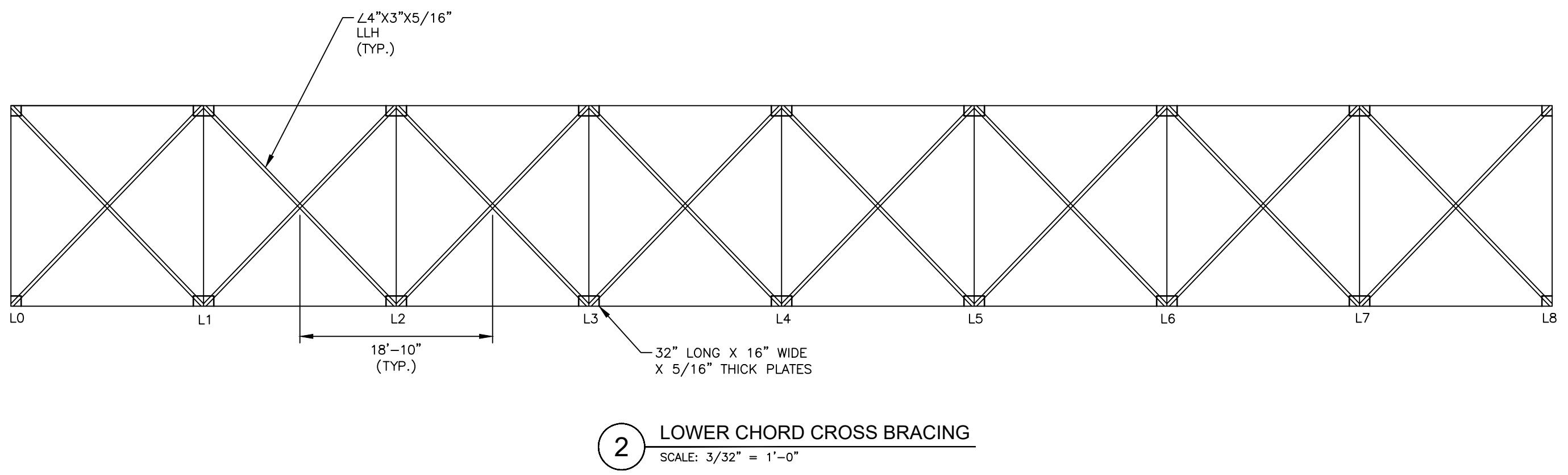
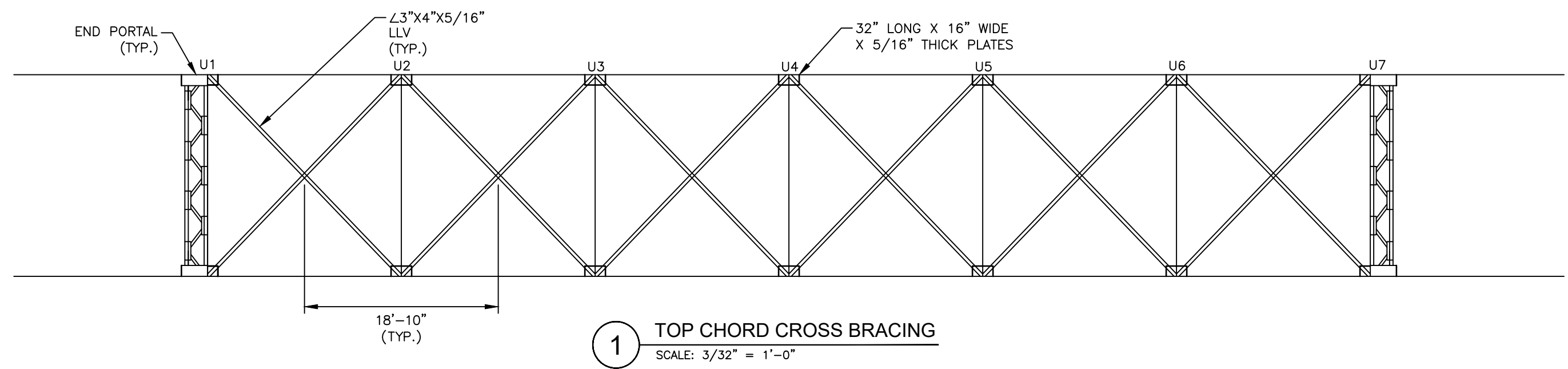
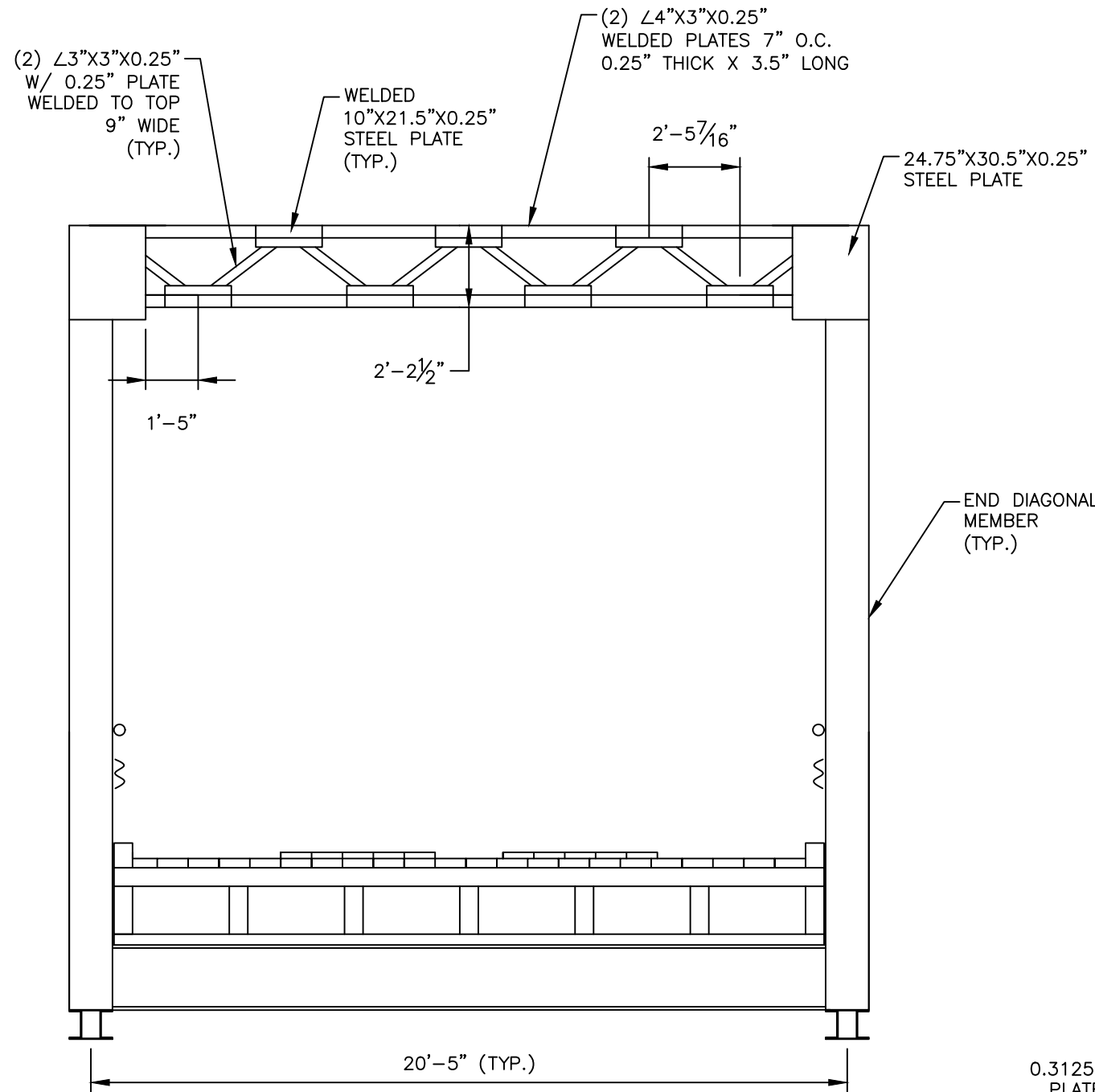


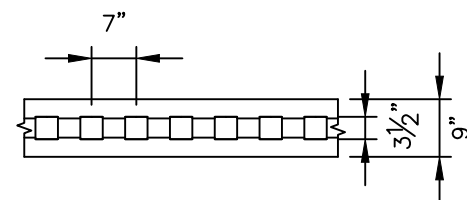


CEI PROJECT 12237.00
INSPECTED BY: DAM
DRAWN BY: AAJ
CHECKED BY: RLS
DATE: 6/29/2020
SHEET NO: S-02

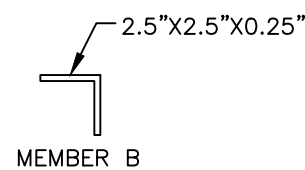
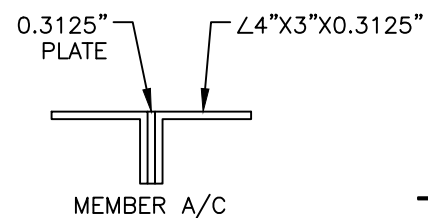




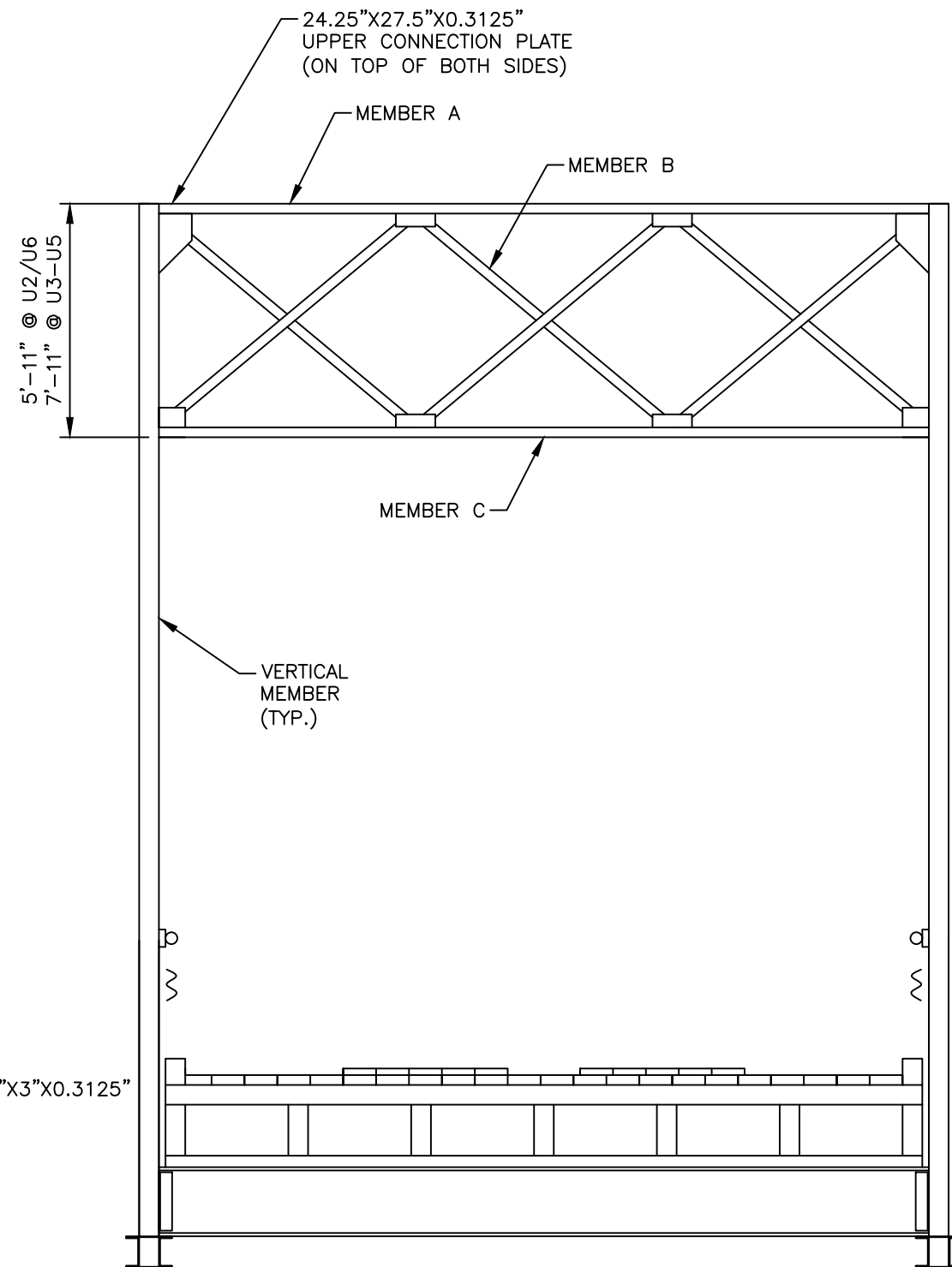
1 TYPICAL END PORTAL
SCALE: 1:50



2 TOP/BOTTOM OF END PORTAL
SCALE: 1:30



4 LATERAL BRACING MEMBERS
SCALE: 1:30



3 TYPICAL LATERAL BRACING
SCALE: 1:50

COLLINS ENGINEERS
7576 W. Victory Road
Boise, ID 83709
Phone: 208-254-1266

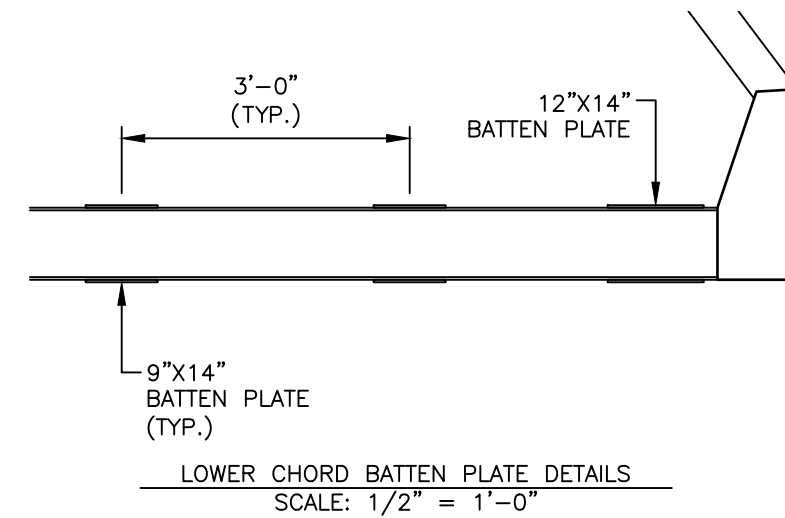
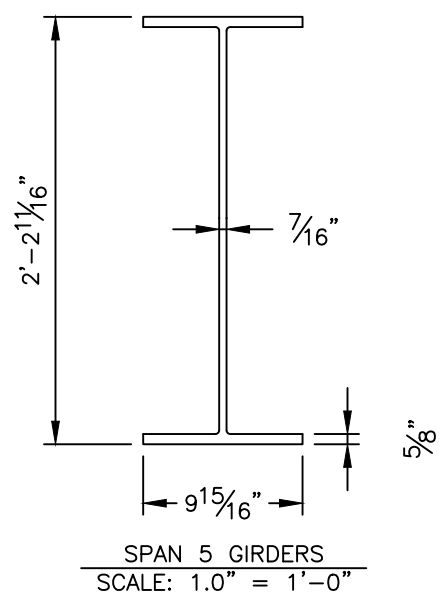
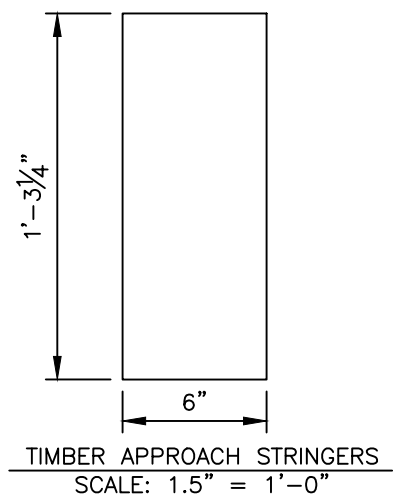
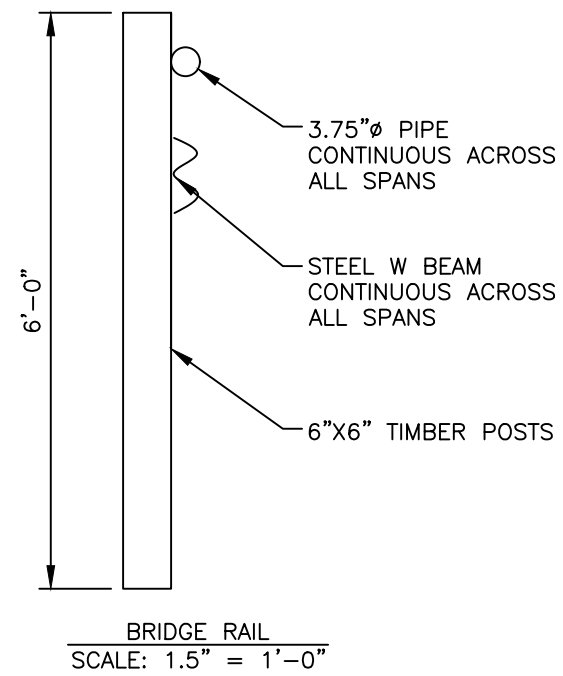
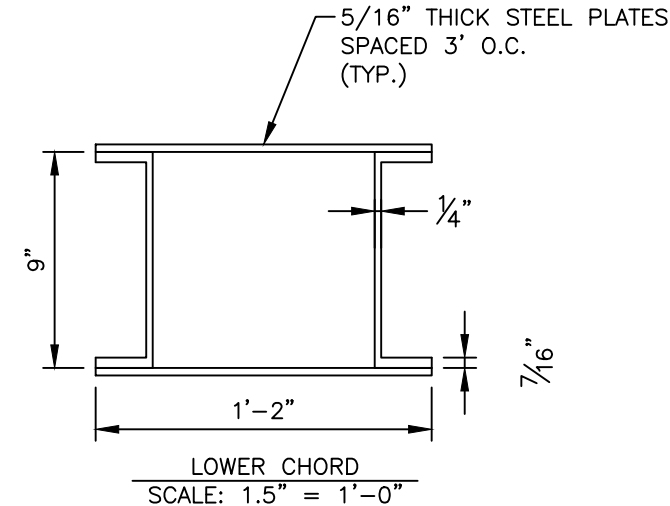
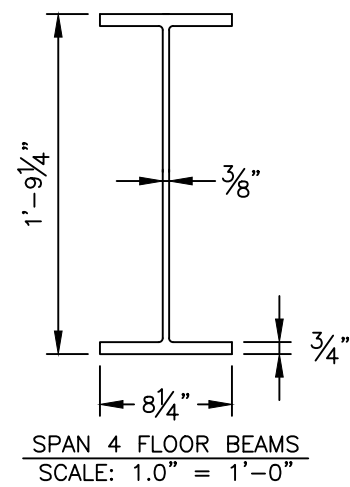
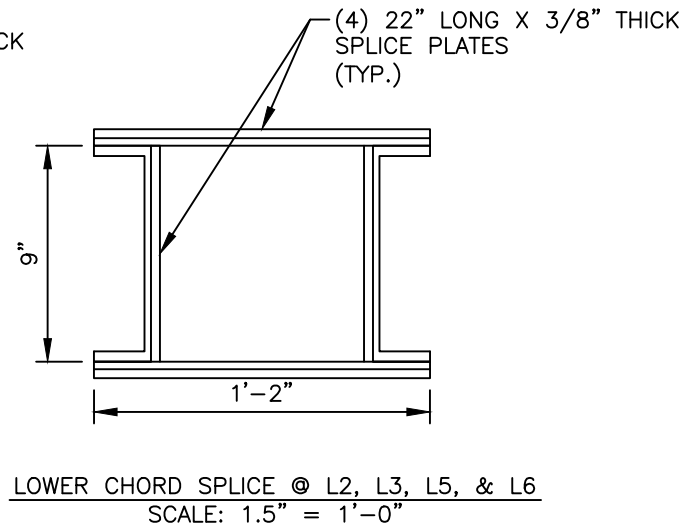
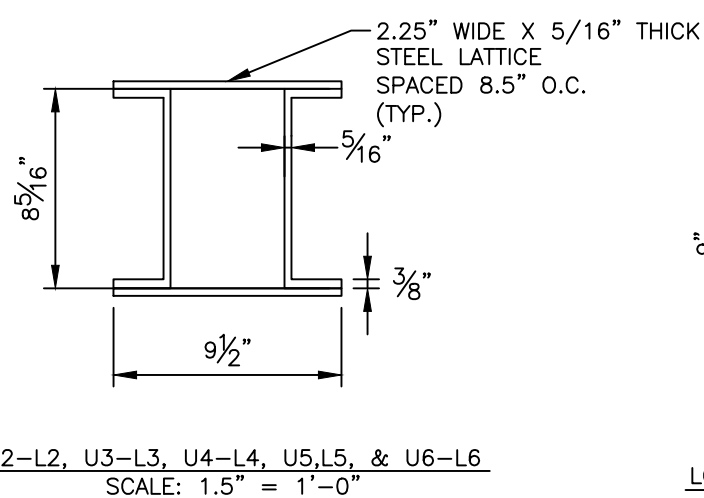
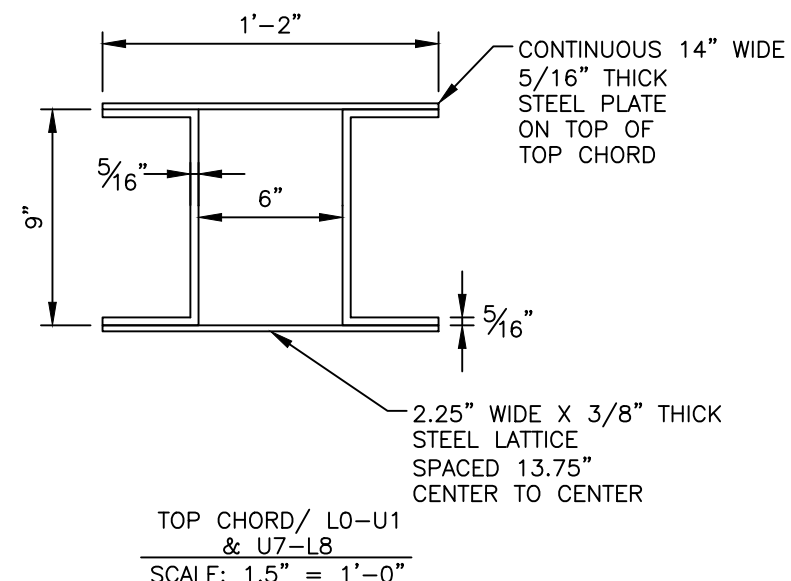
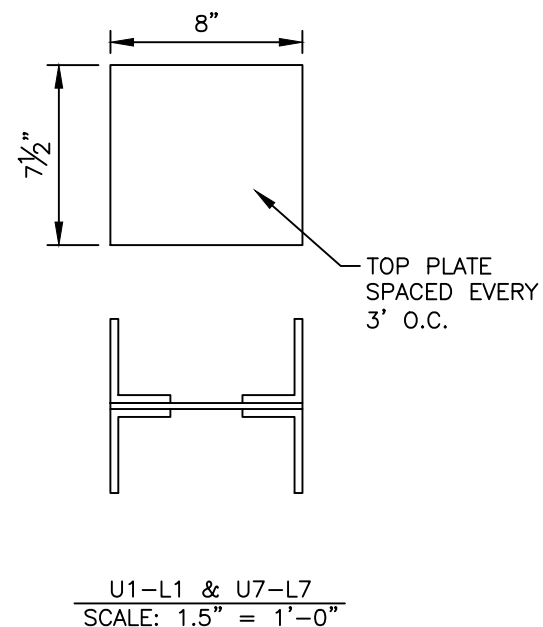
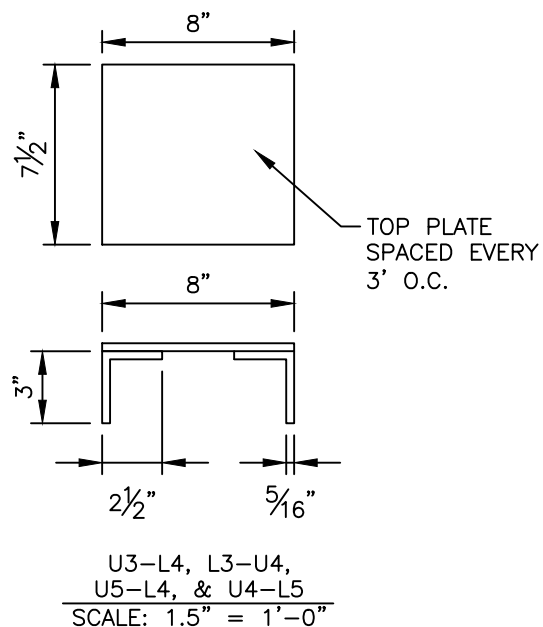
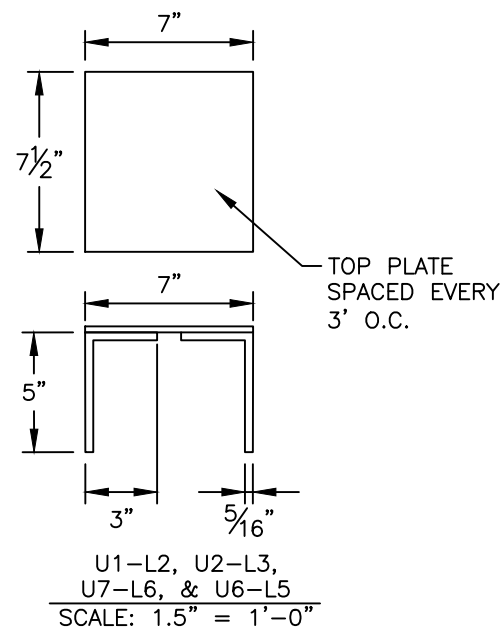
IDAHO TRANSPORTATION DEPARTMENT
3311 W. STATE ST
BOISE, ID 83707



ITD DISTRICT 1 OFF-SYSTEM
BRIDGE FIELD MEASUREMENTS

BRIDGE KEY: 30785

CEI PROJECT 12237.00
INSPECTED BY: DAM
DRAWN BY: AAJ
CHECKED BY: RLS
DATE: 6/29/2020
SHEET NO: S-03



COLLINS ENGINEERS
7576 W. Victory Road
Boise, ID 83709
Phone: 208-254-1266

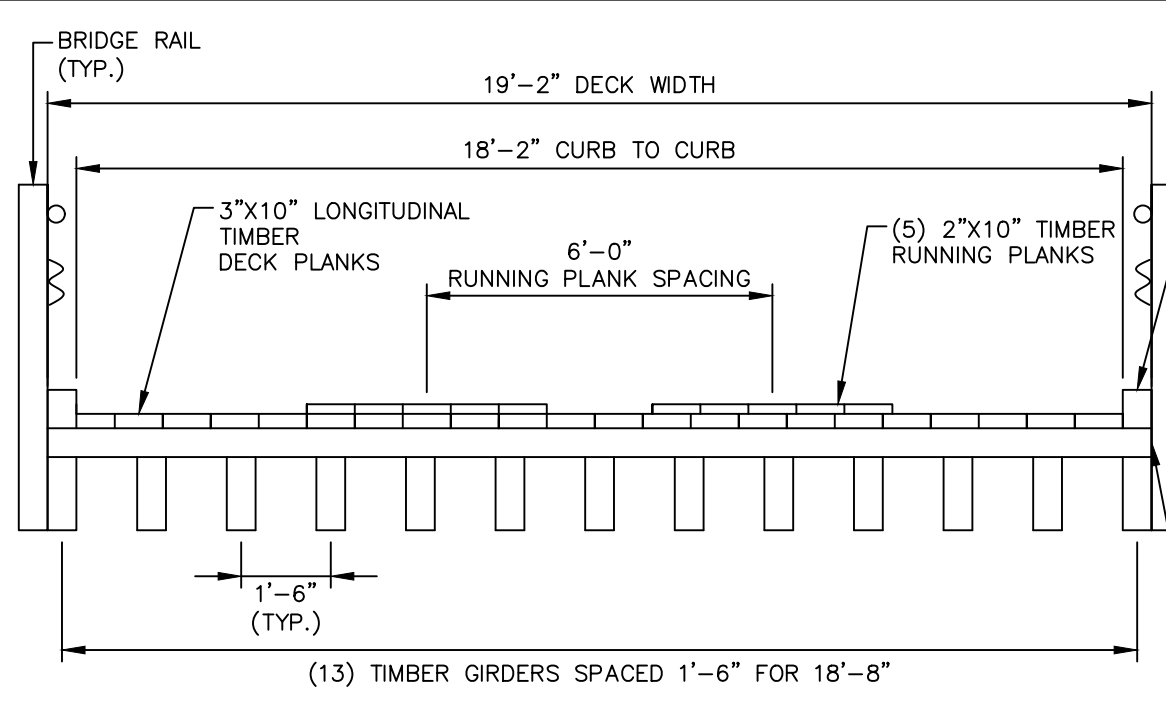
IDAHO TRANSPORTATION DEPARTMENT
3311 W STATE ST
BOISE, ID 83707

Your Mobility • Your Economy

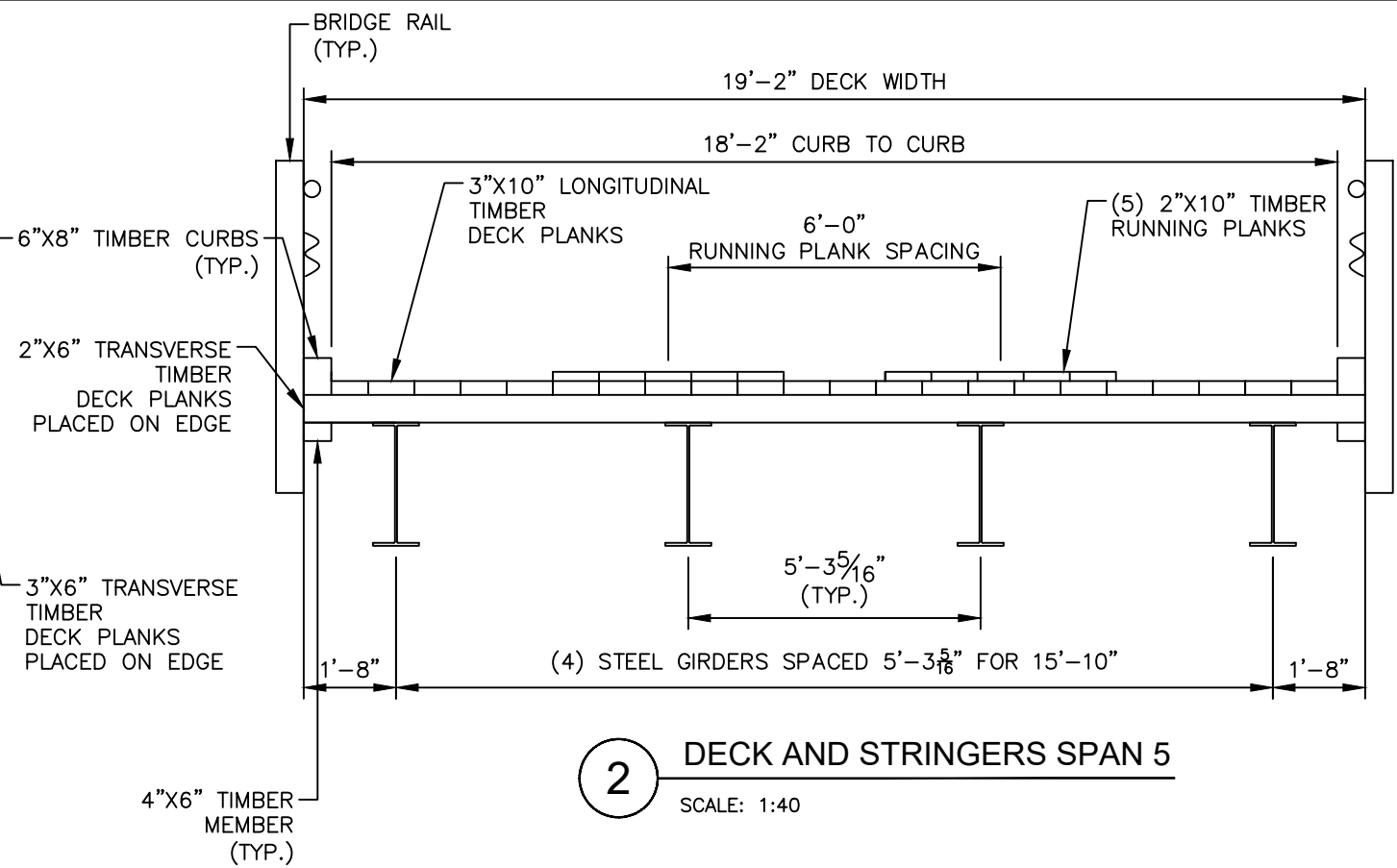
ITD DISTRICT 1 OFF-SYSTEM BRIDGE FIELD MEASUREMENTS

BRIDGE KEY: 30785

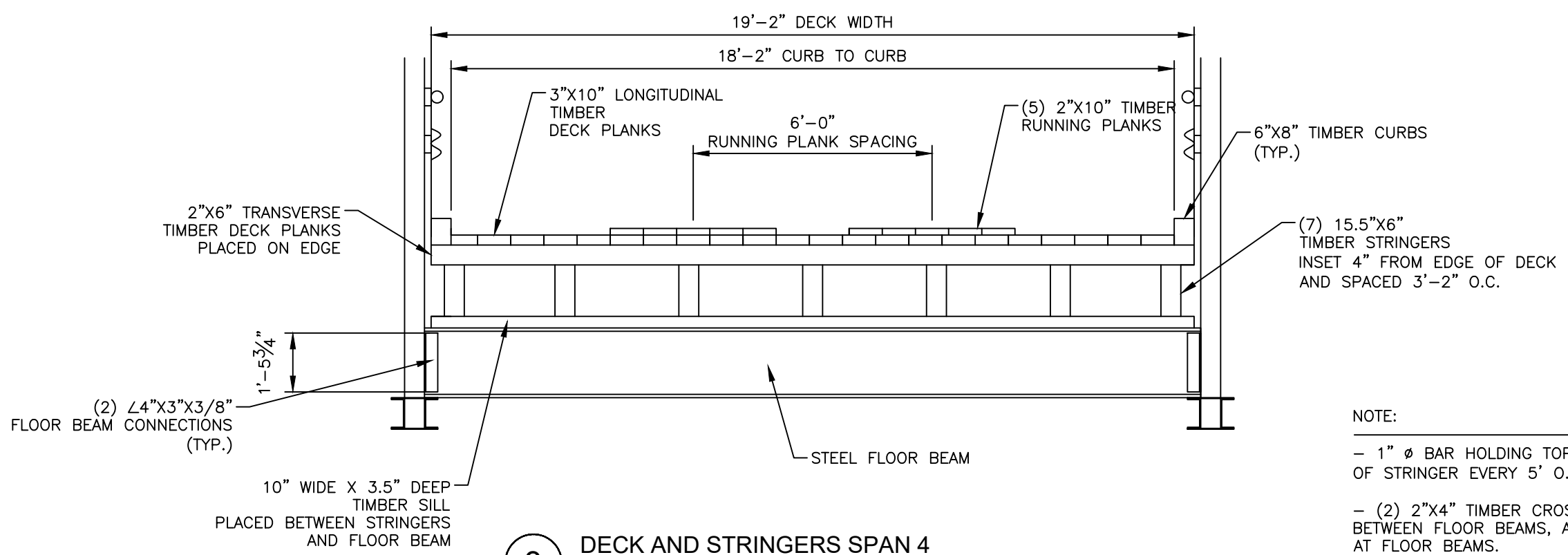
CEI PROJECT 12237.00
INSPECTED BY: DAM
DRAWN BY: AAJ
CHECKED BY: RLS
DATE: 6/29/2020
SHEET NO: S-04



1 DECK AND STRINGERS SPANS 1, 2, & 3
 SCALE: 1:40

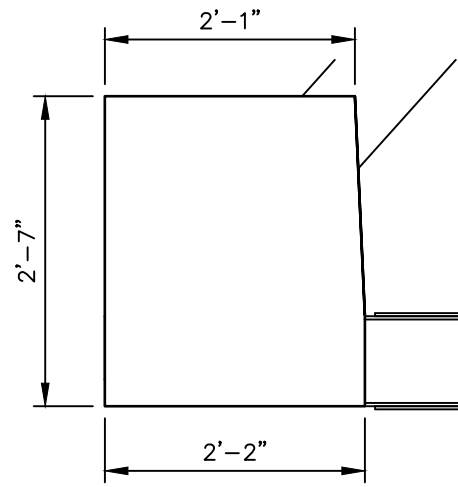


2 DECK AND STRINGERS SPAN 5
 SCALE: 1:40

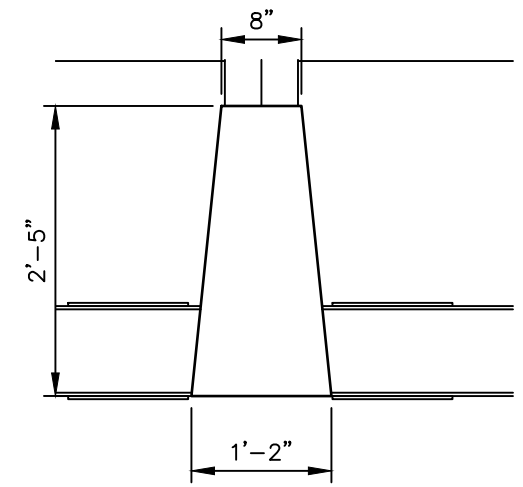


3 DECK AND STRINGERS SPAN 4
 SCALE: 1:40

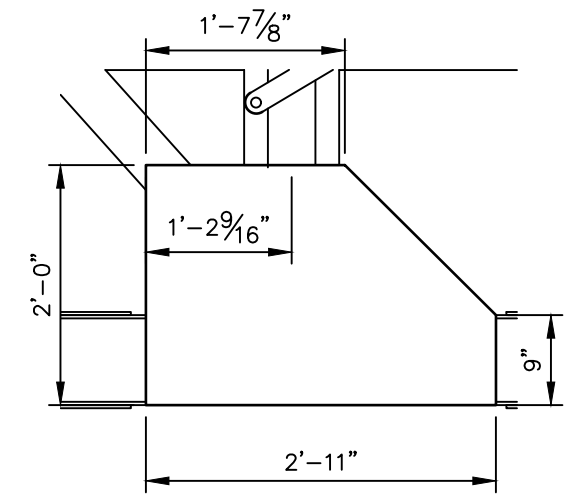
NOTE:
 - 1" Ø BAR HOLDING TOP OF CURB TO BOTTOM OF STRINGER EVERY 5' O.C.
 - (2) 2"X4" TIMBER CROSS-BRACING HALFWAY BETWEEN FLOOR BEAMS, AND TIMBER BLOCKOUTS AT FLOOR BEAMS.
 - TIMBER GIRDERS IN SPAN 1 ARE NOTCHED UP TO 1/2" AT ABUTMENT 1.



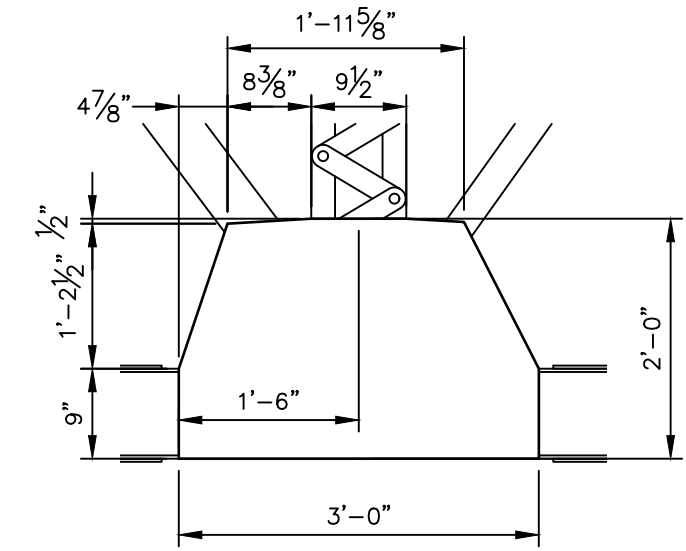
L0/L8 GUSSET PLATES
SCALE: 5/8" = 1'-0"



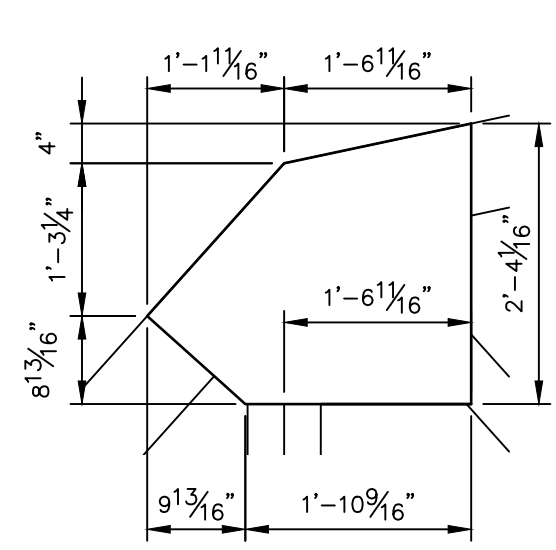
L1/L7 GUSSET PLATES
SCALE: 5/8" = 1'-0"



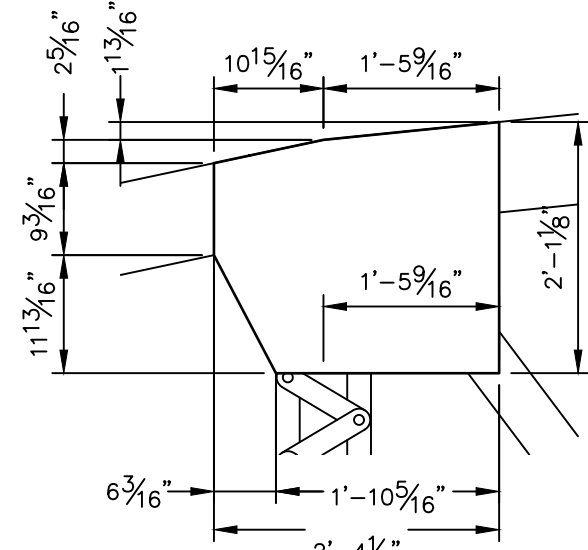
L2/L6 GUSSET PLATES
SCALE: 5/8" = 1'-0"



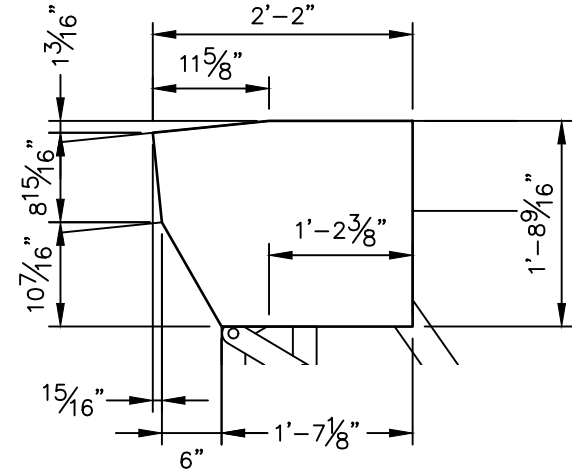
L3/L5 GUSSET PLATES
SCALE: 5/8" = 1'-0"



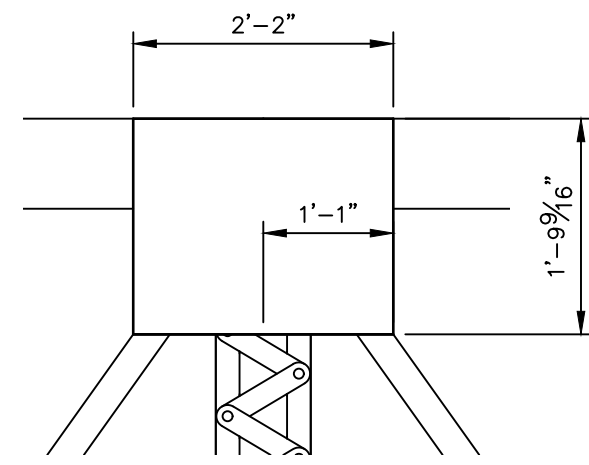
U1/U7 GUSSET PLATES
SCALE: 5/8" = 1'-0"



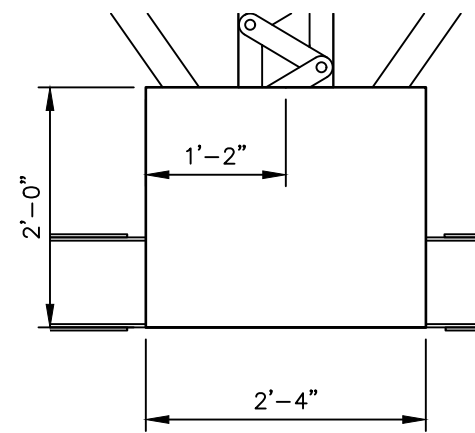
U2/U6 GUSSET PLATES
SCALE: 5/8" = 1'-0"



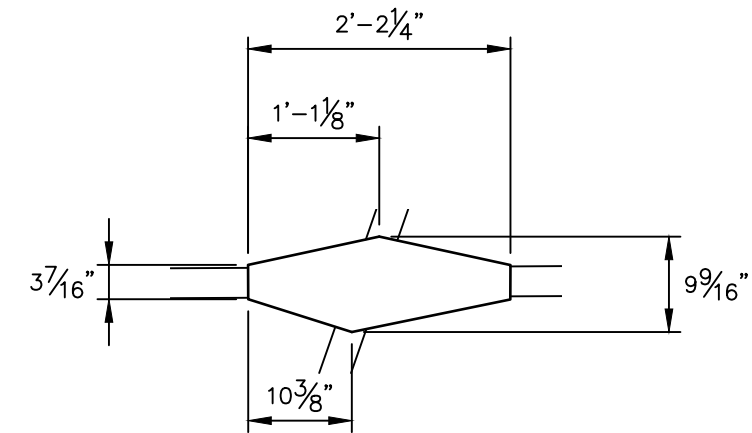
U3/U5 GUSSET PLATES
SCALE: 5/8" = 1'-0"



U4 GUSSET PLATES
SCALE: 5/8" = 1'-0"



L4 GUSSET PLATES
SCALE: 5/8" = 1'-0"



GUSSET PLATES @ DIAGONAL CROSS BRACING
SCALE: 5/8" = 1'-0"

NOTE:

- L0/L8 GUSSET PLATES ARE ALL 1/2" THICK.
ALL OTHER GUSSET PLATES ARE 3/8" THICK.

COLLINS ENGINEERS
7576 W. Victory Road
Boise, ID 83709
Phone: 208-254-1266

IDAHO TRANSPORTATION DEPARTMENT
3311 W STATE ST
BOISE, ID 83707



ITD DISTRICT 1 OFF-SYSTEM BRIDGE FIELD MEASUREMENTS

BRIDGE KEY: 30785

CEI PROJECT 12237.00

INSPECTED BY: DAM

DRAWN BY: AAJ

CHECKED BY: RLS

DATE: 6/29/2020

SHEET NO: S-06