



**THIRD ADDENDUM TO INVITATION TO BID
FOR THE DURHAM WRRF ODOR CONTROL PHASE 3 HEADWORKS
PROJECT NO. 7202**

CLEAN WATER SERVICES

ISSUED: APRIL 20, 2026

Clean Water Services' Invitation to Bid for the Durham WRRF Odor Control Phase 3 Headworks Project No. 7202 dated March 9, 2026 (ITB) is hereby amended as follows:

1. Drawings

- a. Add the following General Notes to Drawing 200-E-100:

“2. ALL BURIED CONDUIT SHALL BE SCH 40 PVC. ALL BURIED CONDUIT THAT TRANSITIONS ABOVE GRADE SHALL TRANSITION USING PCS CONDUIT, WHICH INCLUDES CONDUIT ELBOWS AND STUB-UP RISERS PER SECTION 16130.

3. ALL BURIED CONDUIT THAT EXTENDS BEYOND A CONCRETE SLAB, SHALL BE ENCASED IN UNREINFORCED, RED-DYED CONCRETE. SEE STANDARD DETAIL 16325b.”

- b. Add the following General Notes to Drawing 200-E-141:

“3. ALL BURIED CONDUIT SHALL BE SCH 40 PVC. ALL BURIED CONDUIT THAT TRANSITIONS ABOVE GRADE SHALL TRANSITION USING PCS CONDUIT, WHICH INCLUDES CONDUIT ELBOWS AND STUB-UP RISERS PER SECTION 16130.

4. ALL BURIED CONDUIT THAT EXTENDS BEYOND A CONCRETE SLAB, SHALL BE ENCASED IN UNREINFORCED, RED-DYED CONCRETE. SEE STANDARD DETAIL 16325b.”

- c. Delete the following Drawings and replace them with the Drawings included in Exhibit A of this Addendum:

1. 200-S-331
2. 200-S-333

2. Standard Details

- a. Delete the following Standard Detail in its entirety:
 - 1. 3143 SLAB CONSTRUCTION JOINT AT WALL
- b. Delete the following Standard Details and replace them with the Standard Details included in Exhibit A of this Addendum:
 - 1. 3271 EXISTING SLAB OPENING REPAIR
 - 2. 3348 CONCRETE STAIR – WITH CLOSURE WALL
 - 3. 3361 PIPE SUPPORT – CONCRETE SADDLE (1 OF 4)
 - 4. 5501 STAIR DETAILS – ALUMINUM (2 OF 4)
 - 5. 16325b TRENCH AND CONDUIT PLACEMENT

3. Specifications

- a. Add the following immediately after Part C in Section 03300 Cast-In-Place Concrete, Concrete Mix Design, Class 4000F1S1POC1 Supplement:

“D. Red Dye

- 1. Where concrete is used for electrical ductbanks or conduit encasement, coloring pigment shall be added to the concrete mix at a minimum of 10 pounds per cubic yard of concrete or as recommended by the concrete supplier to attain utility or conduit red. The red iron oxide pigment shall meet the requirements of ASTM C979 and shall be Davis Colors, ChemSystems Inc. or approved equal.”

- b. Delete “Type PCS.” in Section 16130 Conduits, Part 3.01.E.2.c.1) and replace it with the following:

“Type PVC.”

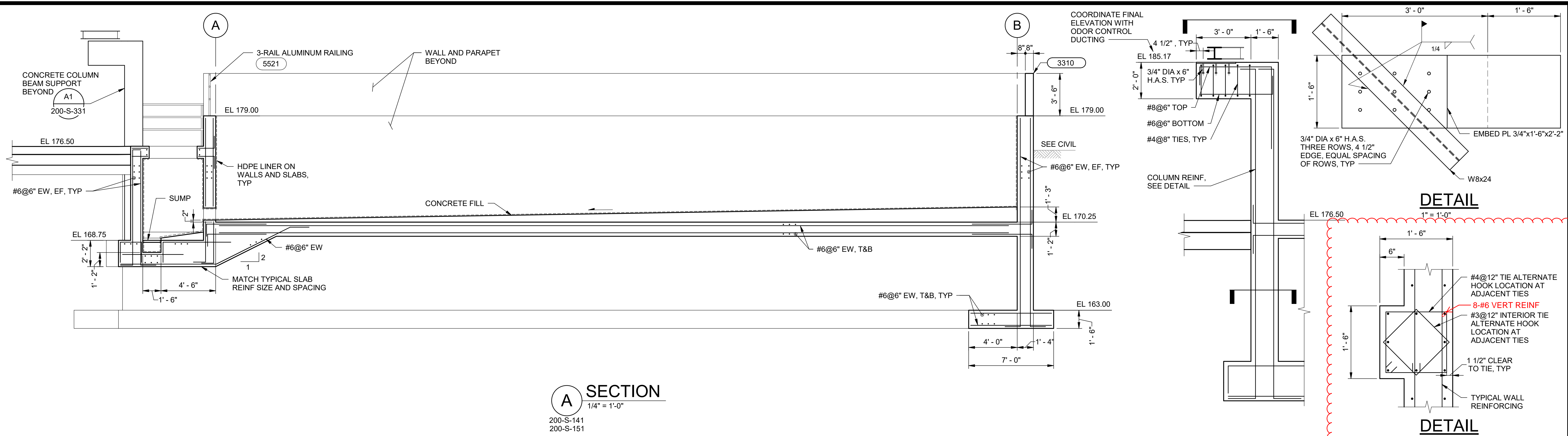
Except as modified in this Addendum, the ITB will remain in effect as originally written.

Clarifications which do not modify the ITB are as follows:

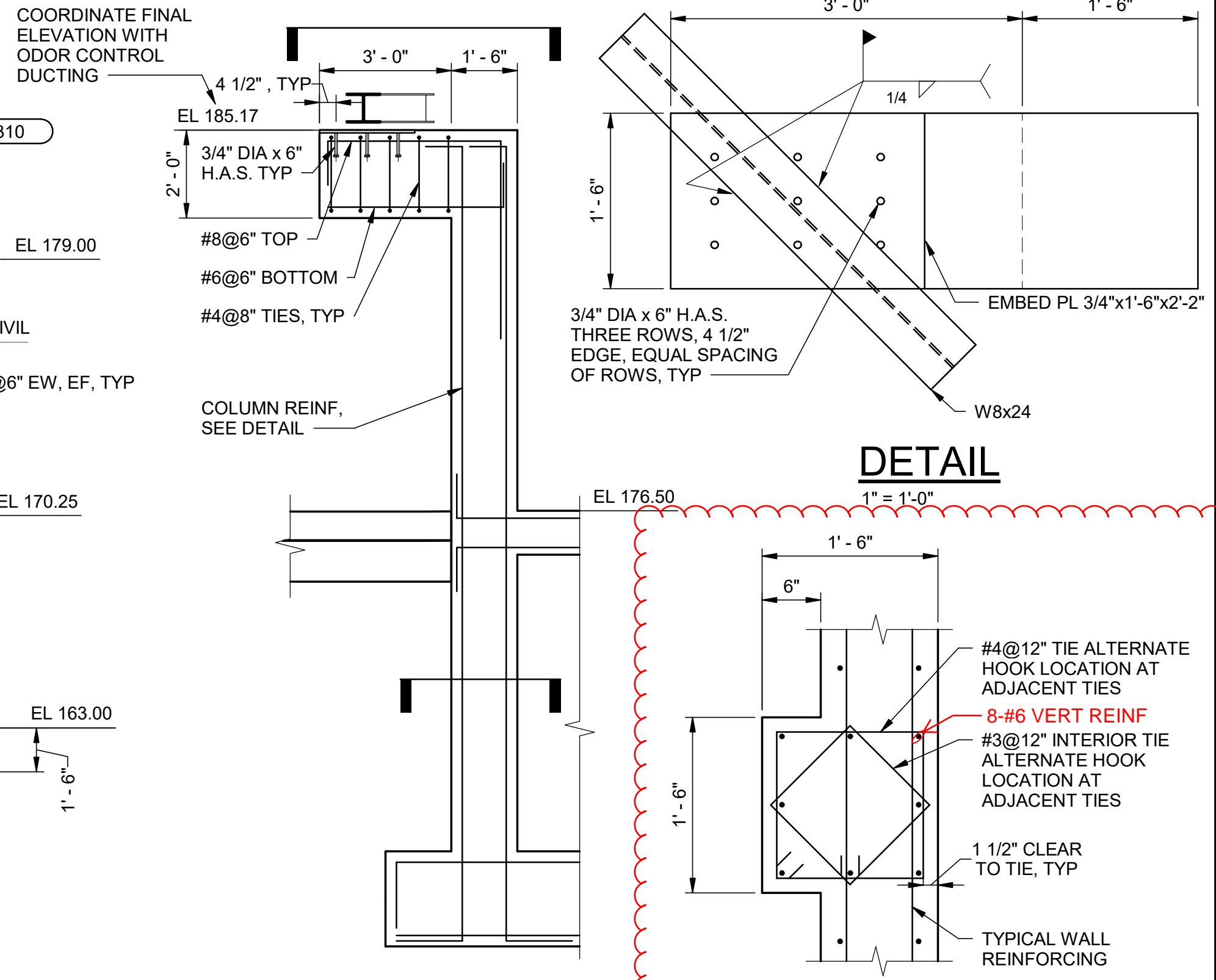
- 1. Question 1: Specification 16130 3.01 (E) (2C) Requires that all direct buried conduits must be type PCS. It is my understanding that that would encompass all the underground conduits for this project. Can you please confirm if that is the intention?

Answer 1: Buried conduit shall be SCH 40 PVC as modified in this Addendum.

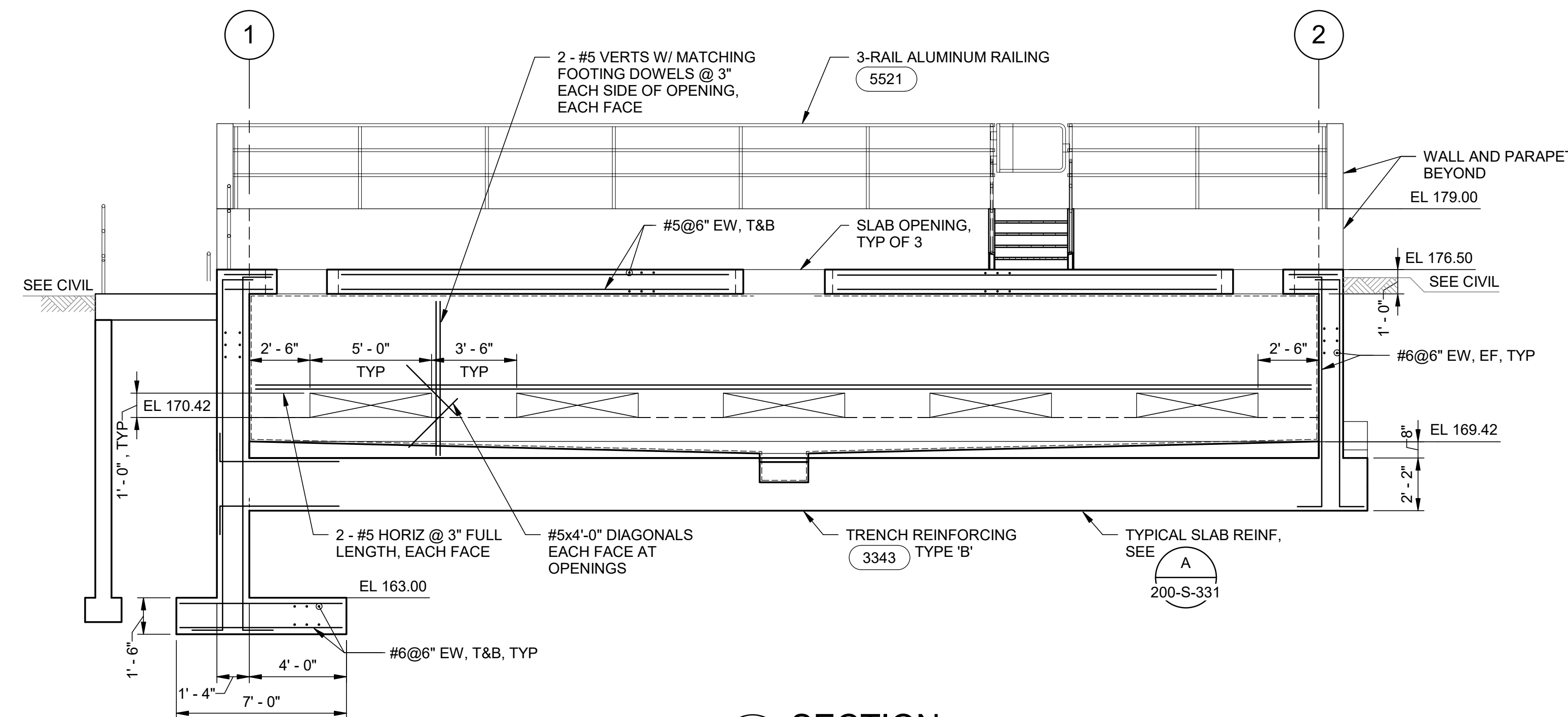
END OF ADDENDUM



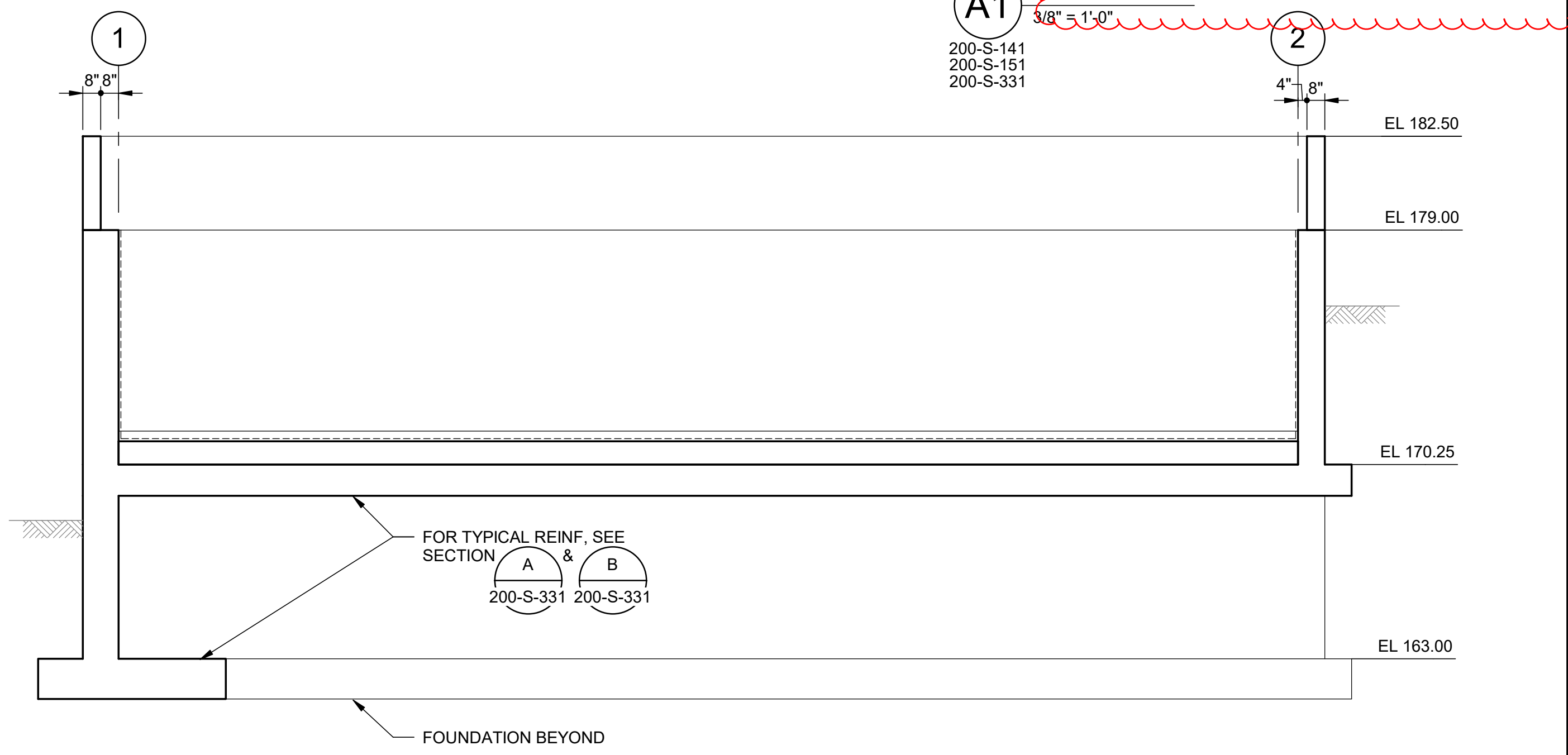
A SECTION
1/4" = 1'-0"
200-S-141
200-S-151



DETAIL A1
1" = 1'-0"
200-S-141
200-S-151
200-S-331



B SECTION
1/4" = 1'-0"
200-S-141
200-S-151



C SECTION
1/4" = 1'-0"
200-S-141
200-S-151

DRN: FG	ORIG DATE: OCTOBER 2024
DSN: KM	DWG # 200-S-331
CHK: AF	CAD FILE # 200-S-23Dn01_D3704505
APPD: CM	SCALE: 1/4" = 1'-0"

THIS BAR IS ONE INCH WHEN DRAWING IS FULL SCALE	
1	04/2026
REV #	DATE
DRN	APPD
DESCRIPTION	
ADDENDUM NO. 2	

Clean Water Services
2550 SW Hillsboro Hwy. Hillsboro, Oregon 97123-9379

PROJ NAME:
**CLEAN WATER SERVICES
DURHAM WRRF
ODOR CONTROL PHASE 3
HEADWORKS**

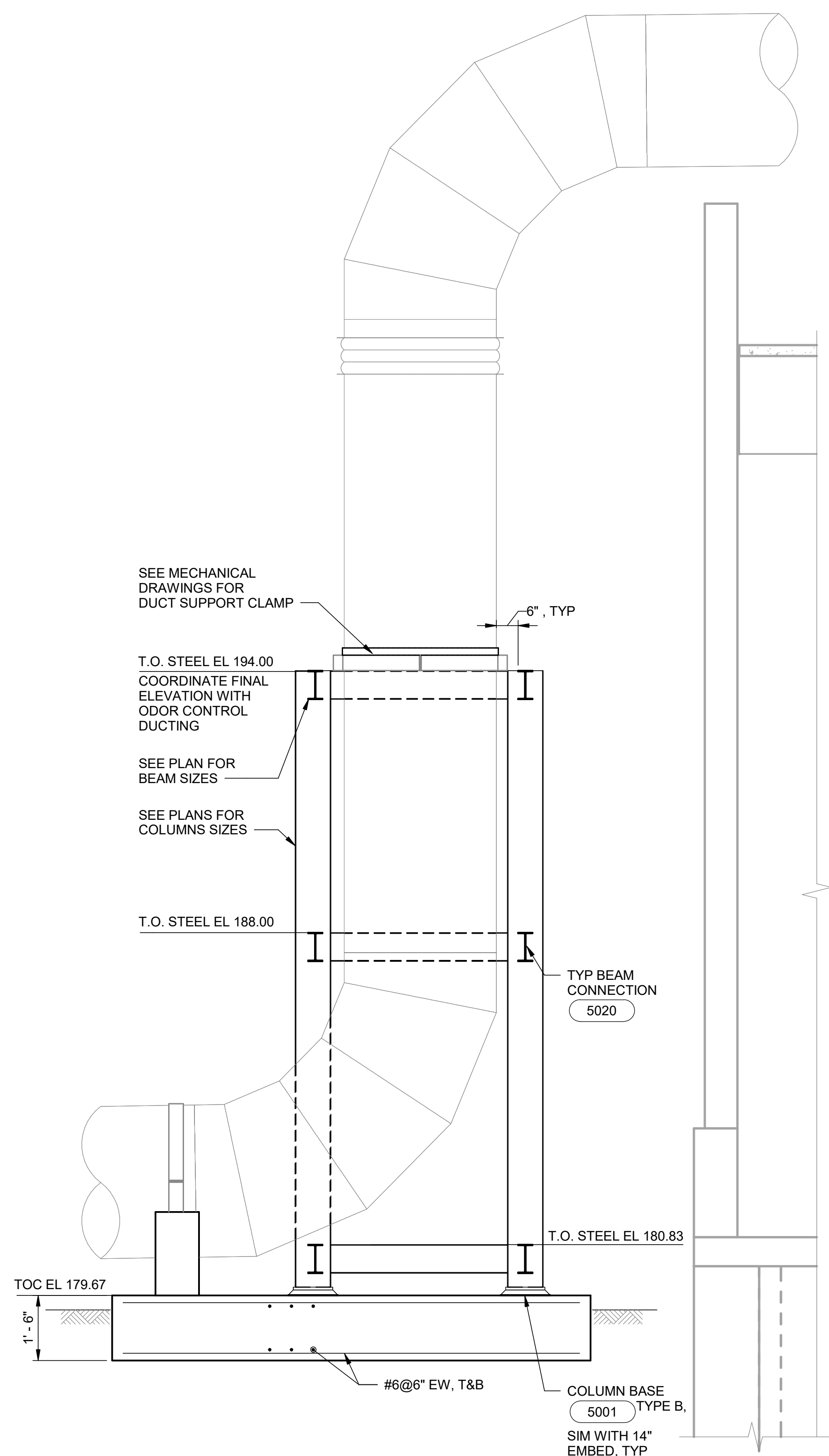
SHEET TITLE:
**STRUCTURAL
BIOFILTER
SECTIONS**

SHEET: 41 OF 73
PLOT DATE: 2024-10-25
PLC #
CWS PROJ # 7202

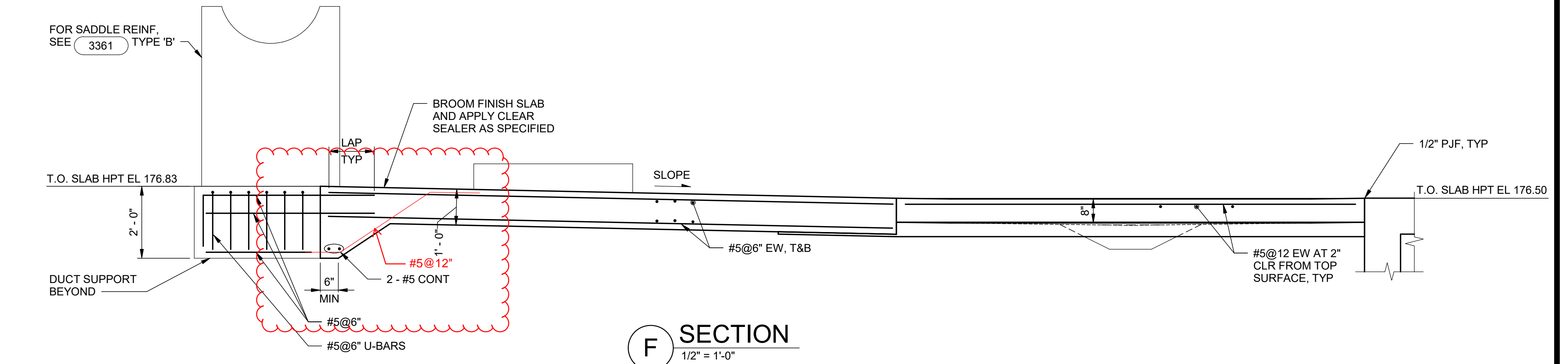
Jacobs
DWG #:
200-S-331

REGISTERED PROFESSIONAL ENGINEER
89107PE
Digital Signature
OREGON
JULY 11, 2019
KRISTINA MILAJ
EXP. 12-31-24
ENGR STAMP:

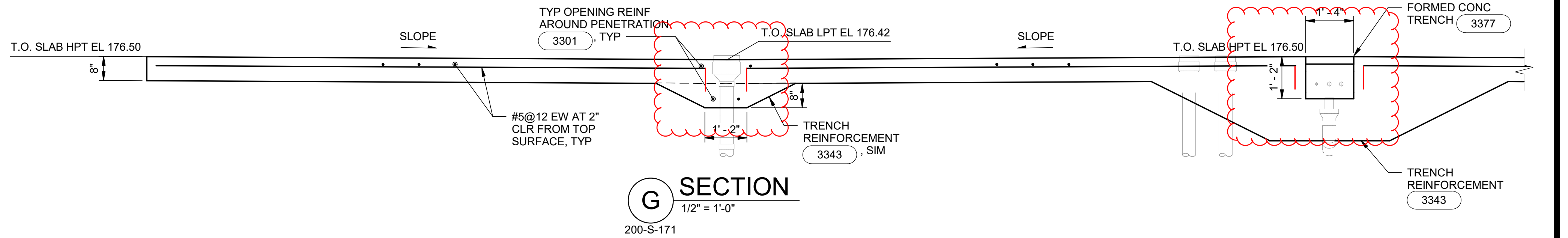
ISSUED FOR CONSTRUCTION



E SECTION
1/2" = 1'-0"
200-S-171



F SECTION
1/2" = 1'-0"
200-S-171



G SECTION
1/2" = 1'-0"
200-S-171

DRN: FG	ORIG DATE: OCTOBER 2024
DSN: KM	DWG # 200-S-333
CHK: AF	CAD FILE # 200-S-z3Dn02_D3704505
APPD: CM	SCALE: 1/2"=1'-0"

THIS BAR IS ONE INCH WHEN DRAWING IS FULL SCALE	
1	04/2026
REV #	DATE
DRN	APPD
DESCRIPTION	
ADDENDUM NO. 2	

Clean Water Services
2550 SW Hillsboro Hwy. Hillsboro, Oregon 97123-9379

PROJ NAME: CLEAN WATER SERVICES DURHAM WRRF
ODOR CONTROL PHASE 3 HEADWORKS

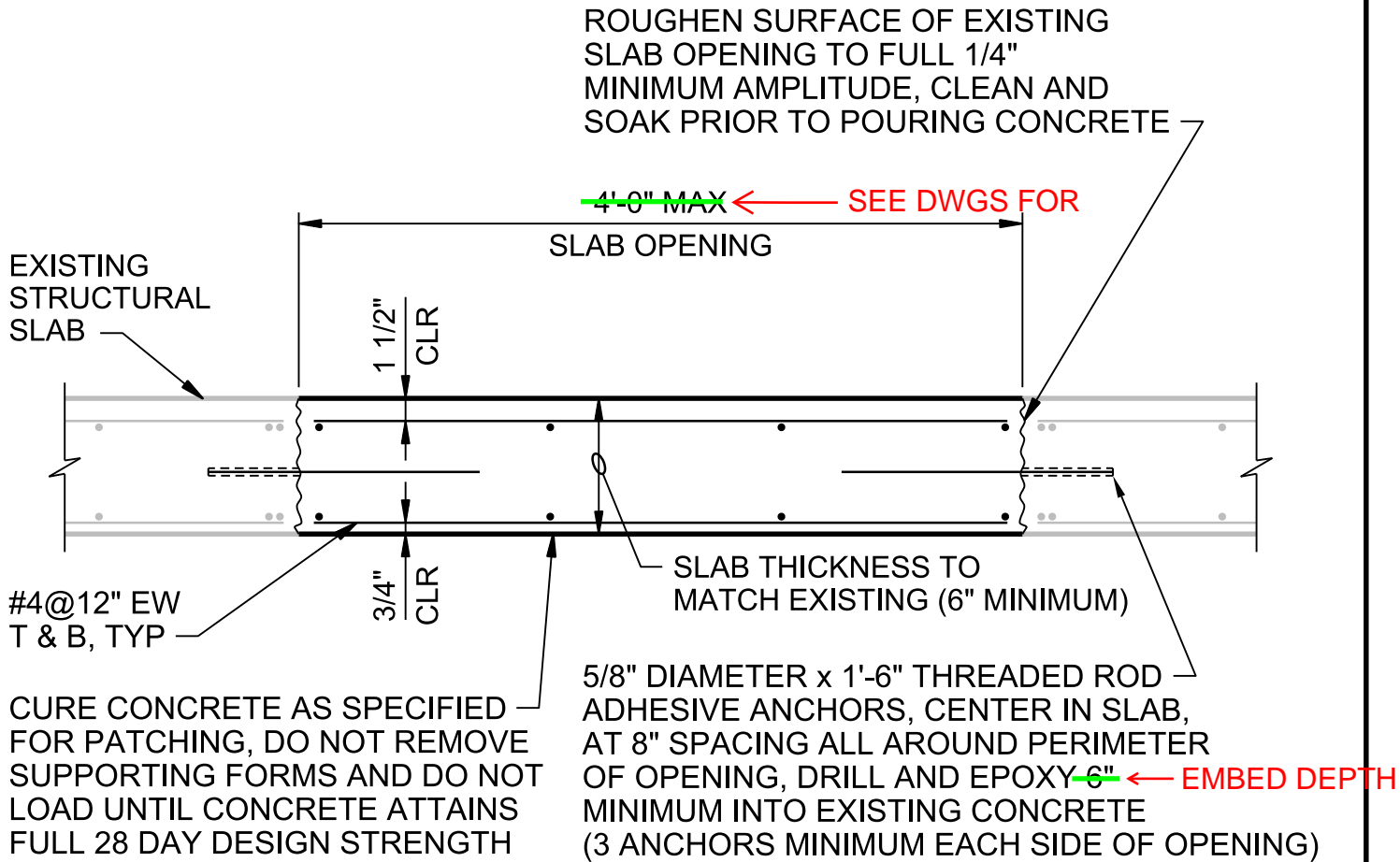
SHEET TITLE: STRUCTURAL BIOFILTER FAN PAD SECTIONS

SHEET: 44 OF 73
PLOT DATE: 2024-10-25
PLC #
CWS PROJ # 7202

Jacobs
DWG #: 200-S-333

REGISTERED PROFESSIONAL ENGINEER
89107PE
Digital Signature
OREGON
JULY 11, 2019
KRISTINA MILAJ
EXP. 12-31-24
ENGR STAMP:

ISSUED FOR CONSTRUCTION



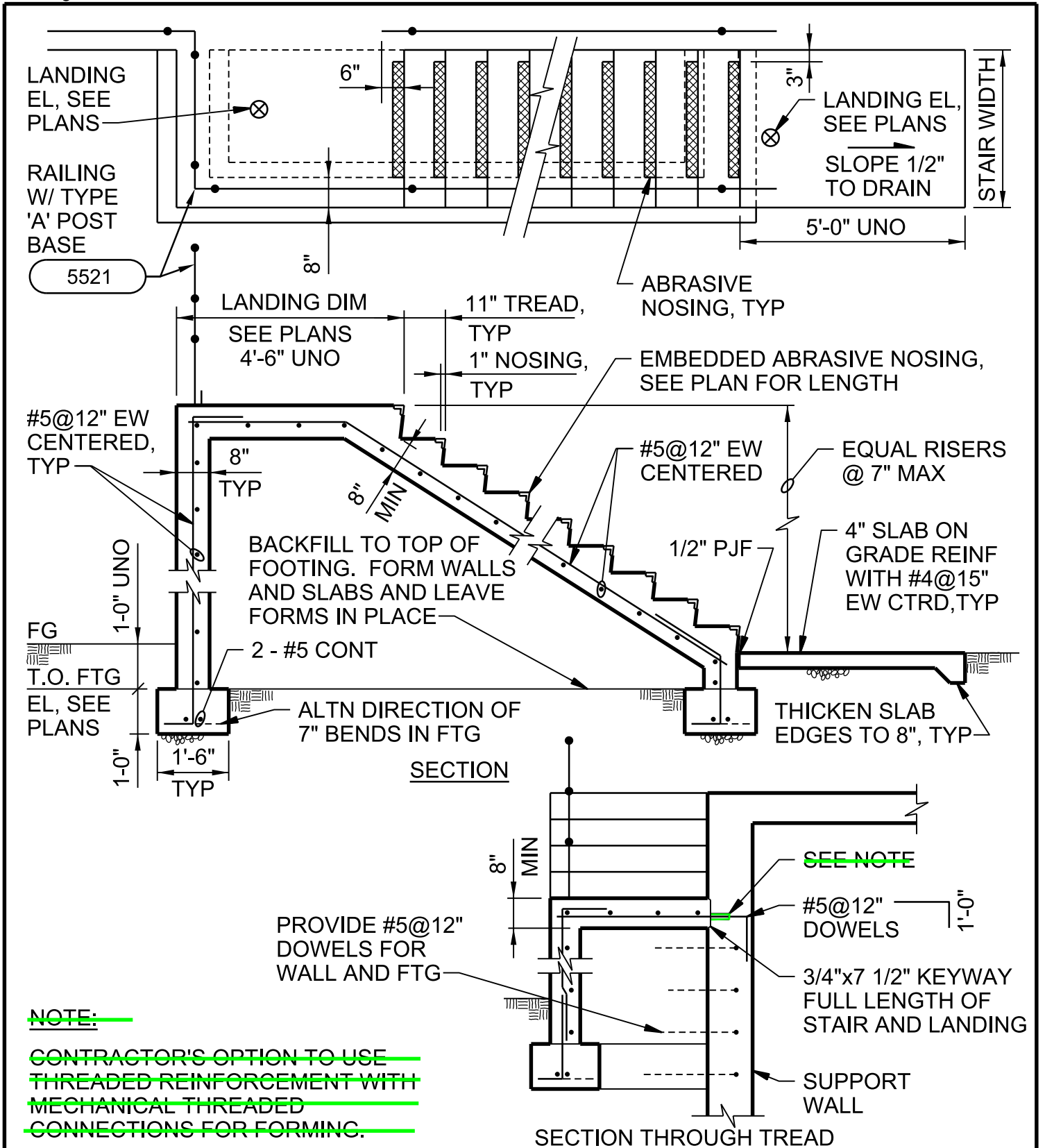
NOTE:
 PROVIDE SHORING UNTIL CONCRETE HAS REACHED 28-DAY COMPRESSIVE STRENGTH.

EXISTING SLAB OPENING REPAIR

NTS

CLEAN WATER SERVICES
 DURHAM WRRF
 ODOR CONTROL PHASE 3 HEADWORKS

3271



NOTE:

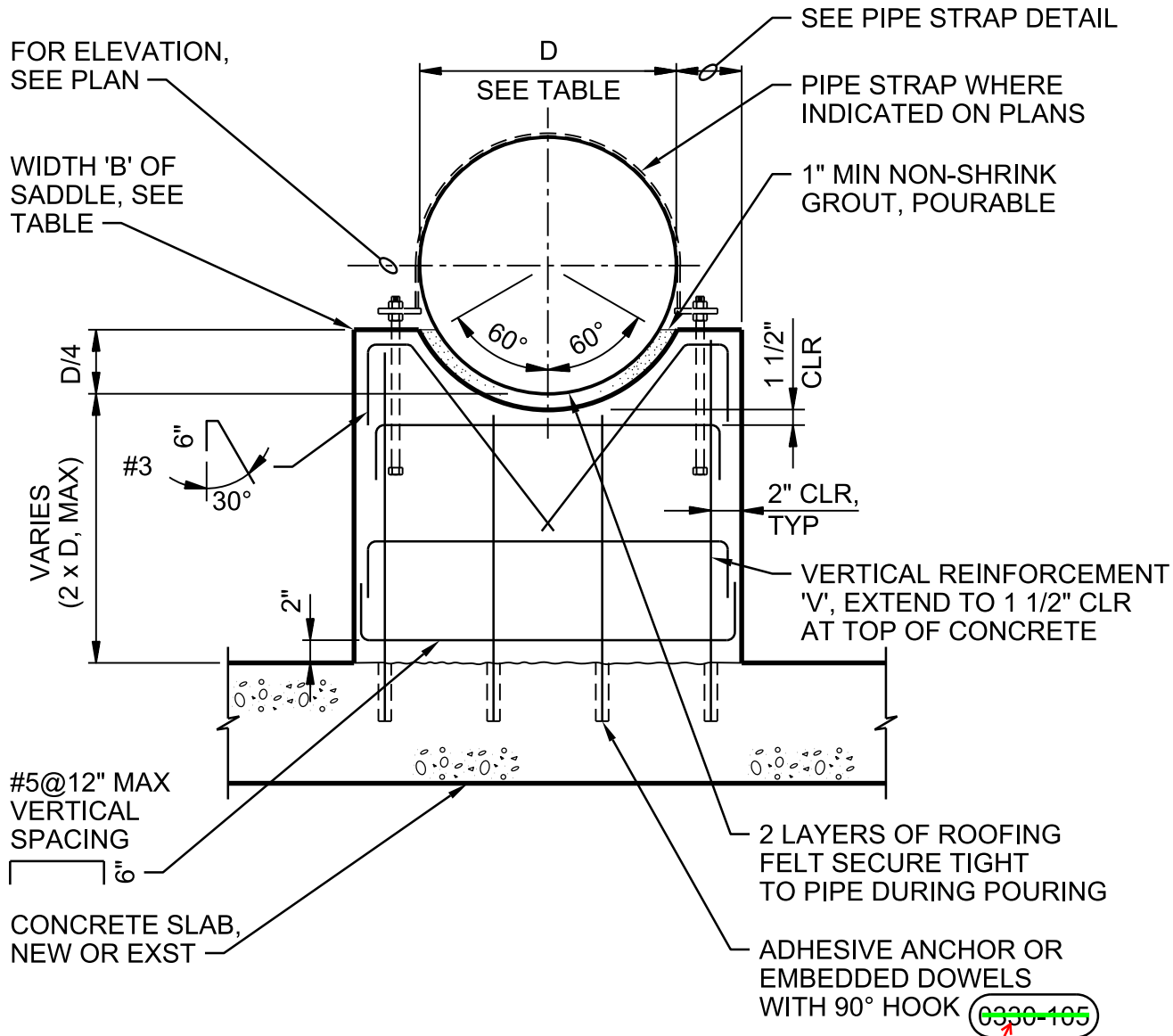
~~CONTRACTOR'S OPTION TO USE
 THREADED REINFORCEMENT WITH
 MECHANICAL THREADED
 CONNECTIONS FOR FORMING.~~

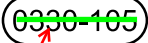
CONCRETE STAIR - WITH CLOSURE WALL

NTS

CLEAN WATER SERVICES
 DURHAM WRRF
 ODOR CONTROL PHASE 3 HEADWORKS

3348



3265 

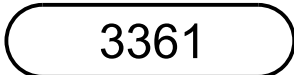
TYPE 'A' SADDLE

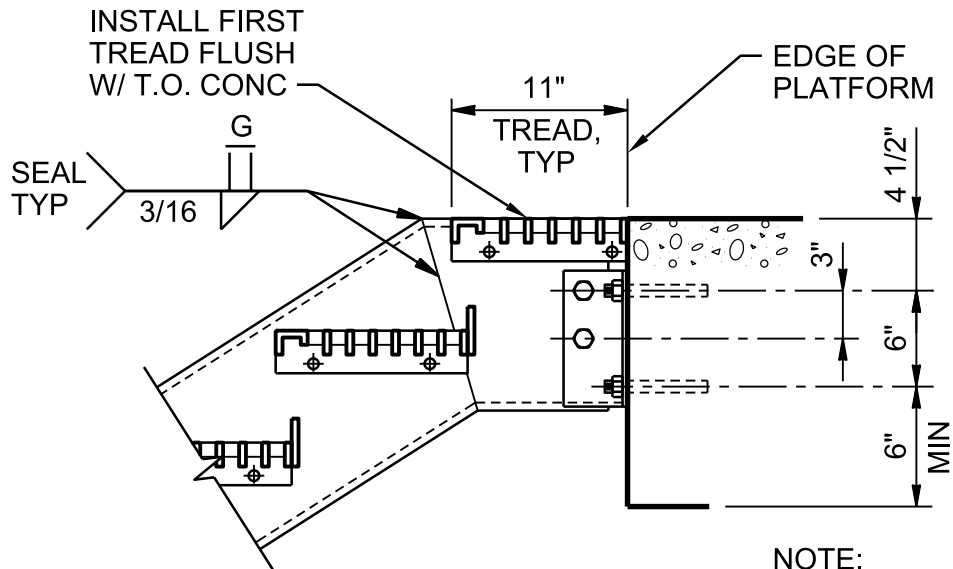
PIPE SUPPORT - CONCRETE SADDLE

NTS

DETAIL 1 OF 4

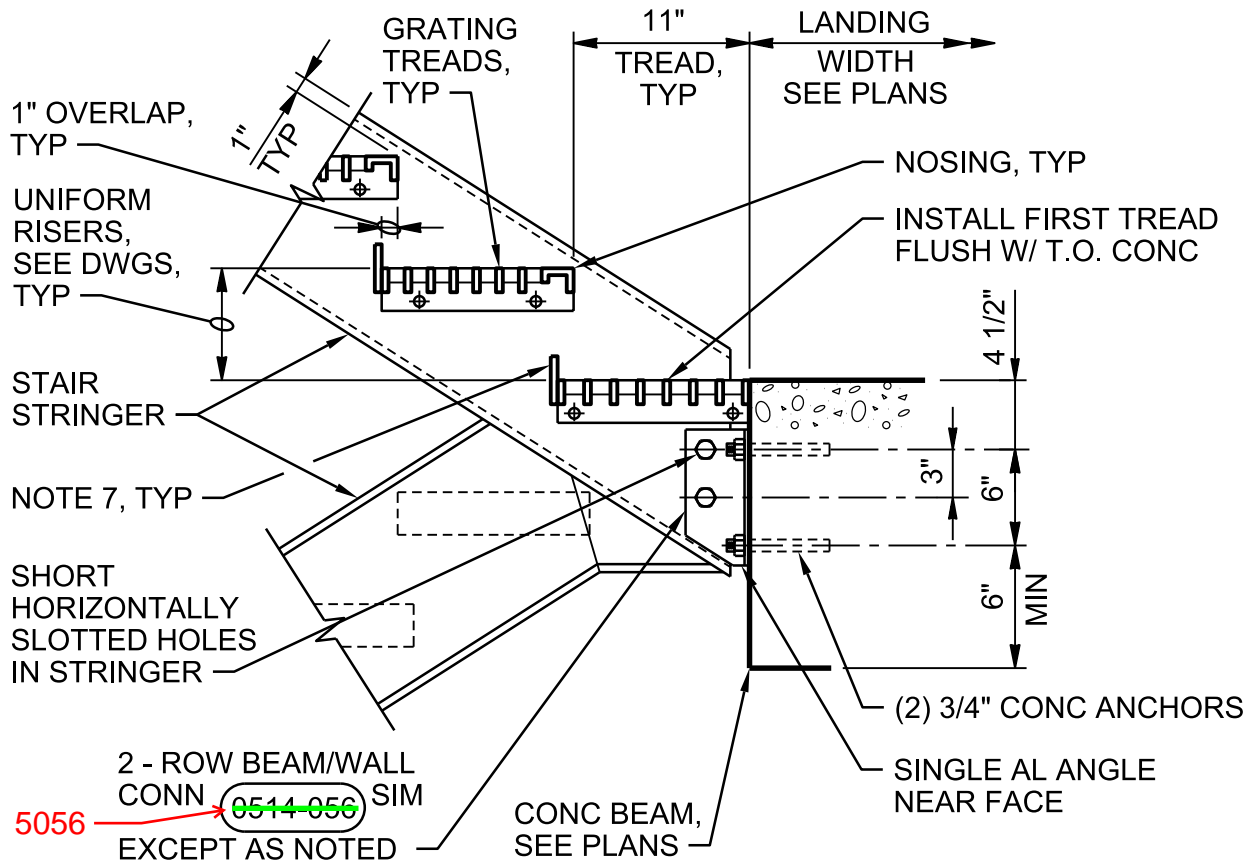
CLEAN WATER SERVICES
 DURHAM WRRF
 ODOR CONTROL PHASE 3 HEADWORKS





TOP CONNECTION - CONCRETE

NOTE:
FOR NOTES NOT SHOWN
SEE LANDING CONNECTION.



LANDING CONNECTION - CONCRETE

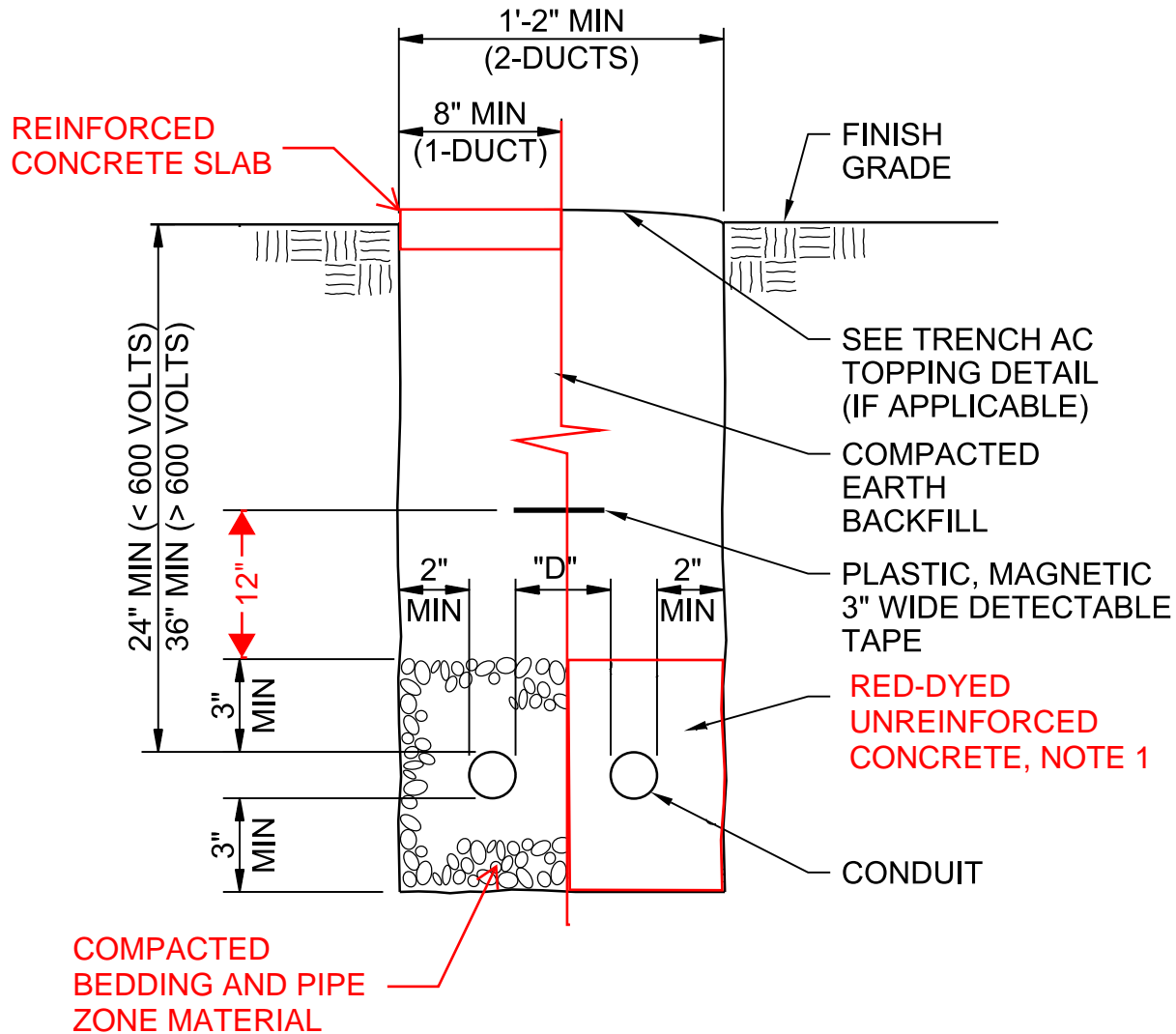
STAIR DETAILS - ALUMINUM

NTS

DETAIL 2 OF 4

CLEAN WATER SERVICES
DURHAM WRF
ODOR CONTROL PHASE 3 HEADWORKS

5501



NOTES:
 1. PROVIDE RED-DYED CONCRETE ENCASEMENT OF DIRECT BURIED CONDUITS WHERE CONDUITS EXTEND PAST CONCRETE SLABS.

D = 3" MIN FOR 2" AND LARGER CONDUIT

D = 2" MIN FOR 1 1/2" AND SMALLER CONDUIT

TRENCH AND CONDUIT PLACEMENT

NTS