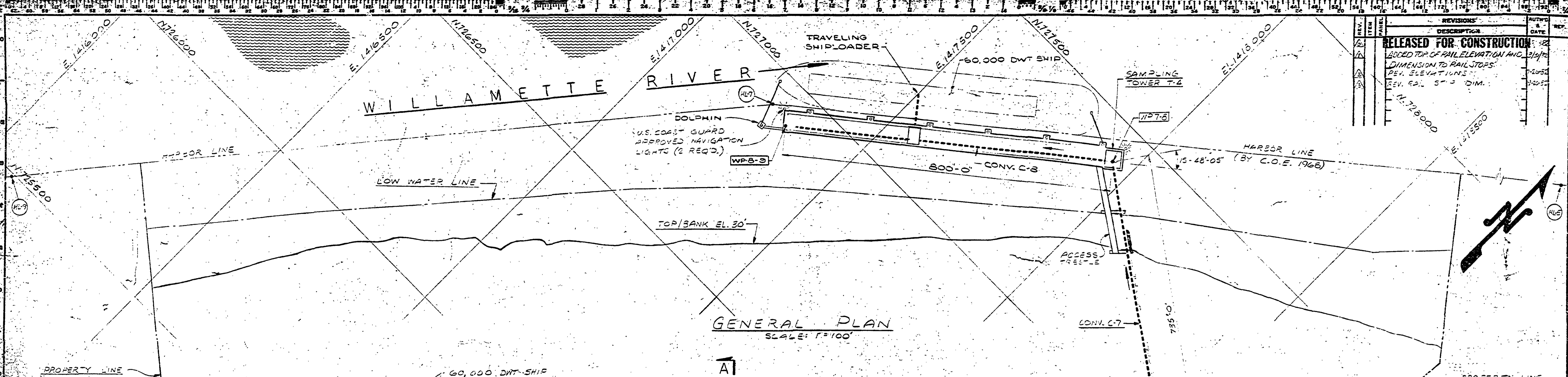
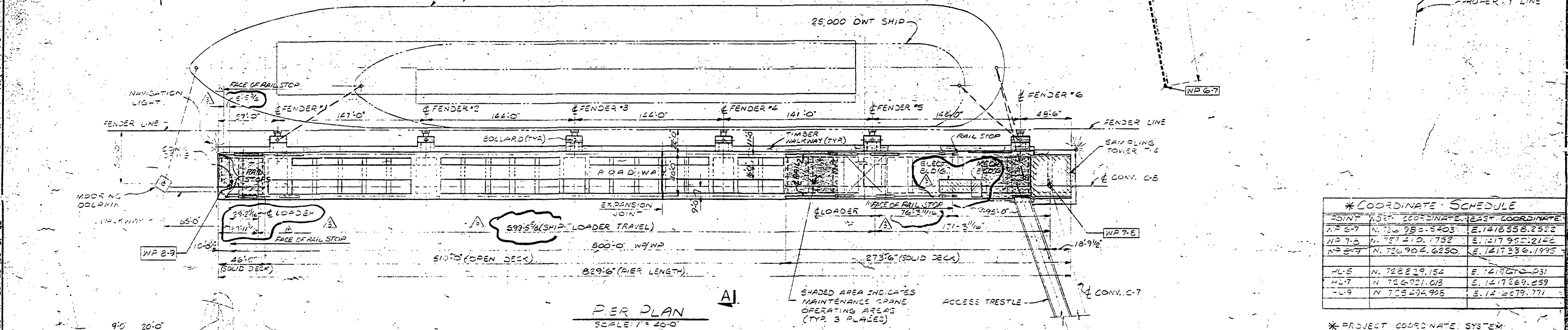


REV.	DATE	DESCRIPTION	BY	CHK.
1		RELEASED FOR CONSTRUCTION		
2		ADDED TOP OF RAILELEVATION AND DIMENSION TO RAIL STOPS		
3		REV. ELEVATIONS		
4		REV. P.L. 5'-3" DIM.		



GENERAL PLAN
SCALE: 1"=100'

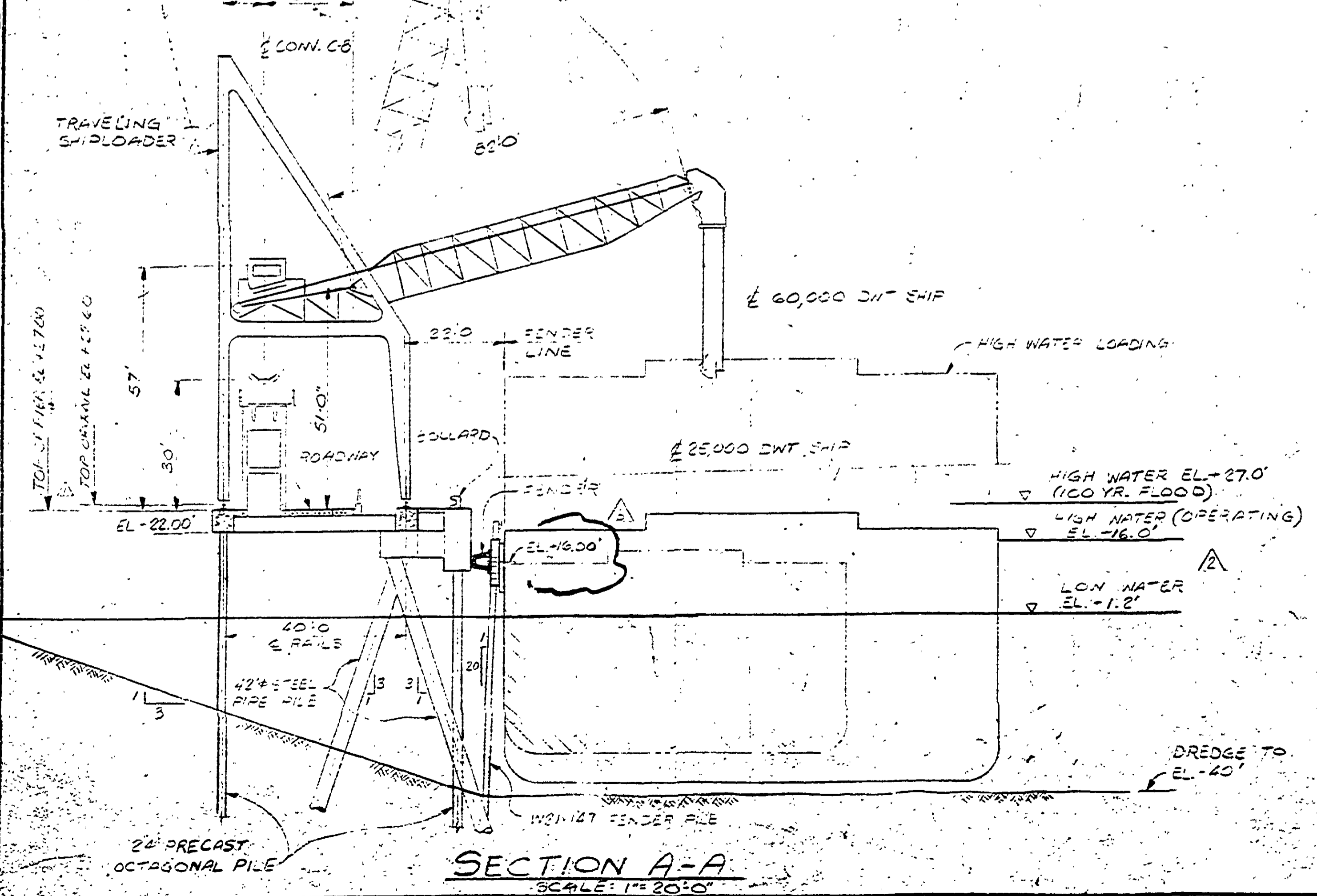


P.L. PLAN
SCALE: 1"=20'

*** COORDINATE SCHEDULE**

POINT	NORTH COORDINATE	EAST COORDINATE
WP 6-7	N. 726 985.5403	E. 1478 558.2522
WP 7-8	N. 727 210.1730	E. 1479 955.2142
WP 8-9	N. 726 902.6250	E. 1473 336.1995
HL-5	N. 722 829.152	E. 1476 070.031
HL-7	N. 726 921.013	E. 1478 69.239
HL-9	N. 725 679.908	E. 1476 679.771

* PROJECT COORDINATE SYSTEM



SECTION A-A
SCALE: 1"=20'

CONTR. NO.	REFERENCE DWGS.	SHEET
0	1	1
1	2	2
2	3	3
3	4	4
4	5	5
5	6	6

5124

NO. 5124 CONTRACT NO. SHOP BILL NO. ECJLMRS

PACIFIC COAL CORPORATION
COAL EXPORT TERMINAL
PORTLAND, OREGON
GENERAL PLAN & CROSS-SECTION

SCALE AS NOTED. APP'D [Signature] DATE 7/8

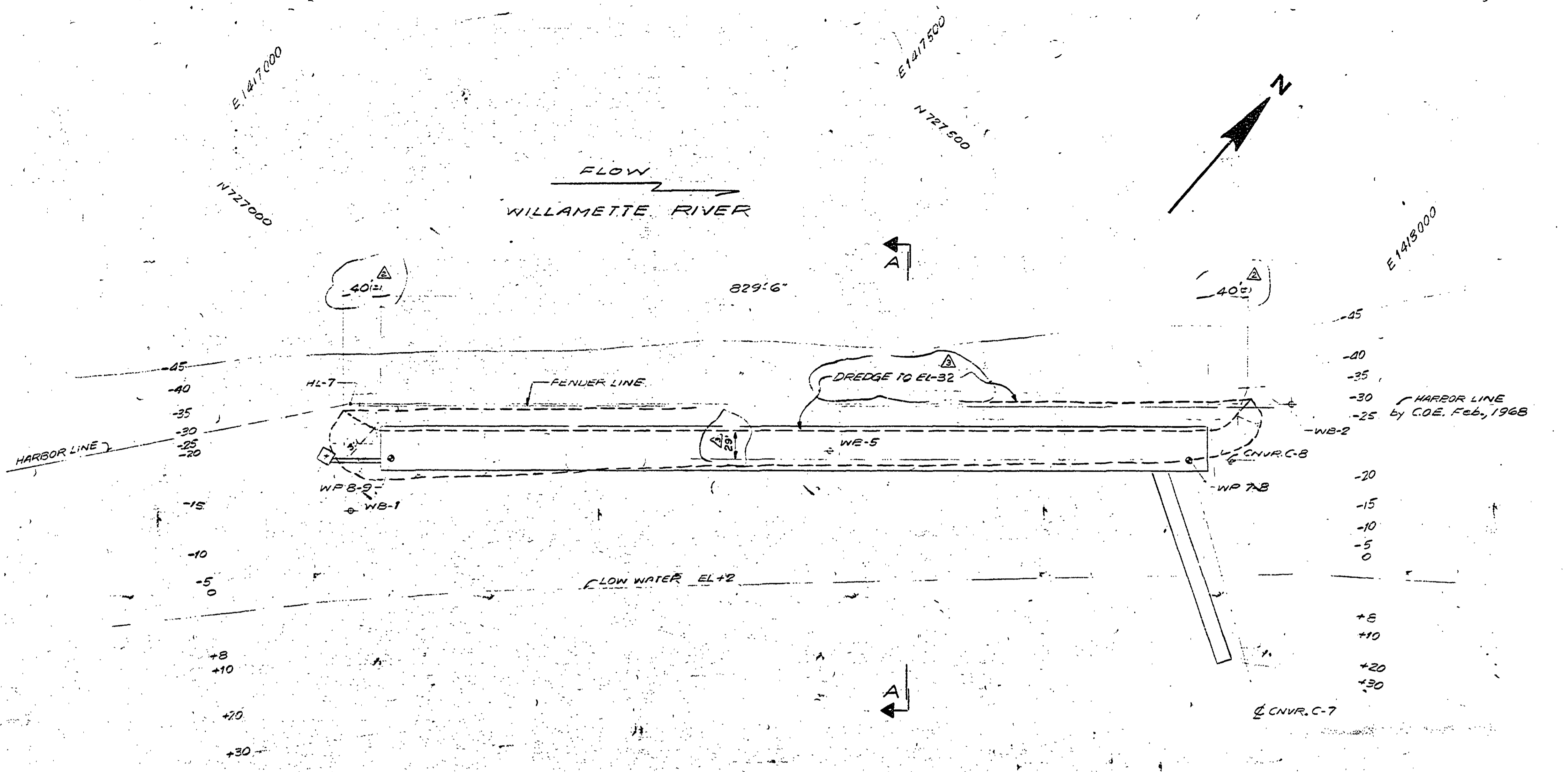
DR. EJS 3-10-82
CHK. WPG 3-15-82

Dravo CORPORATION, PITTSBURGH, PA. DW DEEC

DRAWING NO. 5124-7-056-3
REV. 3

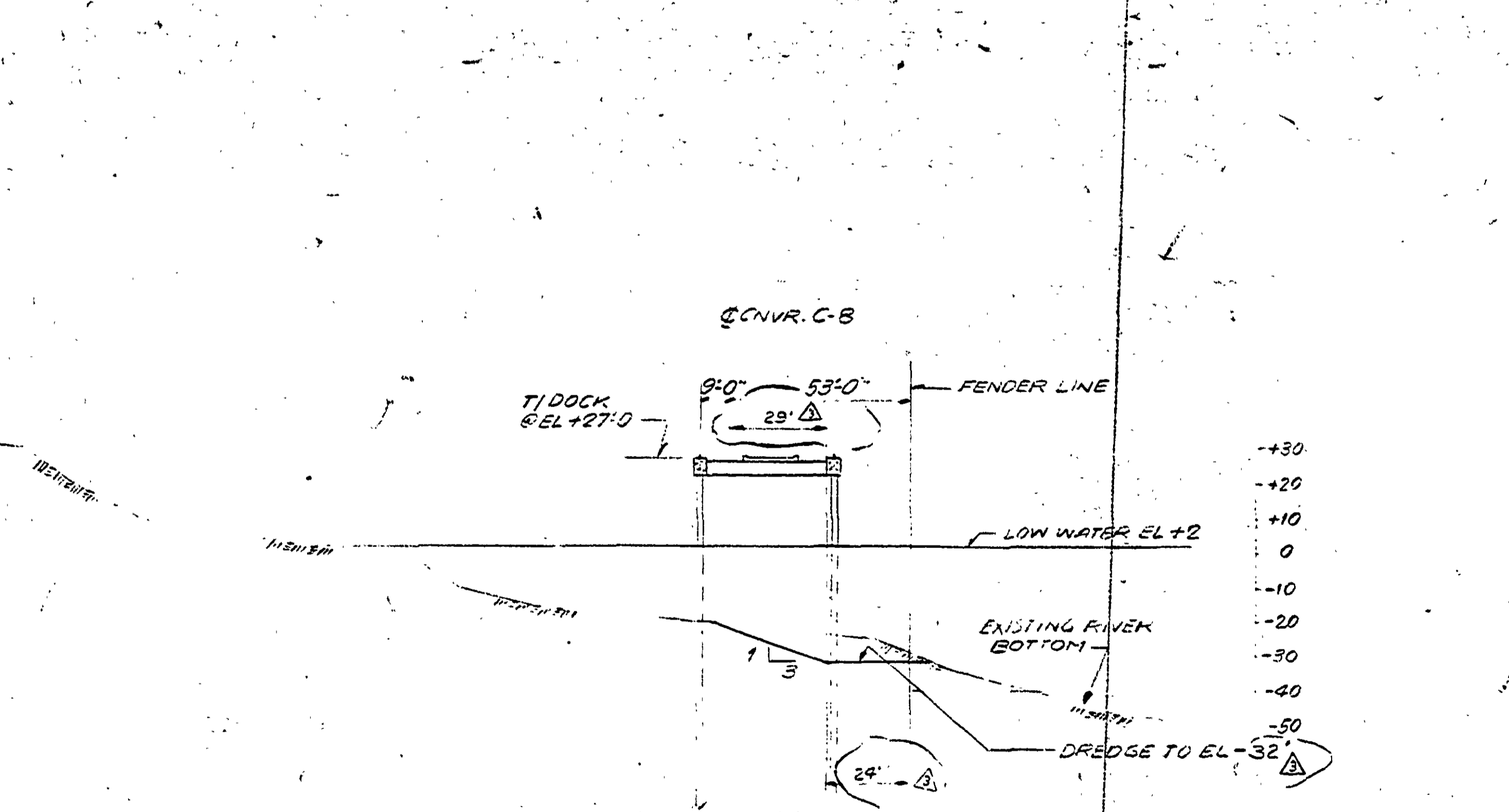


REV.	ITEM	DESCRIPTION	AUTH'D	DATE	REF.
		RELEASED FOR CONSTRUCTION		3-12-82	
		ADDED NOTE #2		3-31-82	
		CHANGED DREDGE EL TO -37		4-27-82	1/4
		FOUND LOCATION OF T&E OF			
		W&E RECALC'D			
		CHANGED DREDGE EL. TO -32'		6-25-82	1/2

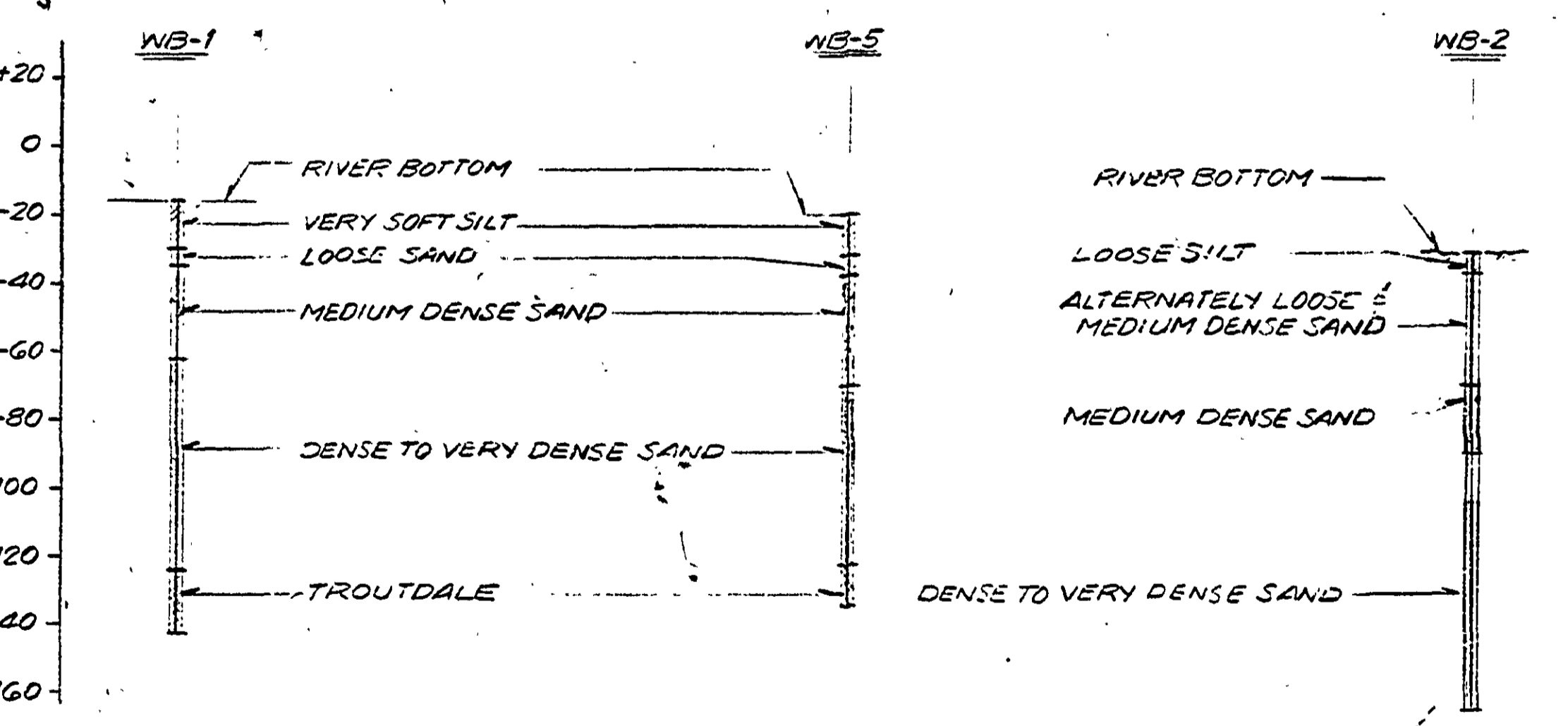


- GENERAL NOTES:**
- FOR COORDINATES OF HL-7, WP 7-8, AND WP 8-9 SEE DWG. OSG.
 - CONTOURS IN RIVER ARE BASED UPON SOUNDINGS BY PETTJOHN ENGINEERING ON OCT. 9-13, 1981.
 - SOUNDING SHALL BE TAKEN BY CONTRACTOR JUST PRIOR TO DREDGING TO ESTABLISH ACTUAL QUANTITIES.

PLAN-DREDGING LIMITS
SCALE: 1"=60'



SECTION A-A
SCALE: 1"=30'

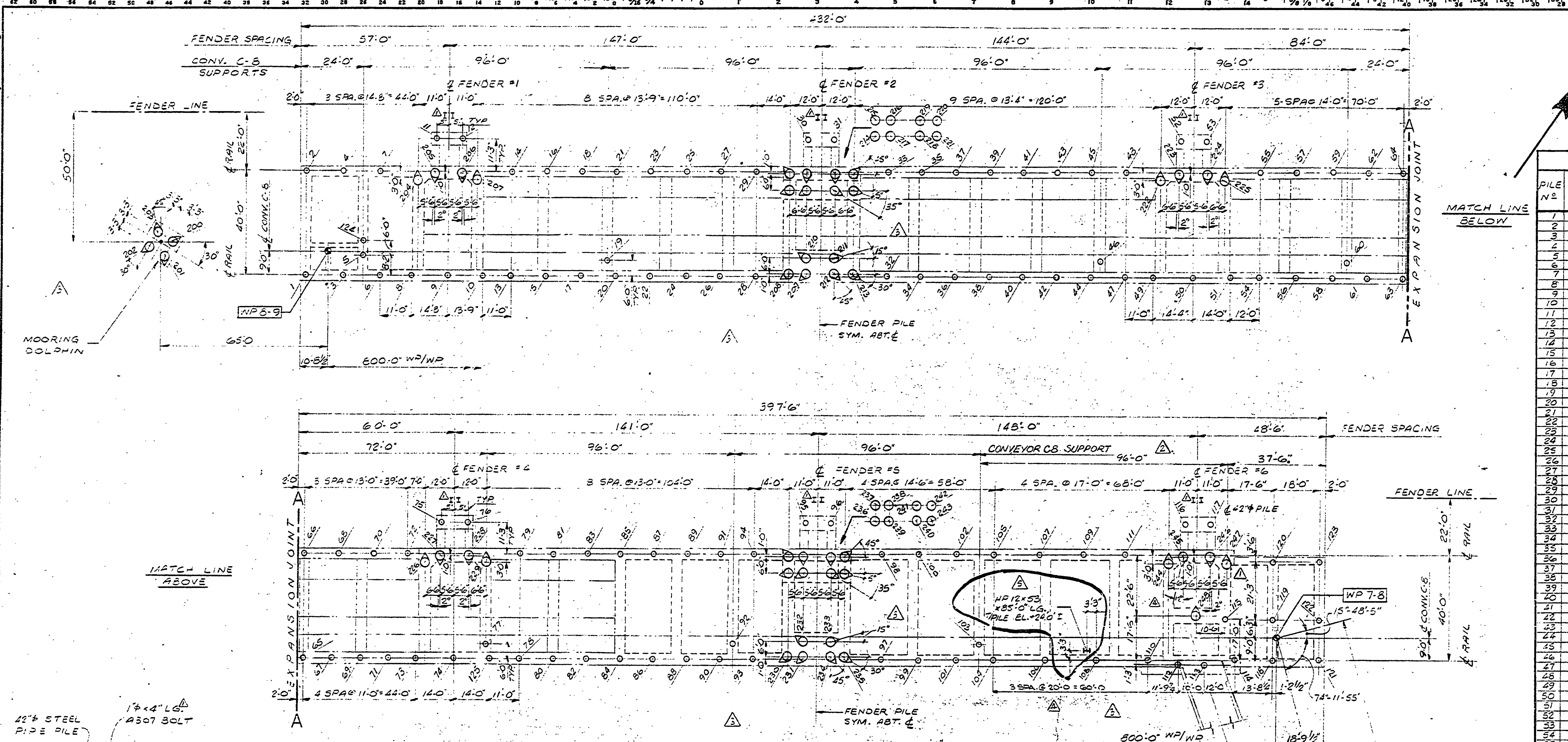


BORING DATA
SCALE: 1"=40'

CONTR. NO.	REFERENCE DWGS.	SHEET
0	1	2
1	3	4
2	5	6
3	7	8
4	9	
5		

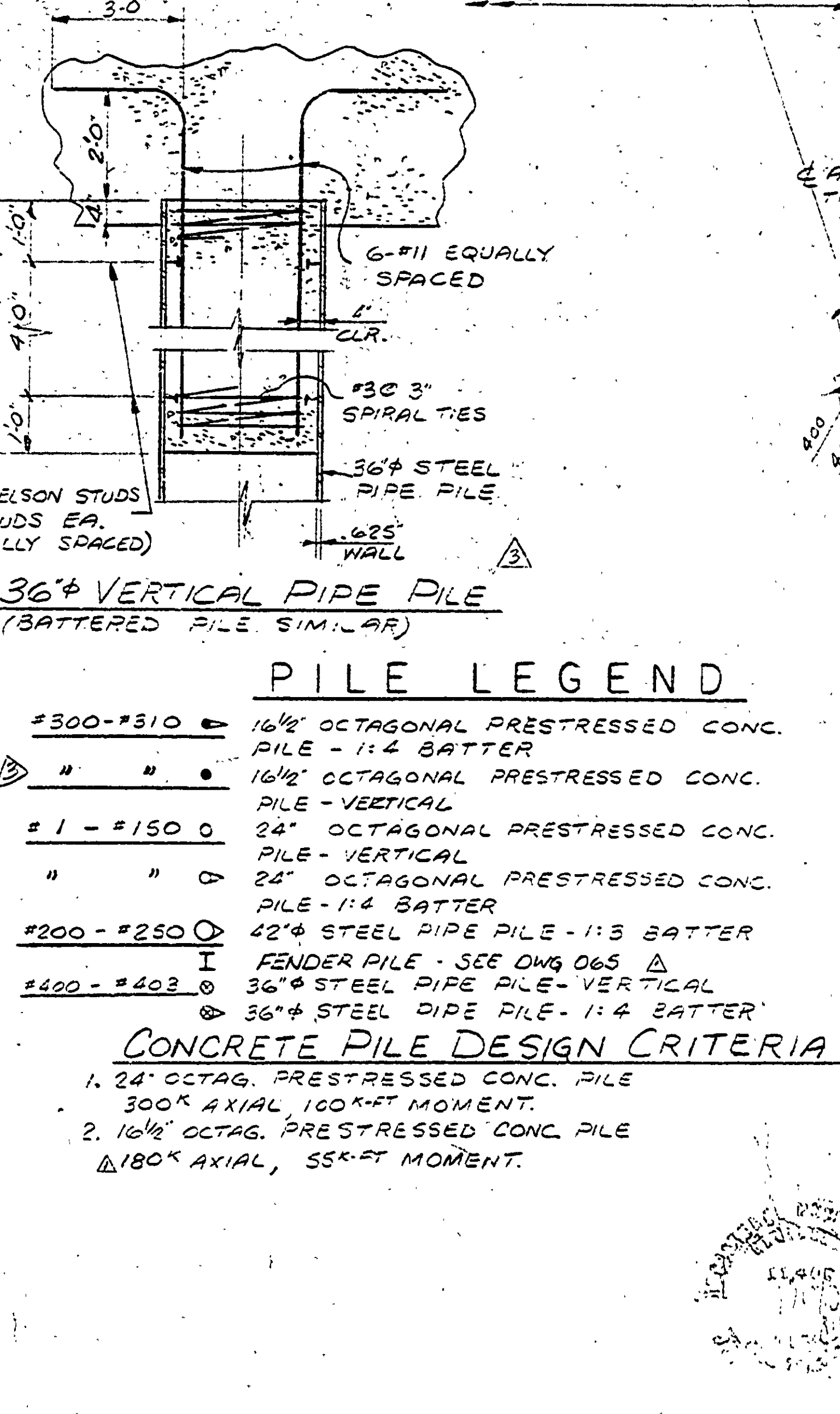
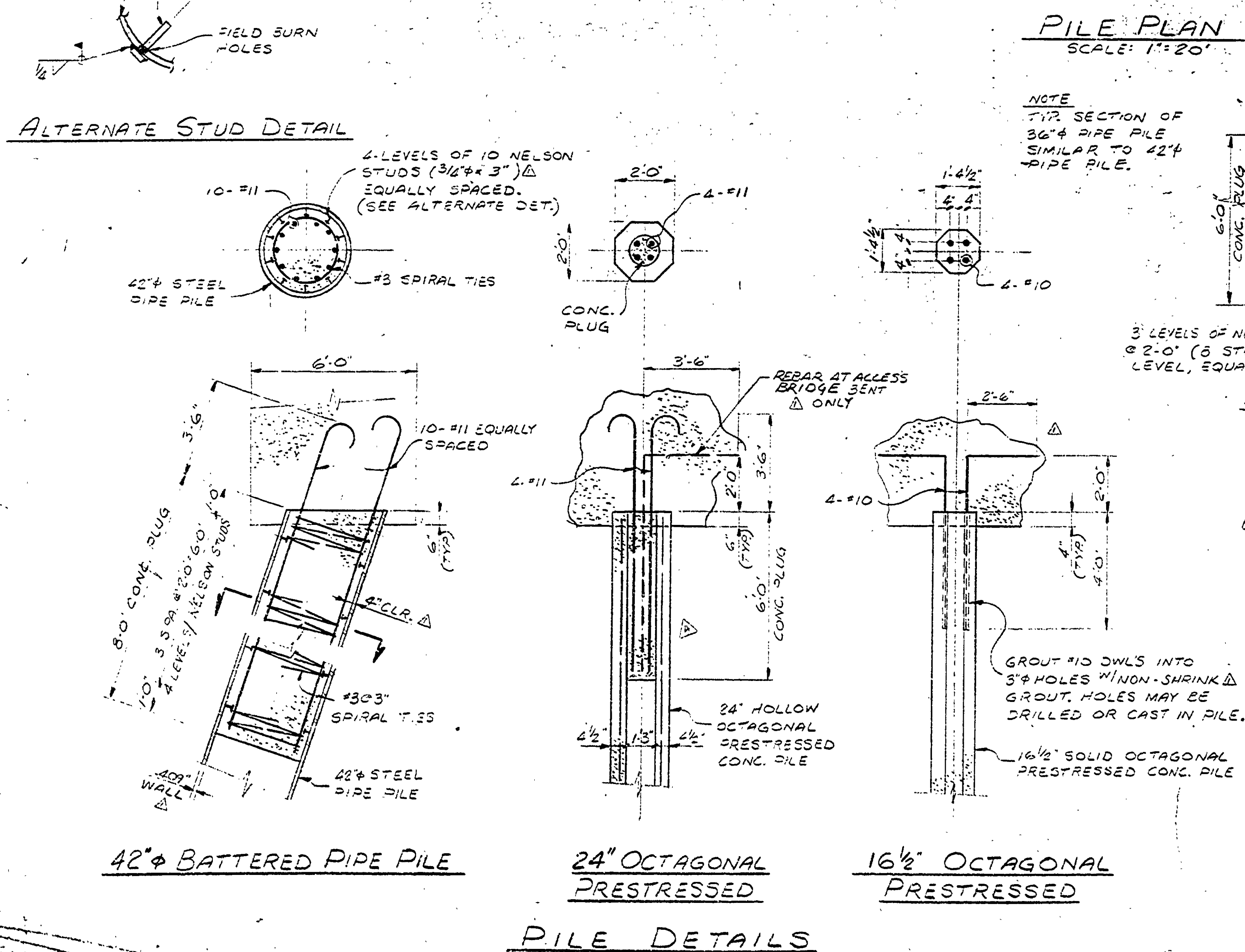
NO. CONTRACT		W-5124	
REV'D. SHOP BILL NO.		R.C.J.L.M.R.	
PACIFIC COAL CORPORATION COAL EXPORT TERMINAL PORTLAND, OREGON DREDGING PLAN			
SCALE AS NOTED		APP'D: [Signature]	
DR. BODY		DATE: 3/13/82	
CHK. WPG		3/75/82	
DRAWING NO.		EP-8603	
DRAWING NO.		5124-7-057	
REV.		3	

DRAVO CORPORATION, PITTSBURGH, PA. DIV. DEFC



REV.	DATE	DESCRIPTION	BY	CHK
1	3/1/82	RELEASED FOR CONSTRUCTION		
2	4/16/82	ADDED FENDER PILE & REVISED		
3	4/16/82	PILE ANCHORAGE CORRECTED DIM. LINE		
4	7/20/82	DELETED SAND FILL IN 22" PILE		
5	8-11-82	REV. PILE ORIENTATION FENDERS 2-5		
6	9-2-82	REV. PILE C ACCESS TRESTLE		
7	9-2-82	CHANGED PILE SPACING & ACCESS		
8	9-2-82	ADDED HP12x53 PILE		

PILE NO.	TOP ELEV. (+)	TIP ELEVATION		PILE NO.	TOP ELEV. (+)	TIP ELEVATION	
		DESIGN PRELIM. (-)	DESIGN FINAL (-)			DESIGN PRELIM. (-)	DESIGN FINAL (-)
1	22.5'	105'		101	22.5'	105'	
2				102			
3				103			
4				104			
5				105			
6				106			
7				107			
8				108			
9				109			
10	22.5'	105'		110			
11	13.5'	80'		111	22.5'		
12	13.5'	80'		112	19.5'		
13	13.5'	80'		113	19.5'		
14	22.5'	105'		114	19.5'		
15				115	22.5'	105'	
16				116	13.5'	80'	
17				117	13.5'	80'	
18				118	23.0'	105'	
19				119			
20				120			
21				121			
22				122			
23				123	23.0'		
24				124	22.5'		
25				125	22.5'		
26				126	22.5'		
27				127			
28				128			
29	22.5'	105'		129	23.0'	105'	
30	13.5'	80'					
31	13.5'	80'					
32	22.5'	105'					
33							
34							
35				200	22.5'	85'	
36				201		115'	
37				202		115'	
38				203	22.5'	85'	
39				204	16.5'	95'	
40				205			
41				206			
42				207	16.5'		
43				208	22.5'		
44				209			
45				210			
46				211			
47				212			
48				213	22.5'		
49				214	16.5'		
50				215			
51	22.5'	105'		216			
52	13.5'	80'		217			
53	13.5'	80'		218			
54	22.5'	105'		219			
55				220			
56				221			
57				222			
58				223			
59				224			
60				225			
61				226			
62				227			
63				228			
64				229	16.5'		
65				230	22.5'		
66				231			
67				232			
68				233			
69				234			
70				235	22.5'		
71				236	16.5'		
72				237			
73				238			
74	22.5'	105'		239			
75	13.5'	80'		240			
76	13.5'	80'		241			
77	22.5'	105'		242			
78				243			
79				244			
80				245			
81				246			
82				247	16.5'		
83				248	23.1'	95'	
84							
85							
86							
87							
88							
89				300	27.65'	85'	
90				301			
91				302			
92				303			
93				304	27.65'	85'	
94	22.5'	105'					
95	13.5'	80'					
96	13.5'	80'					
97	22.5'	105'		400	24.33'	105'	
98				401			
99				402	22.55'	105'	
100	22.5'	105'					



PILE PLAN
SCALE: 1" = 20'

NOTE
TYP. SECTION OF 36" PIPE PILE SIMILAR TO 42" PIPE PILE.

36" VERTICAL PIPE PILE
(BATTERED PILE SIMILAR)

CONCRETE PILE DESIGN CRITERIA

- 24" OCTAG. PRESTRESSED CONC. PILE
300K AXIAL, 100K-FT MOMENT.
- 16 1/2" OCTAG. PRESTRESSED CONC. PILE
180K AXIAL, 55K-FT MOMENT.

CONTRACT NO. REFERENCE DWGS. SHEET

CONTR. NO. REFERENCE DWGS. SHEET

SCALE 1" = 20' **APP'D.** *[Signature]* **DR**

DR EVS 3-7-82 **DATE** 3-7-82

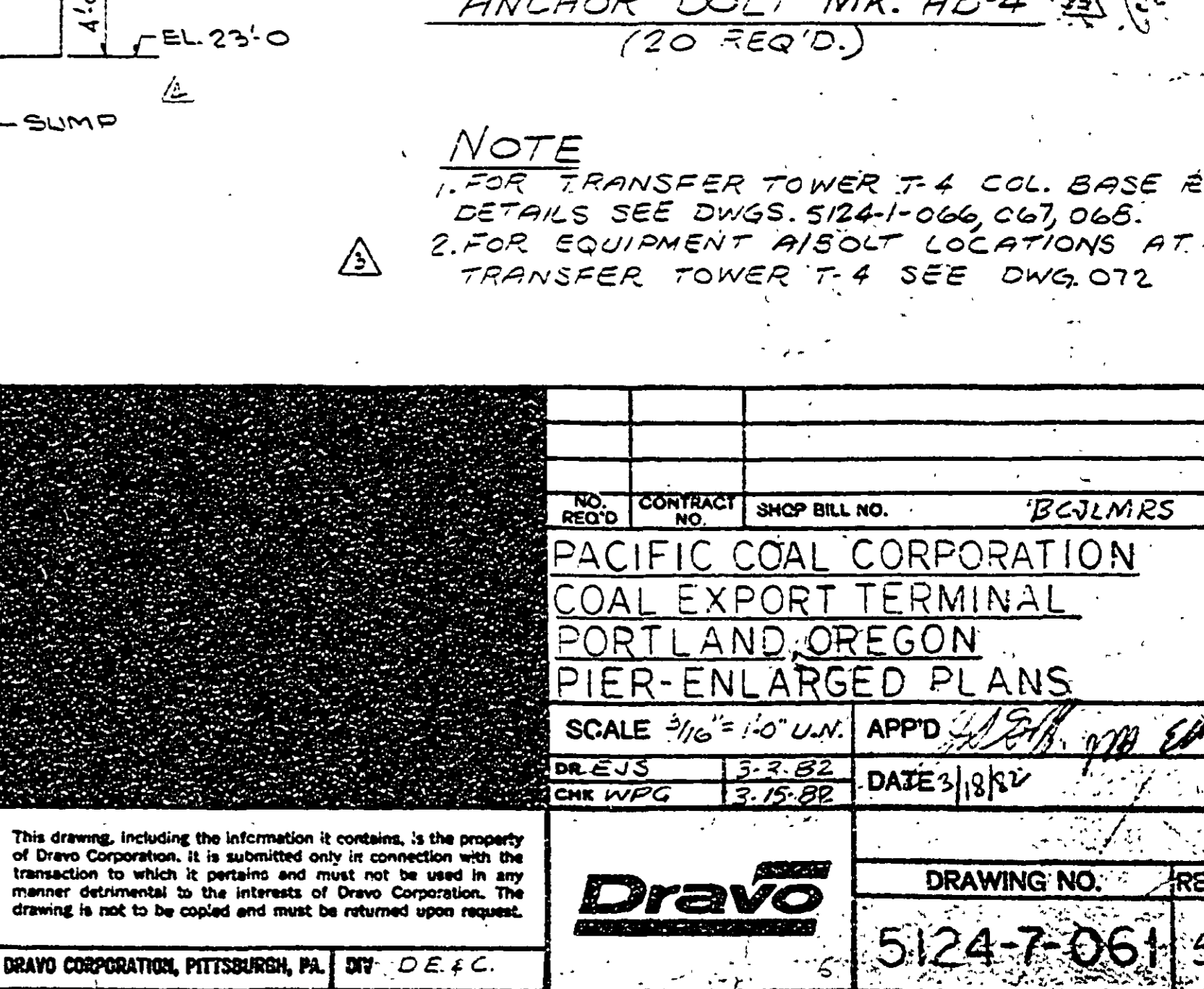
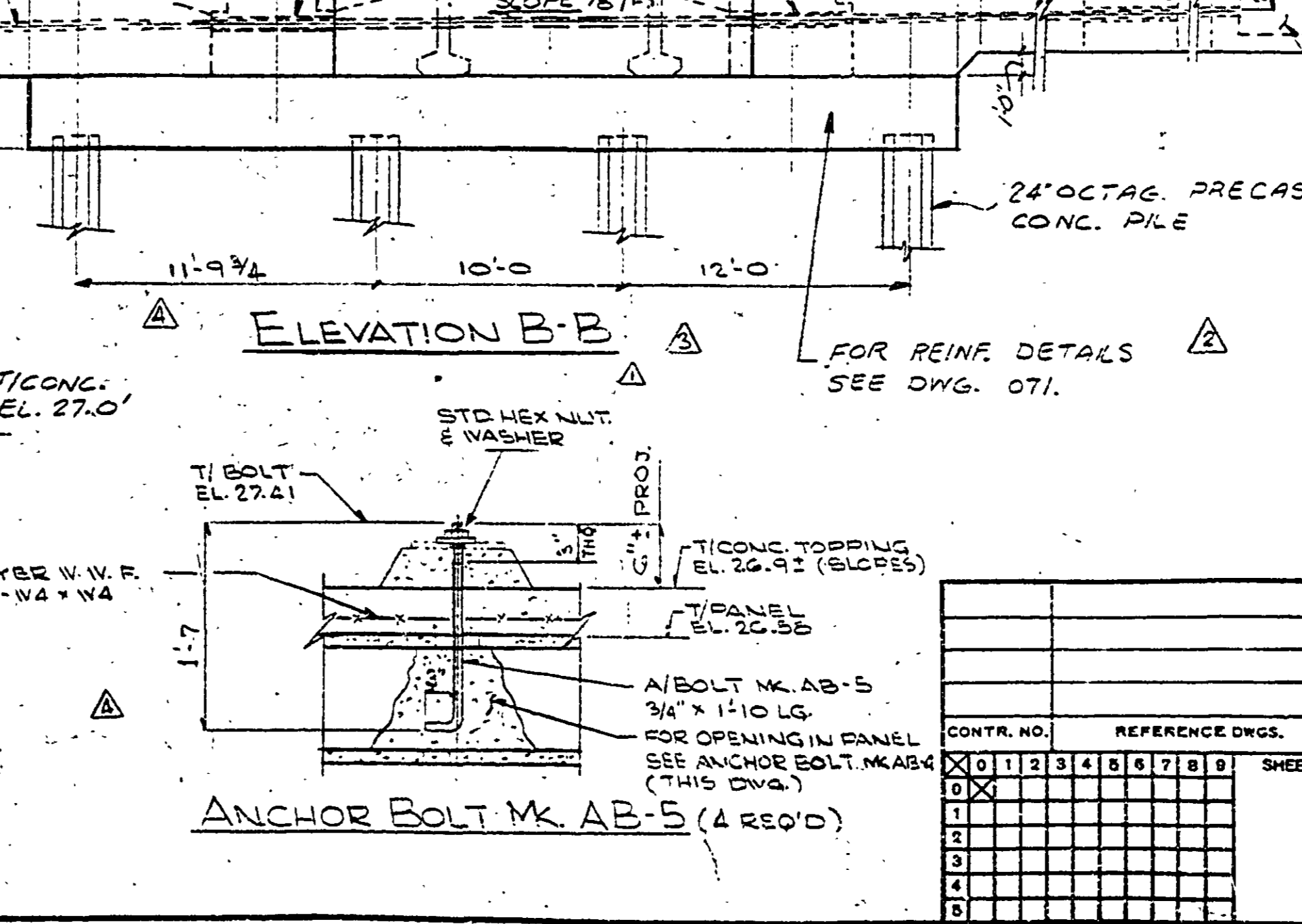
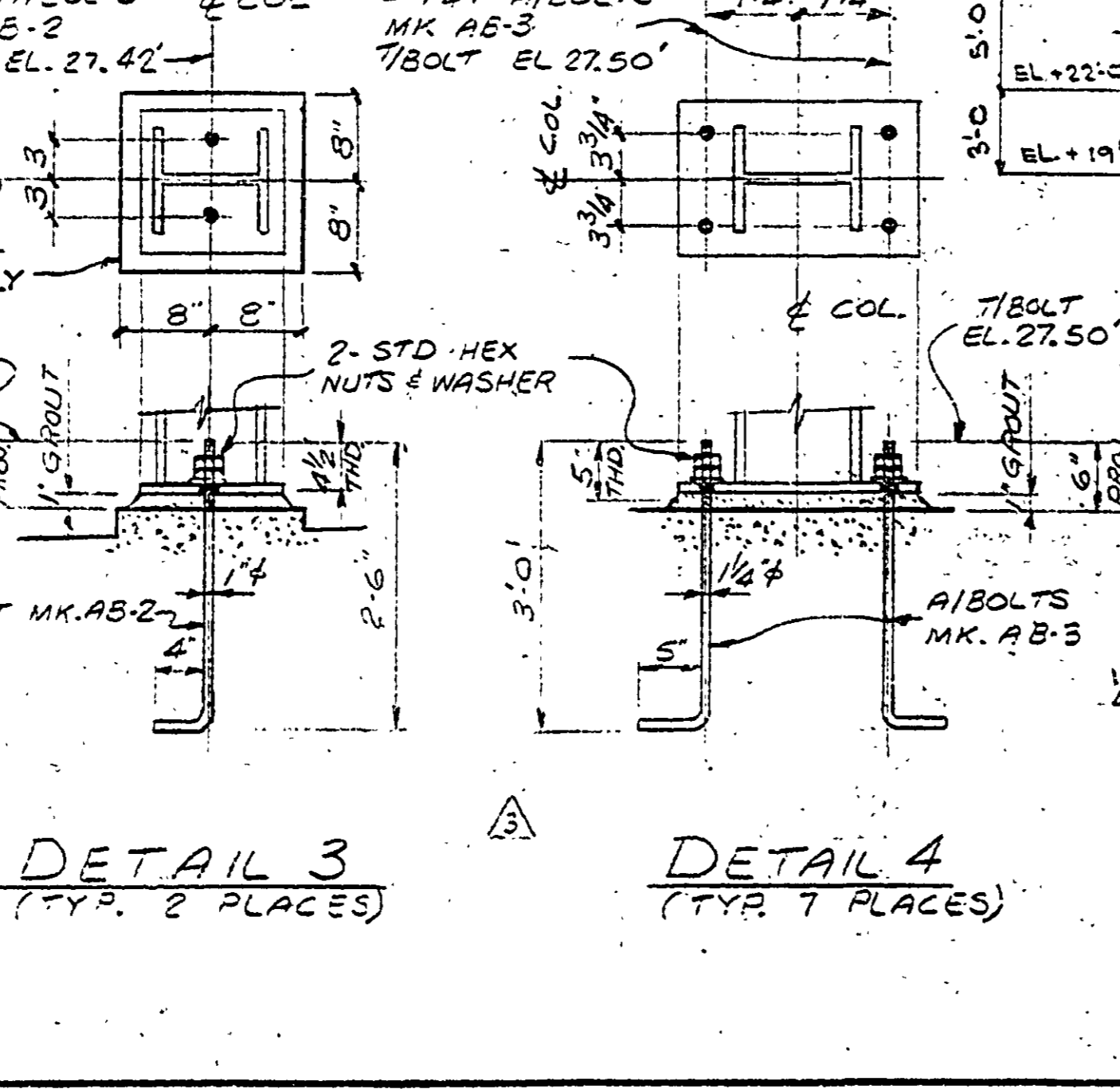
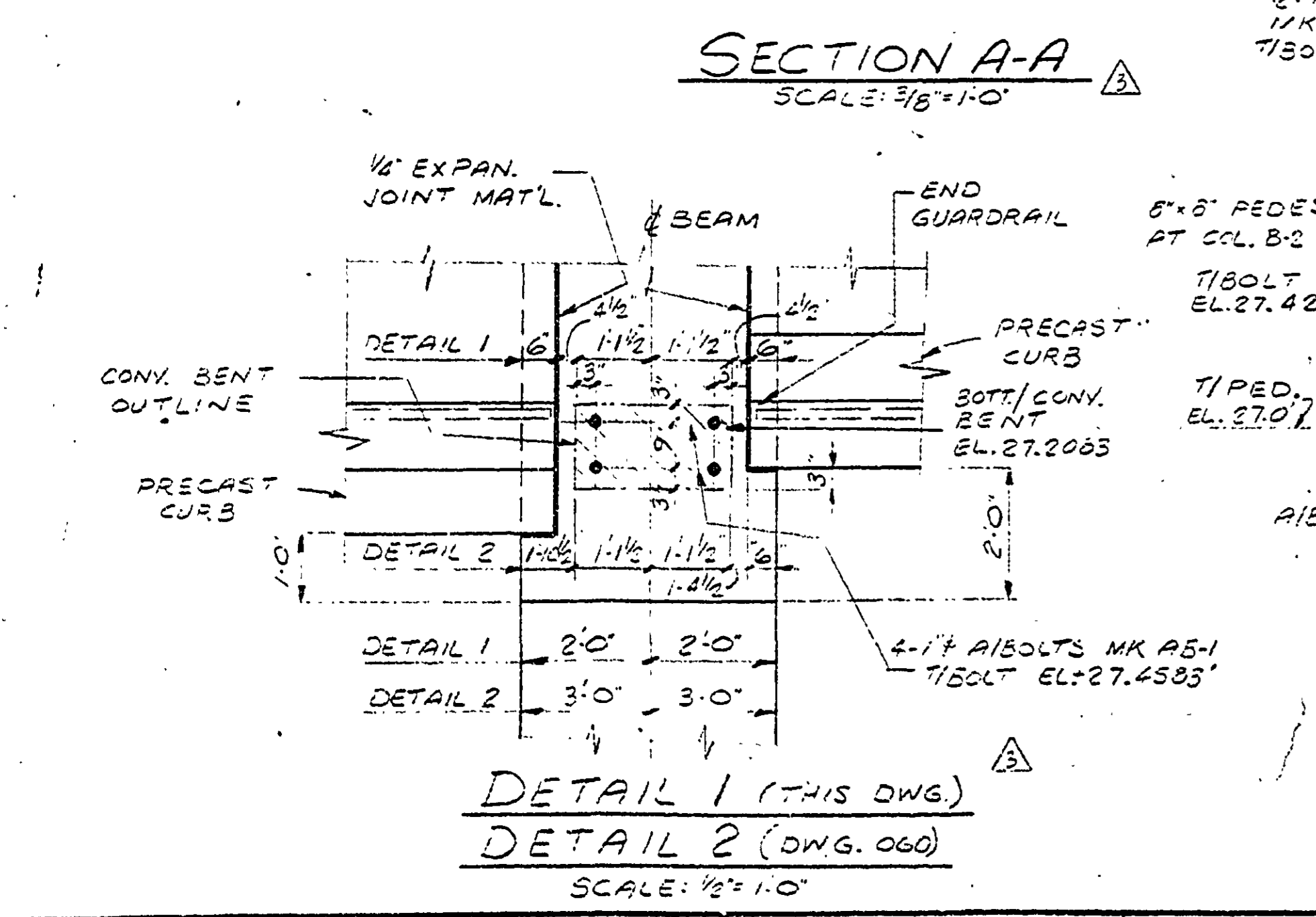
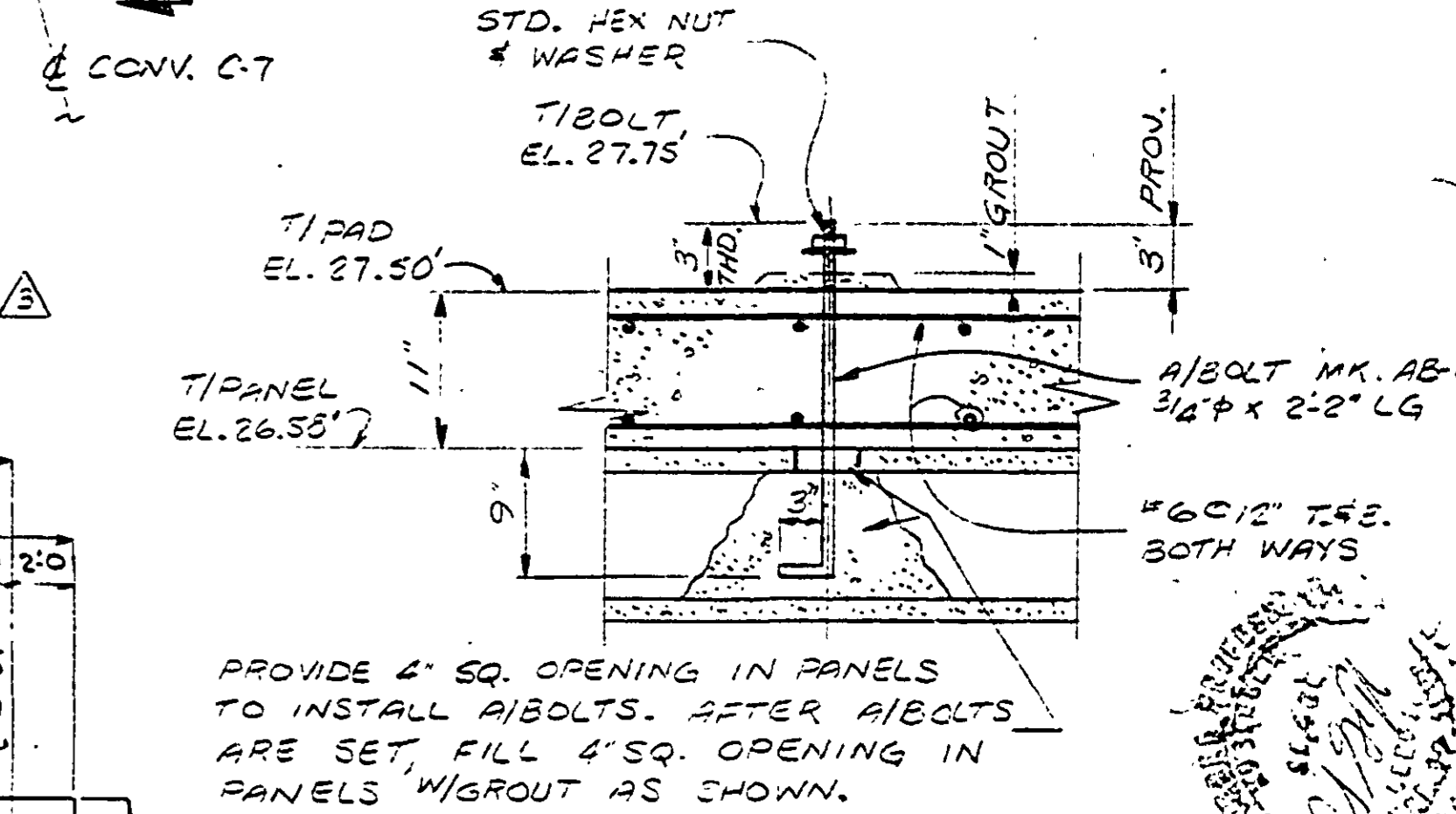
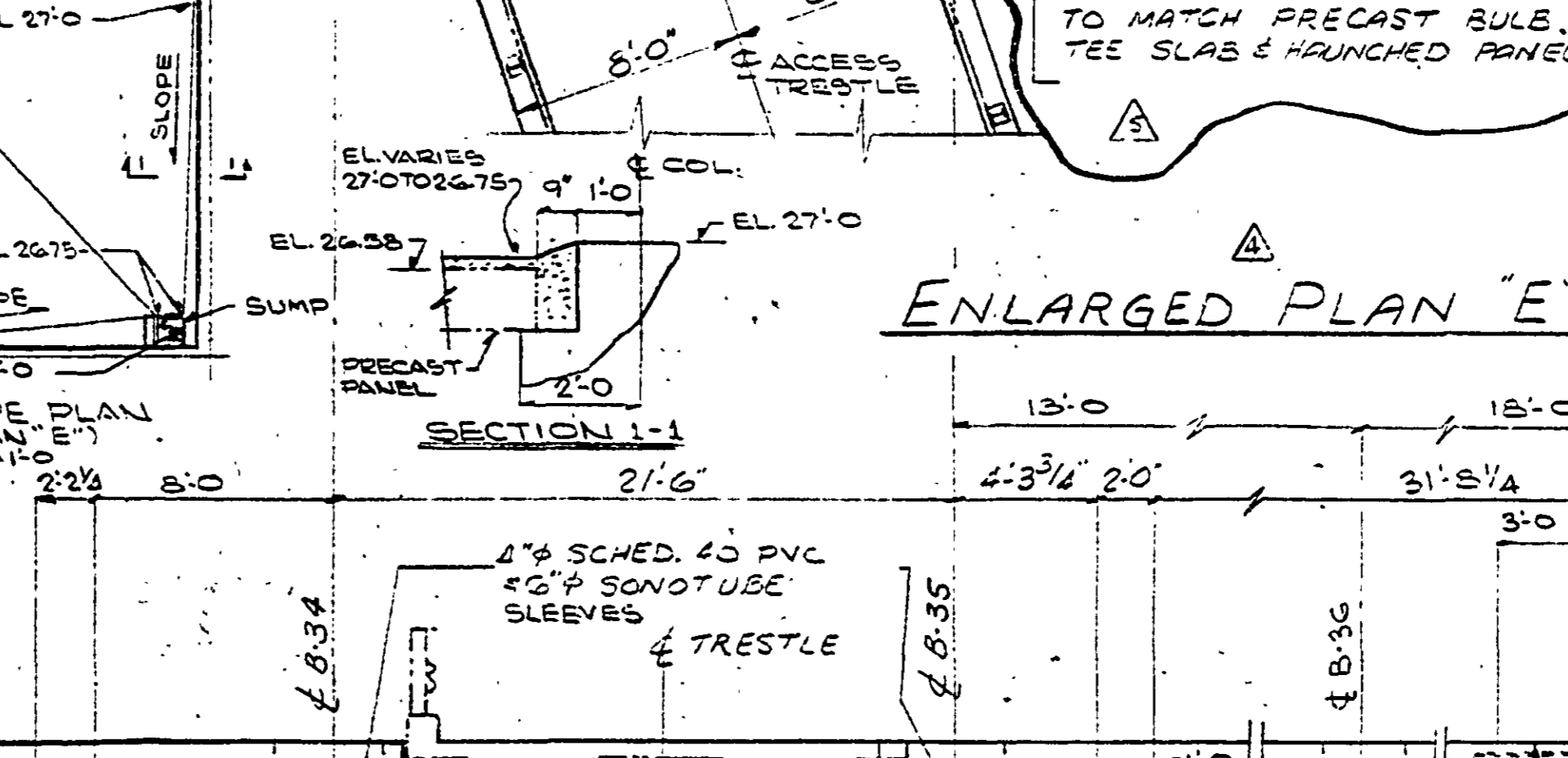
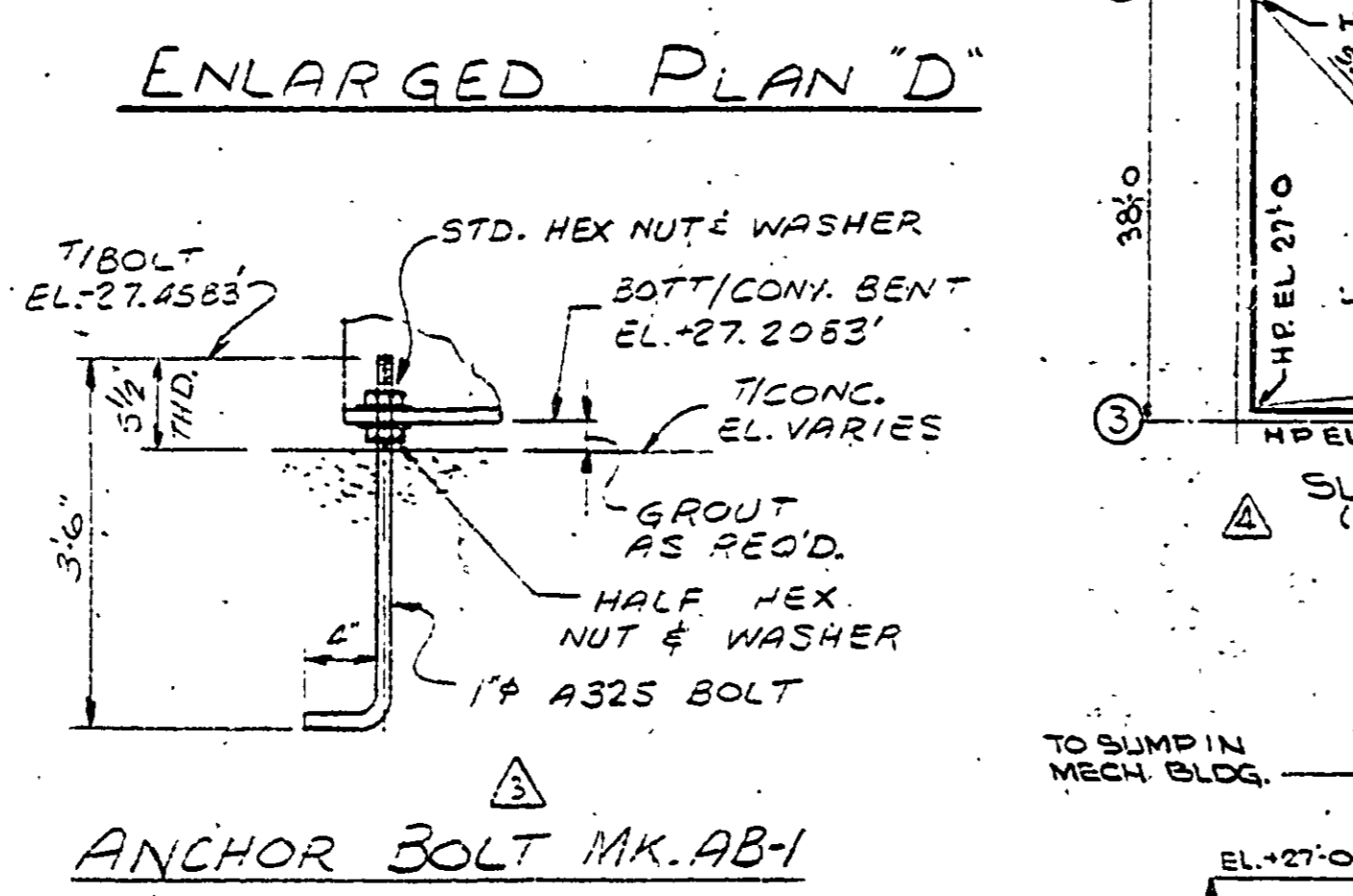
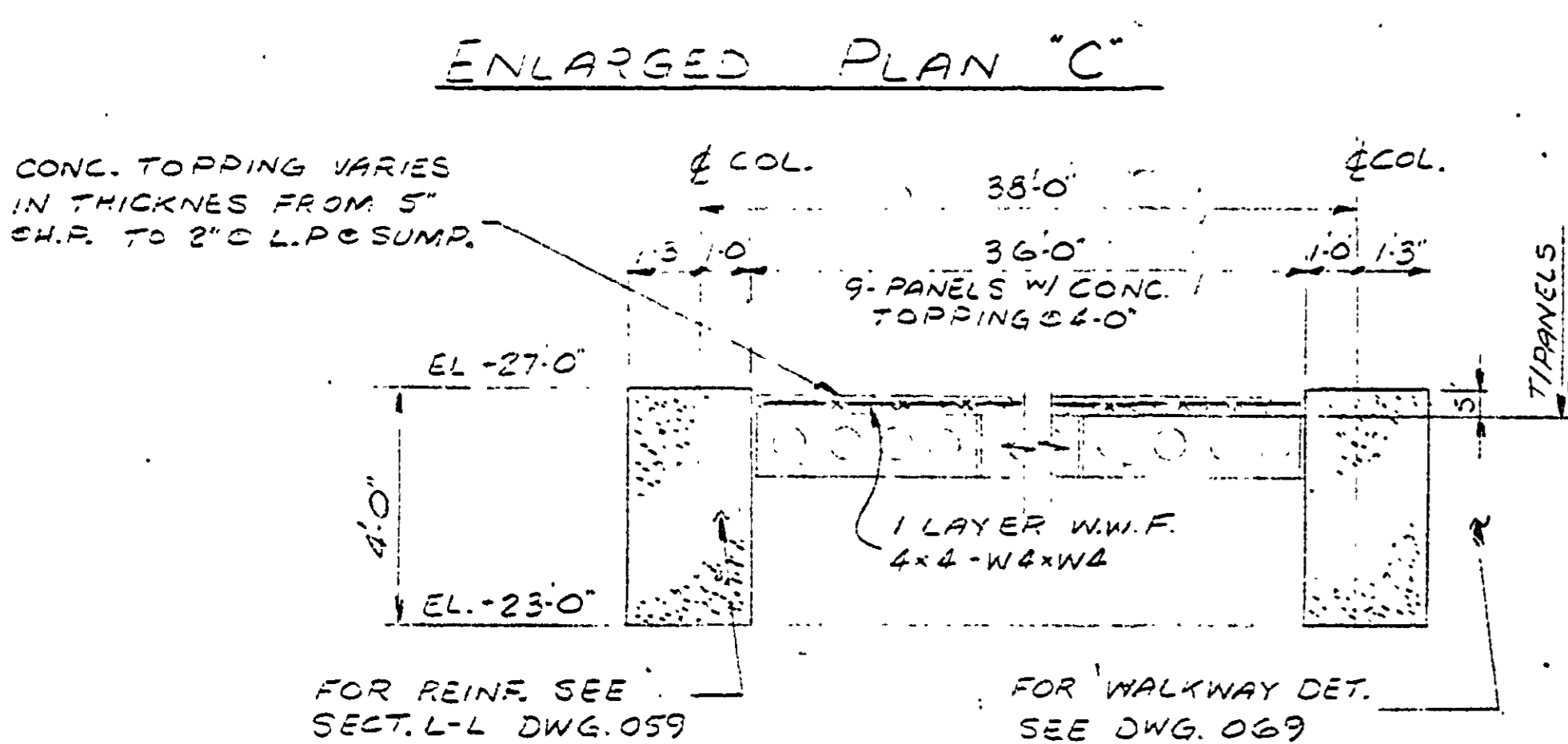
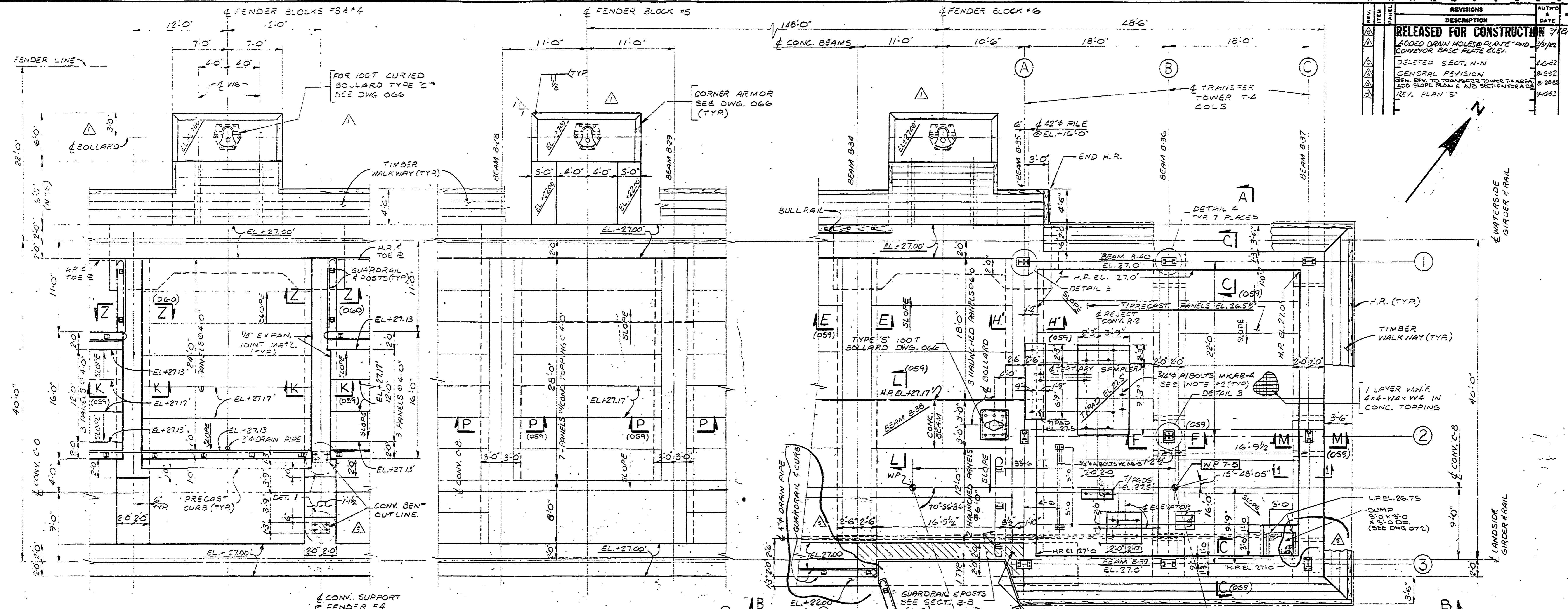
CHK WPG 3-7-82

PACIFIC COAL CORPORATION
COAL EXPORT TERMINAL
PORTLAND, OREGON
PILE PLAN

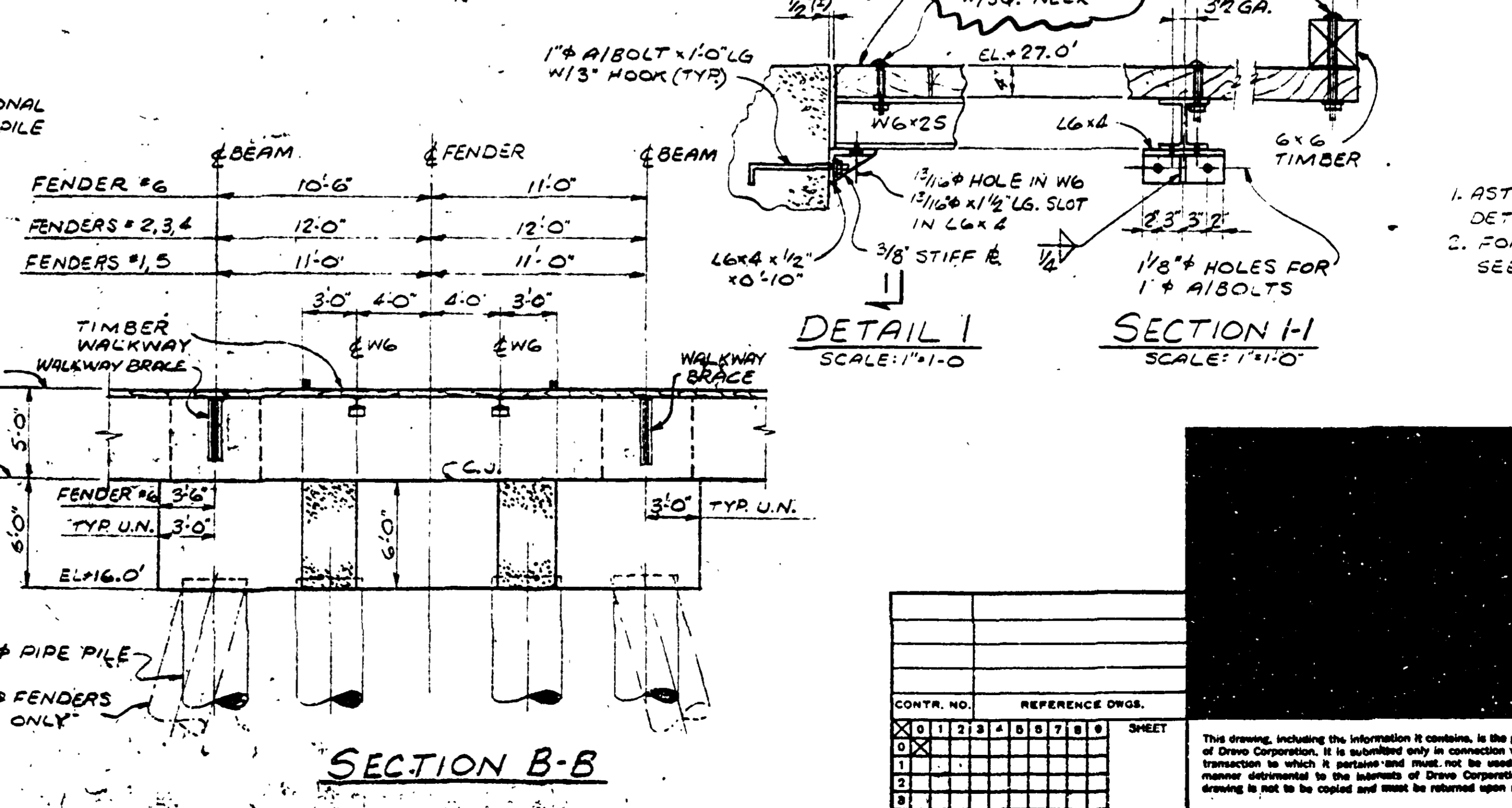
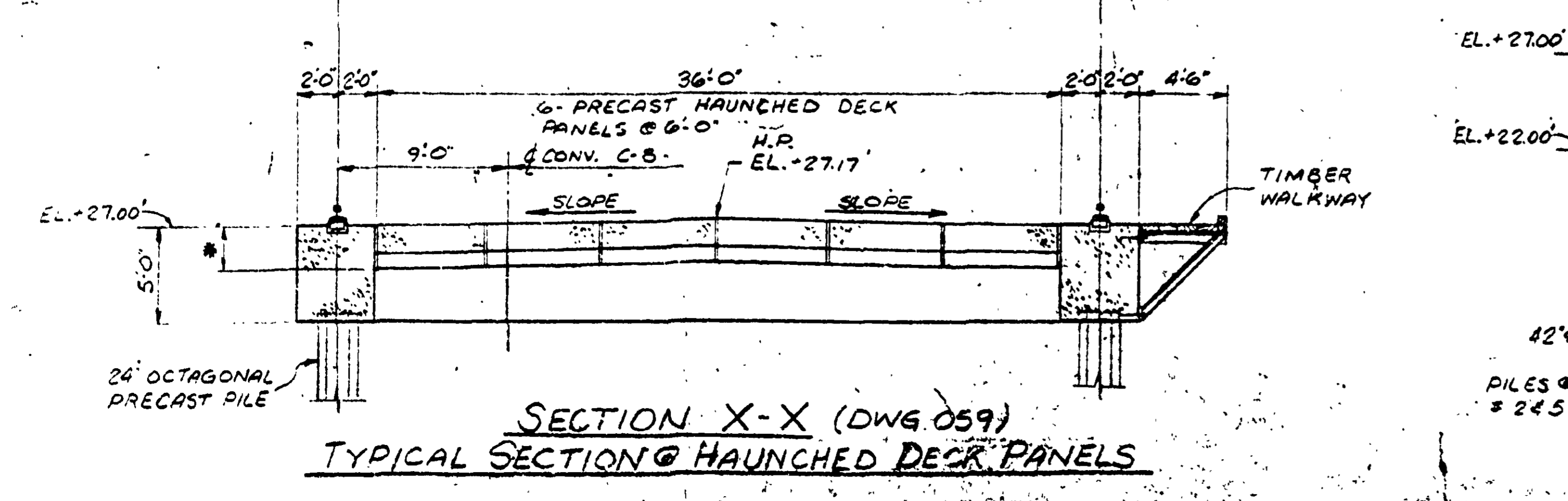
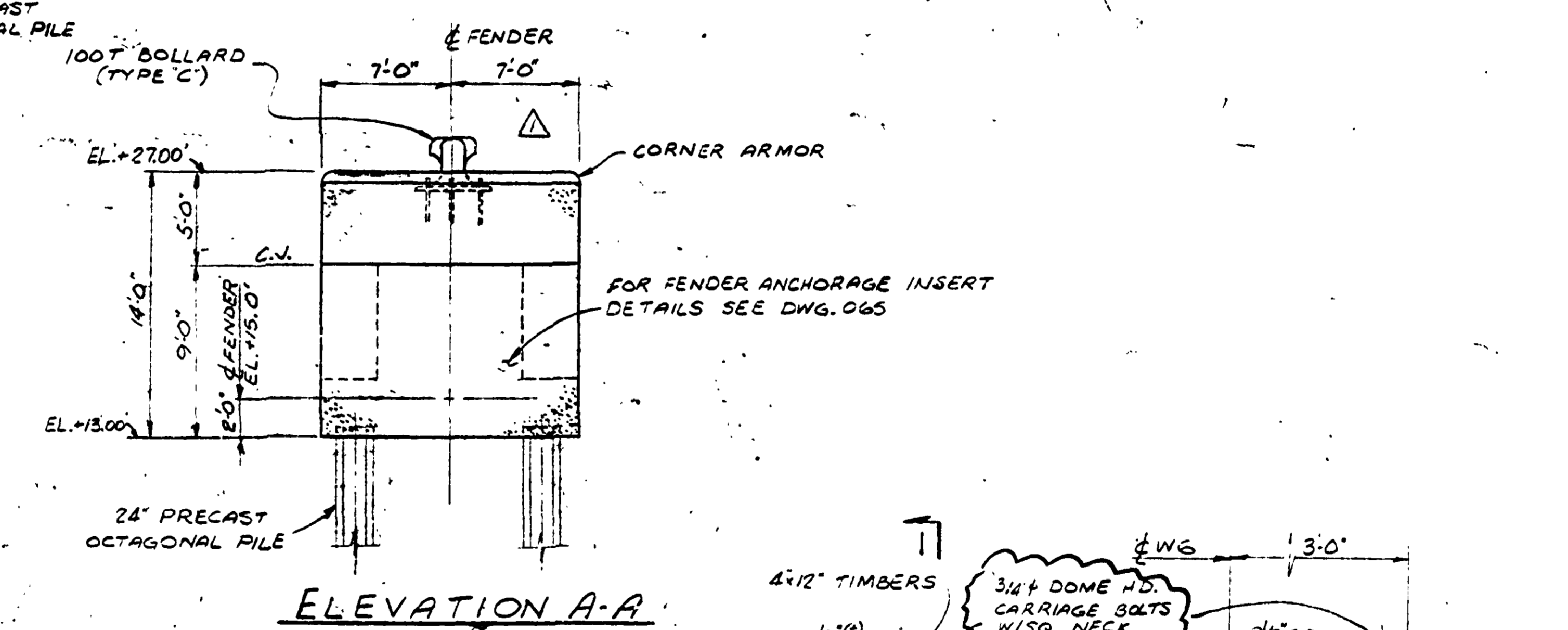
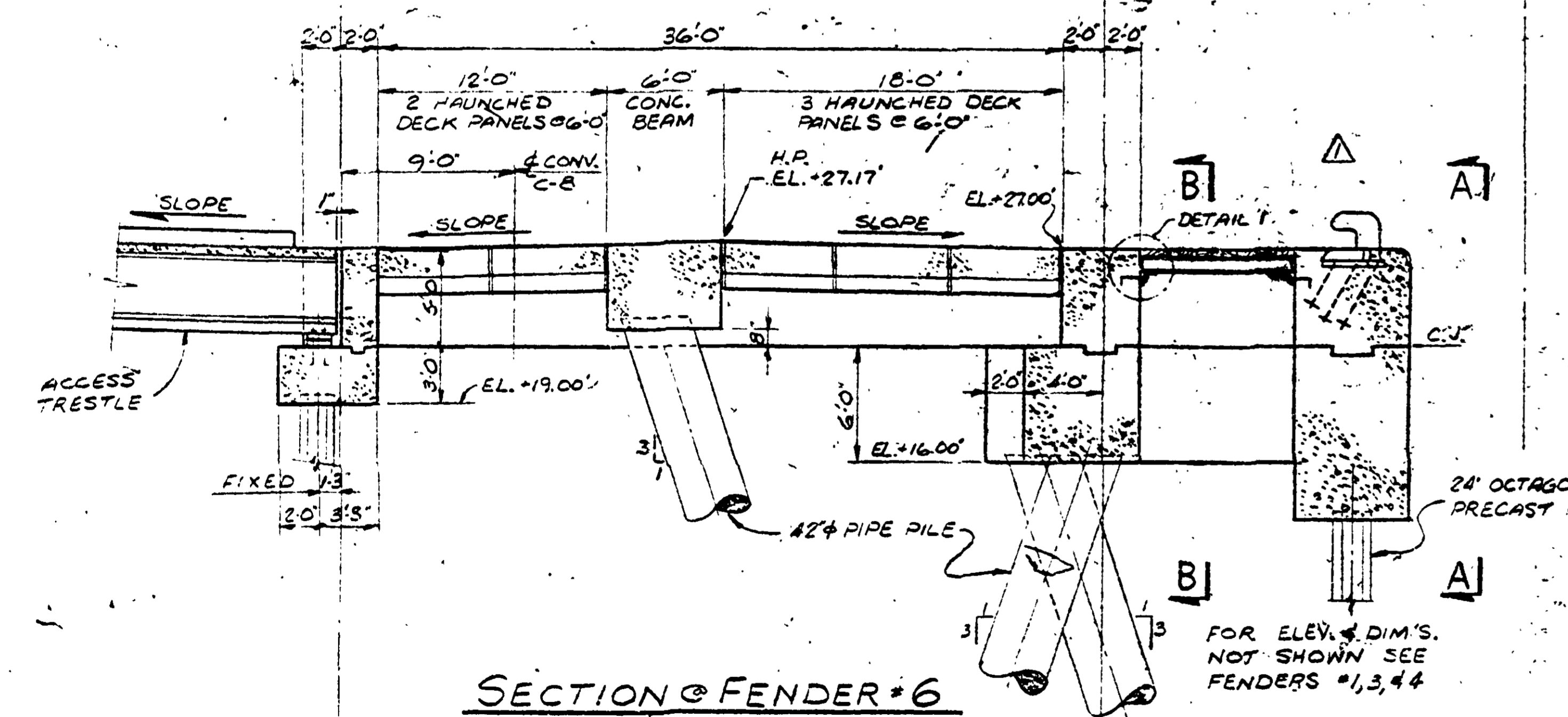
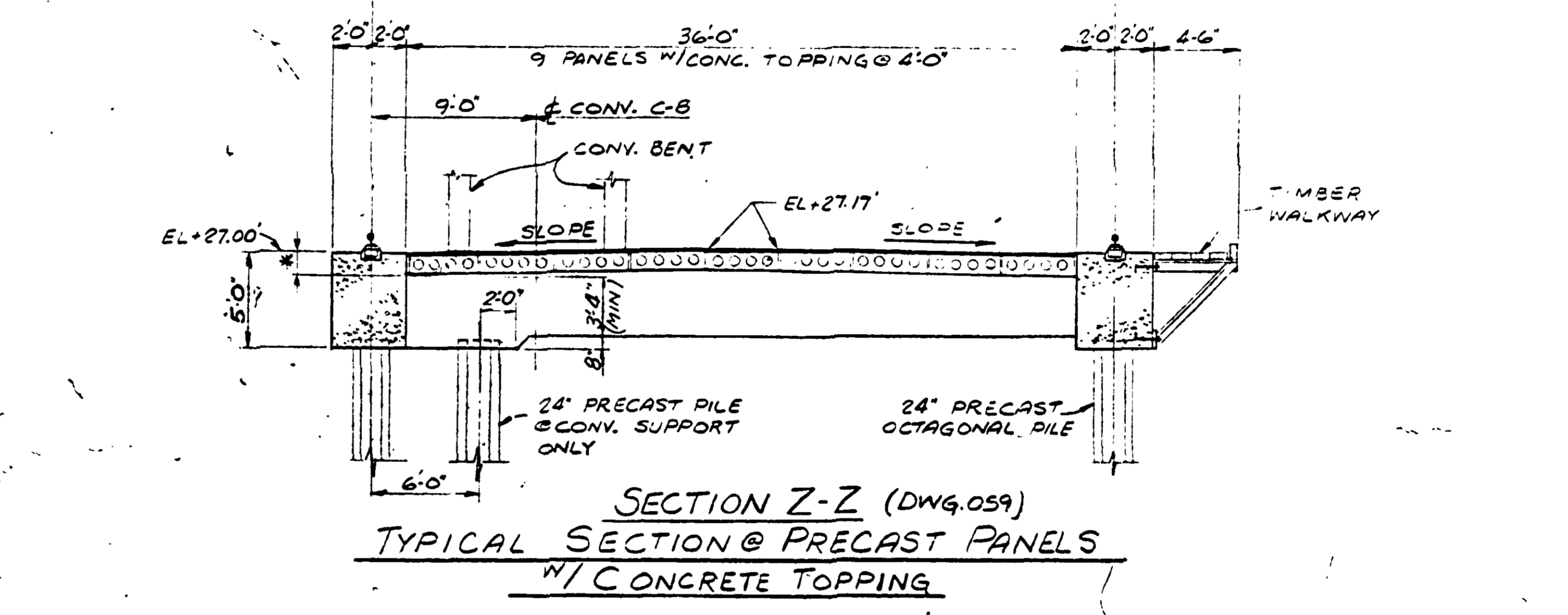
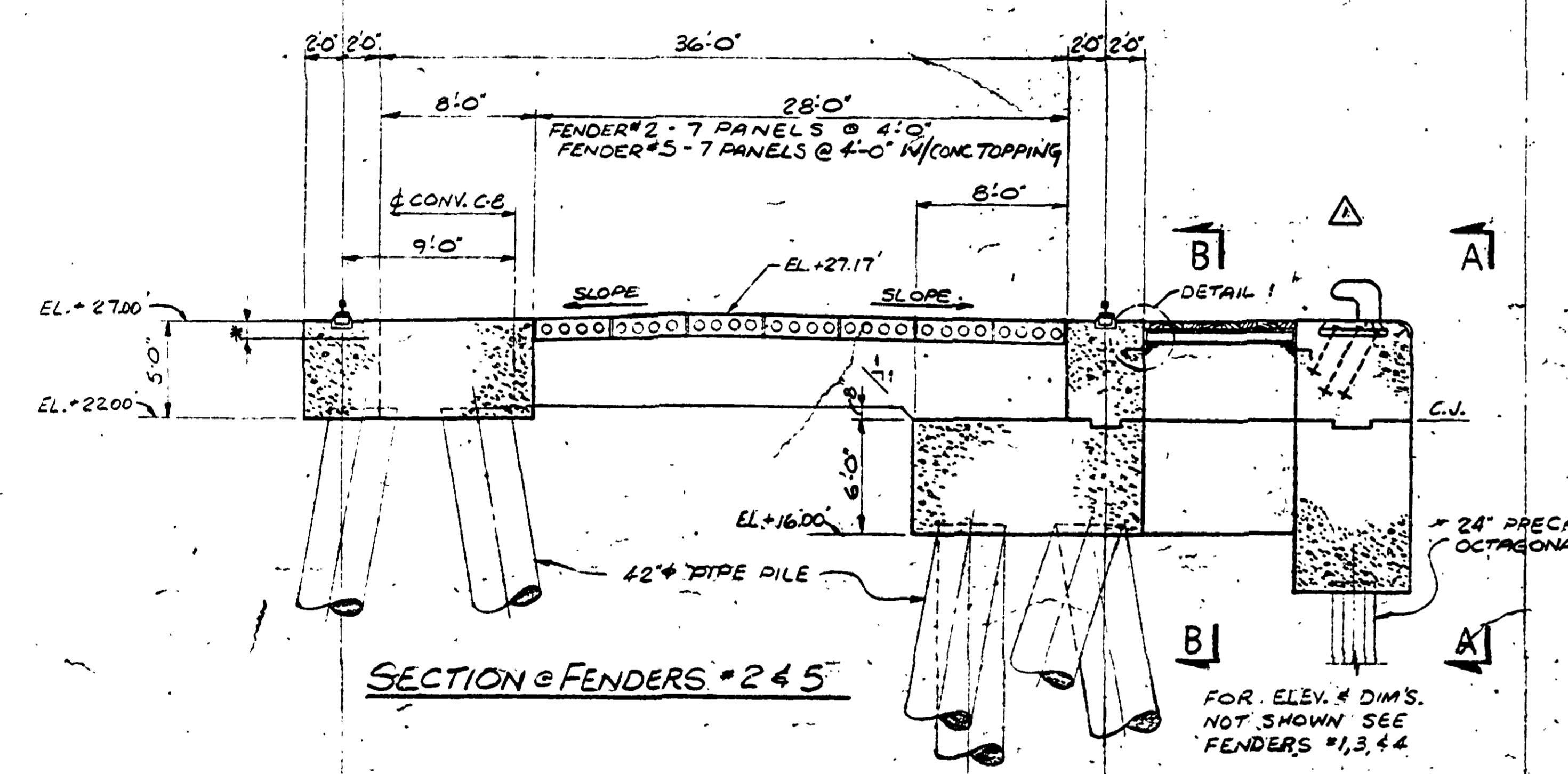
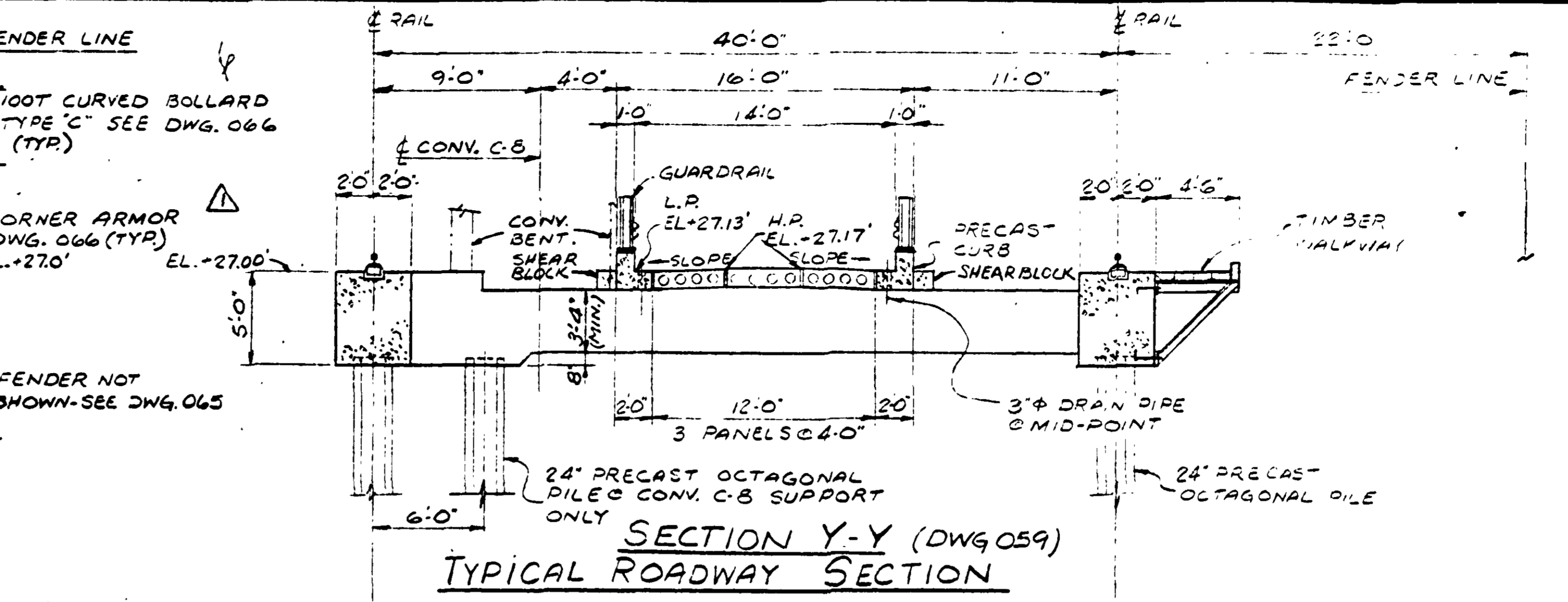
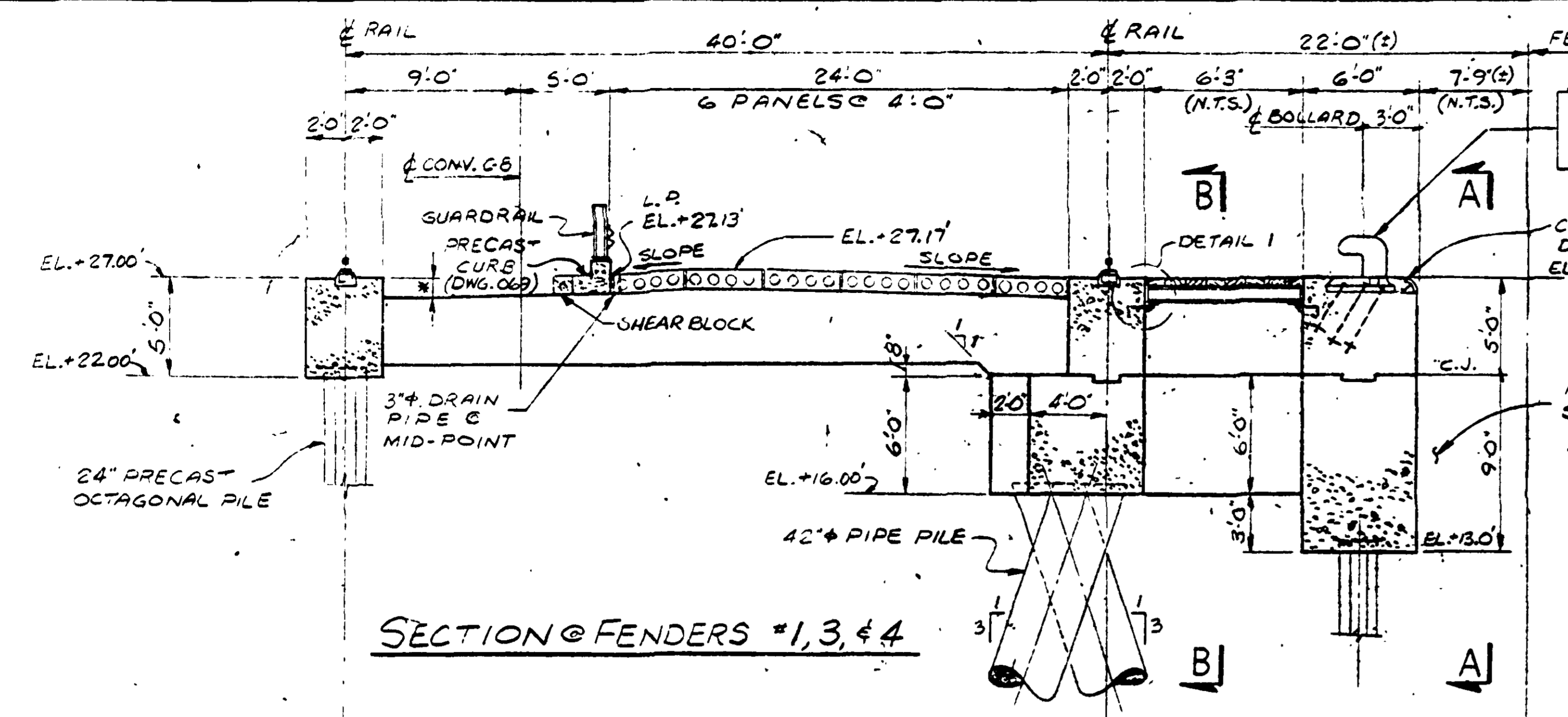
DRAWING NO. 5124-7-058 **REV.** 5

DRAYO CORPORATION, PITTSBURGH, PA. DW DEFC

REV.	DATE	DESCRIPTION	BY	CHK	APPD.
1	7/10/82	RELEASED FOR CONSTRUCTION			
2	8/11/82	ADDED DRAIN HOLES PLANE AND CONVEYOR BASE PLATE ELEV.			
3	4-6-82	DELETED SECT. N-N			
4	8-5-82	GENERAL REVISION			
5	8-20-82	GEN. REV. TO TRANSFER TOWER T-4 AREA			
6	9-15-82	ADD SLOPE PLAN & A/B SECTION FOR A/B TRANSFER TOWER T-4			



NO.	REVISIONS	DESCRIPTION	AUTHOR	DATE	REV.
1	RELEASED FOR CONSTRUCTION	REVISED BOLLARD ANCHORAGE		3/18/82	
2					
3					
4					

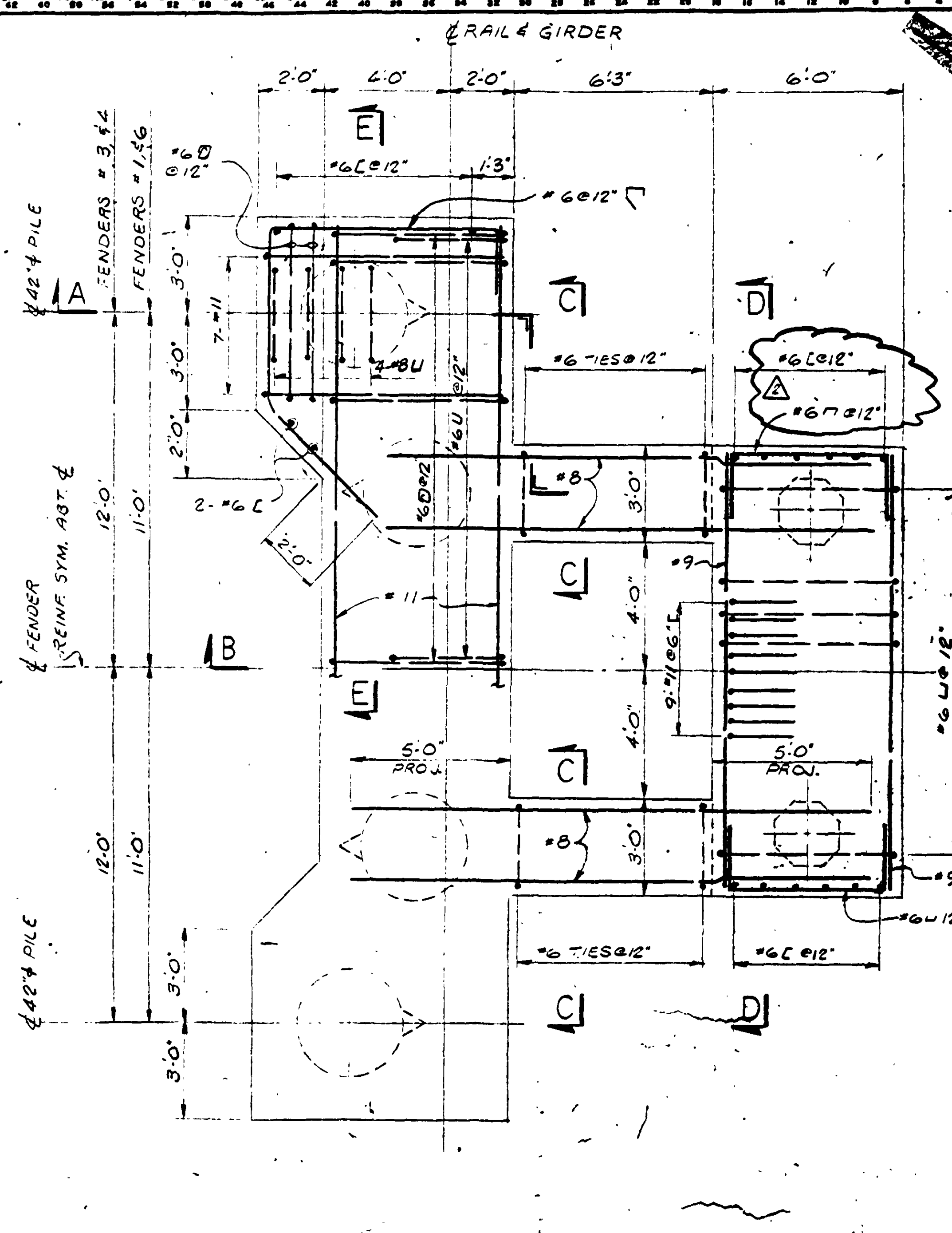


NOTES

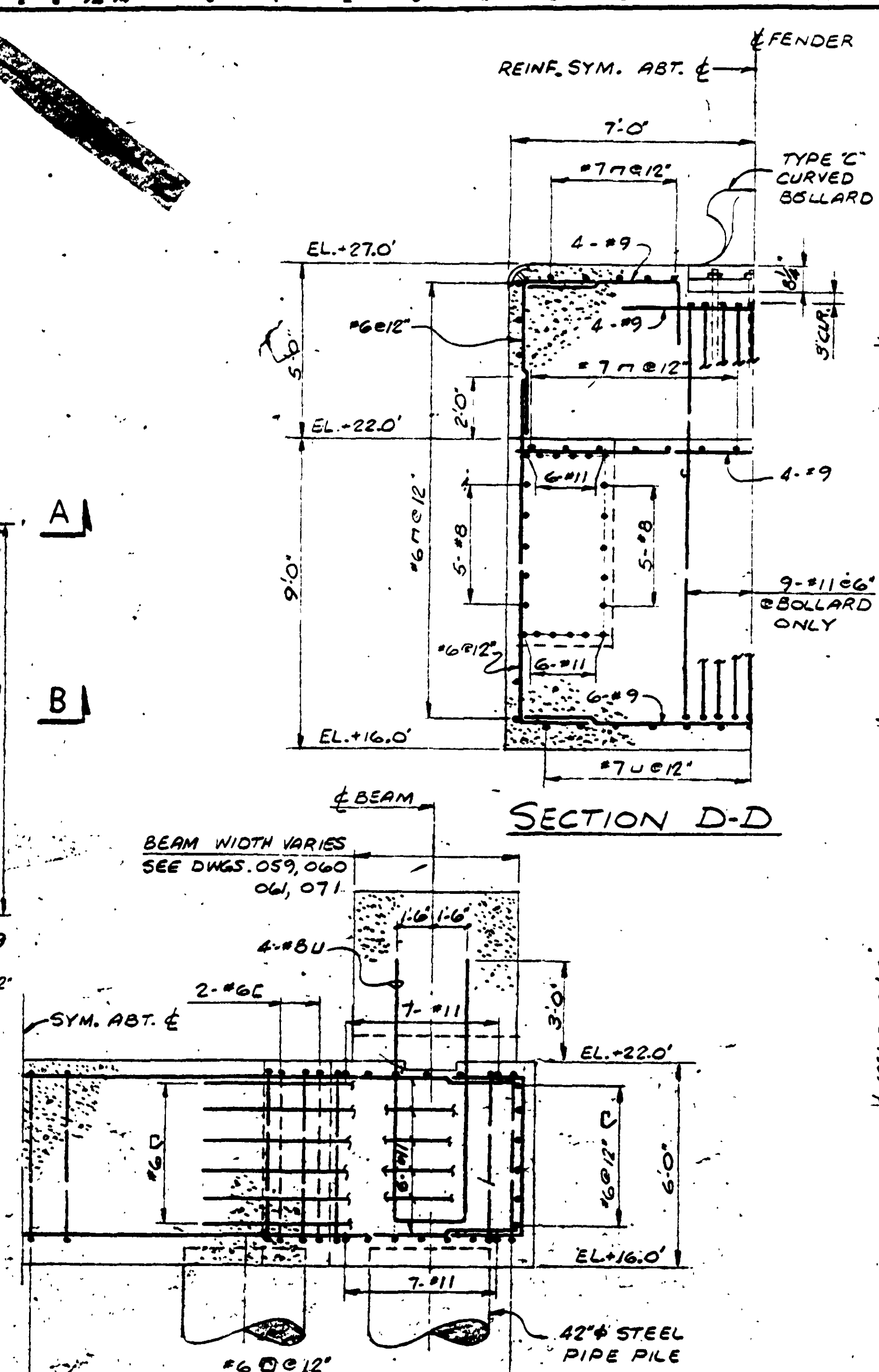
1. ASTERISK (*) INDICATES DIM. TO BE DETERMINED BY PRECAST PANEL MFR.
2. FOR CRANE RAIL ANCHORAGE DETAIL SEE DWG. 066

NO. REG'D.	CONTRACT NO.	SHOP BILL NO.
PACIFIC COAL CORPORATION COAL EXPORT TERMINAL PORTLAND, OREGON PORT-CONCRETE SECTIONS		
SCALE 3/16"=1'-0" U.N.	APP'D. [Signature]	DATE 3/18/82
DR. E.J.S.	2-9-82	
CHK. W.P.G.	3-15-82	
DRAWING NO. 5124-7-062-2		

REV.	DATE	DESCRIPTION
1	3/18/82	RELEASED FOR CONSTRUCTION
2	3/18/82	GENERAL REVISIONS
3	4/18/82	REV. BAR SIZES

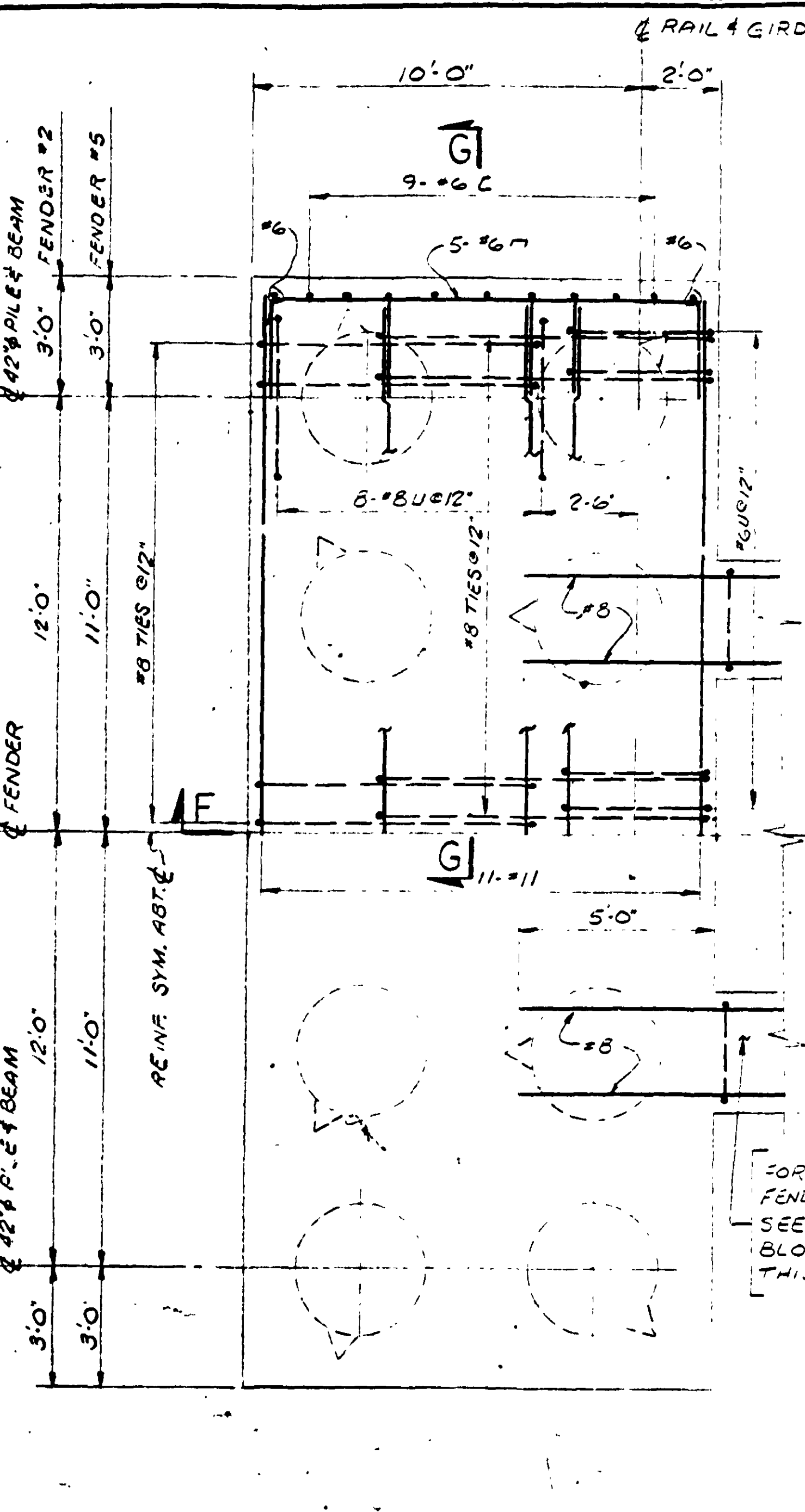


SECTIONAL PLAN @ EL.+19.0'
FENDER BLOCKS #1,3,4,6

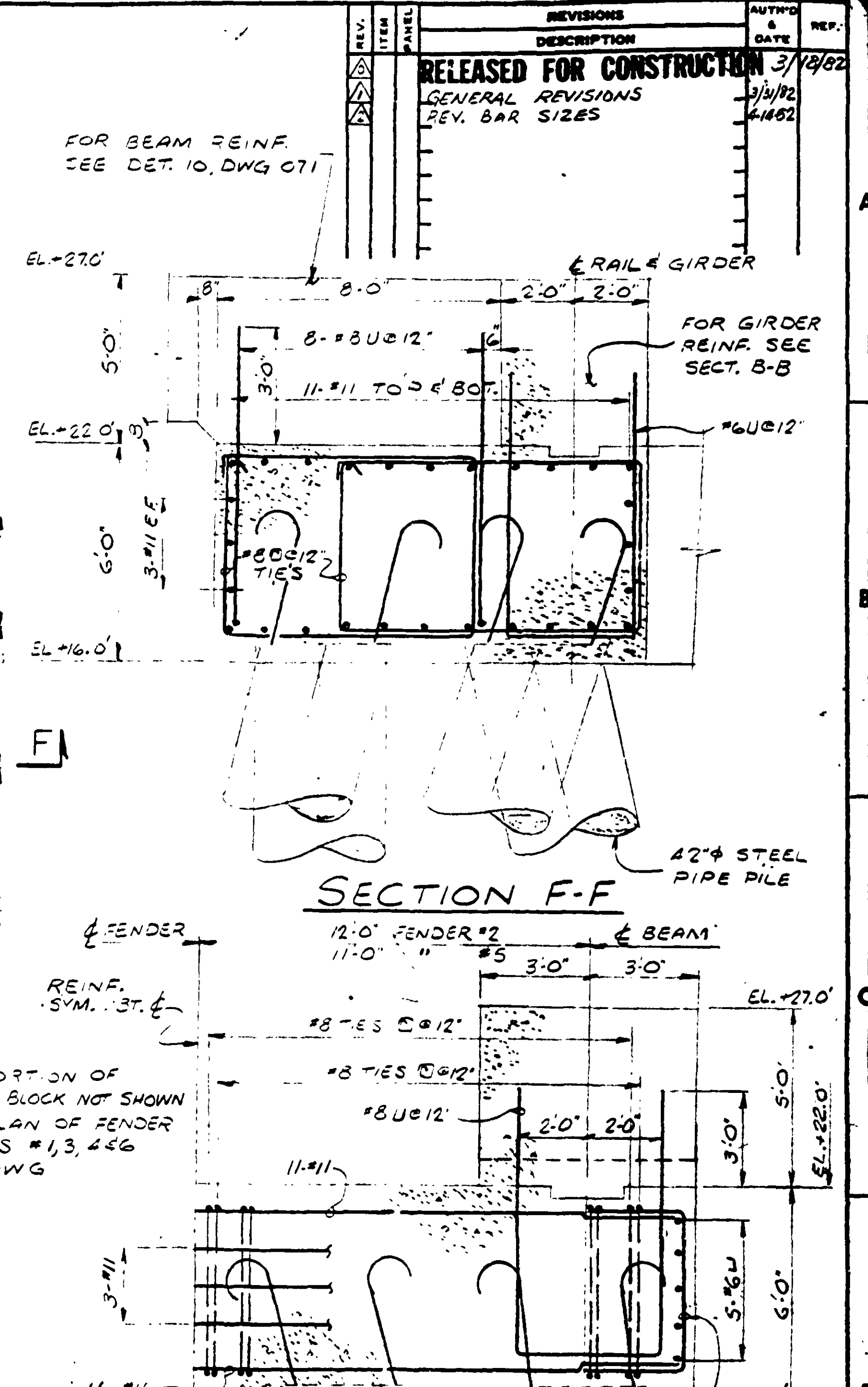


SECTION D-D

SECTION E-E

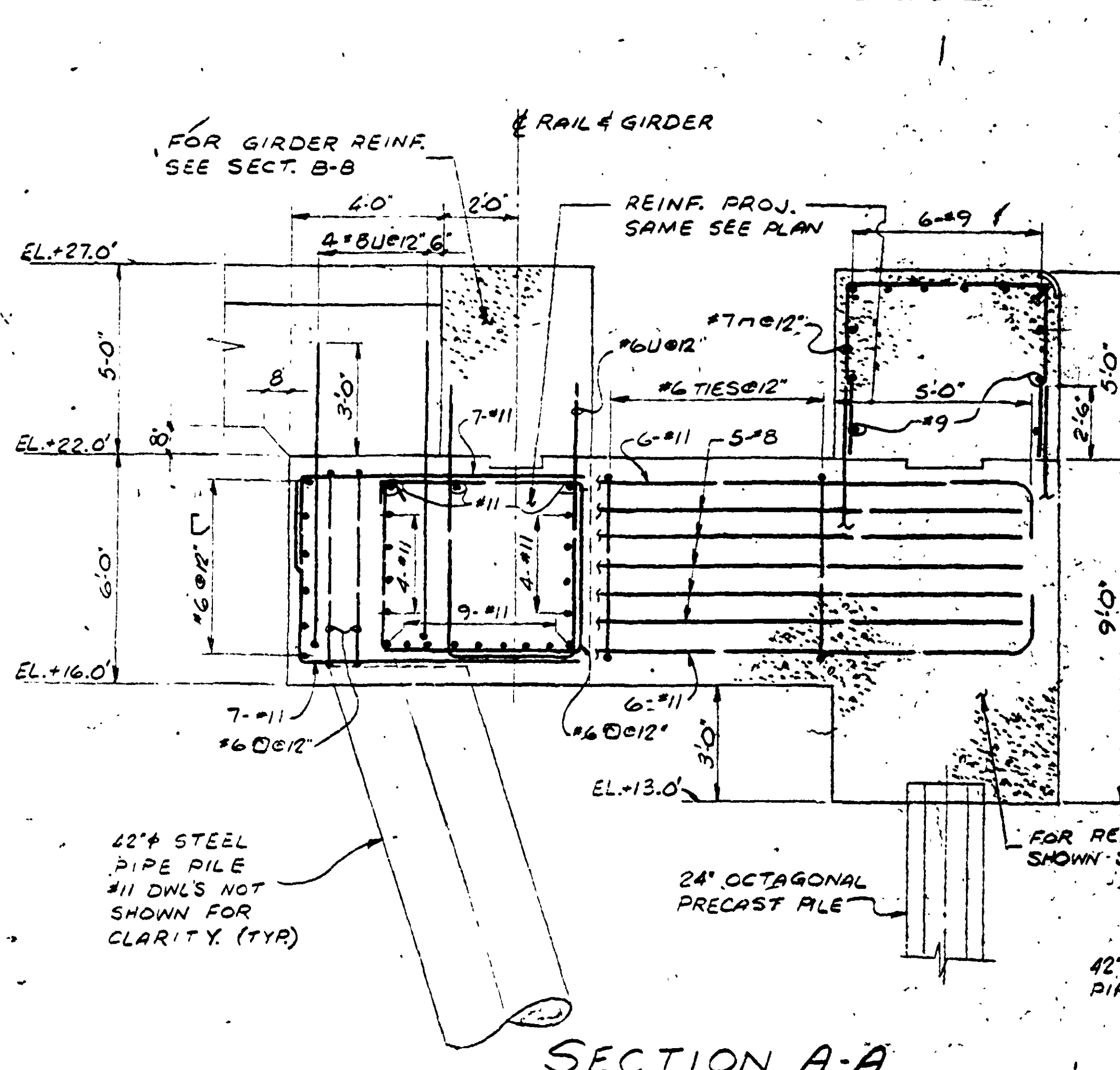


SECTIONAL PLAN @ EL.+19.0'
FENDER BLOCKS #2,5

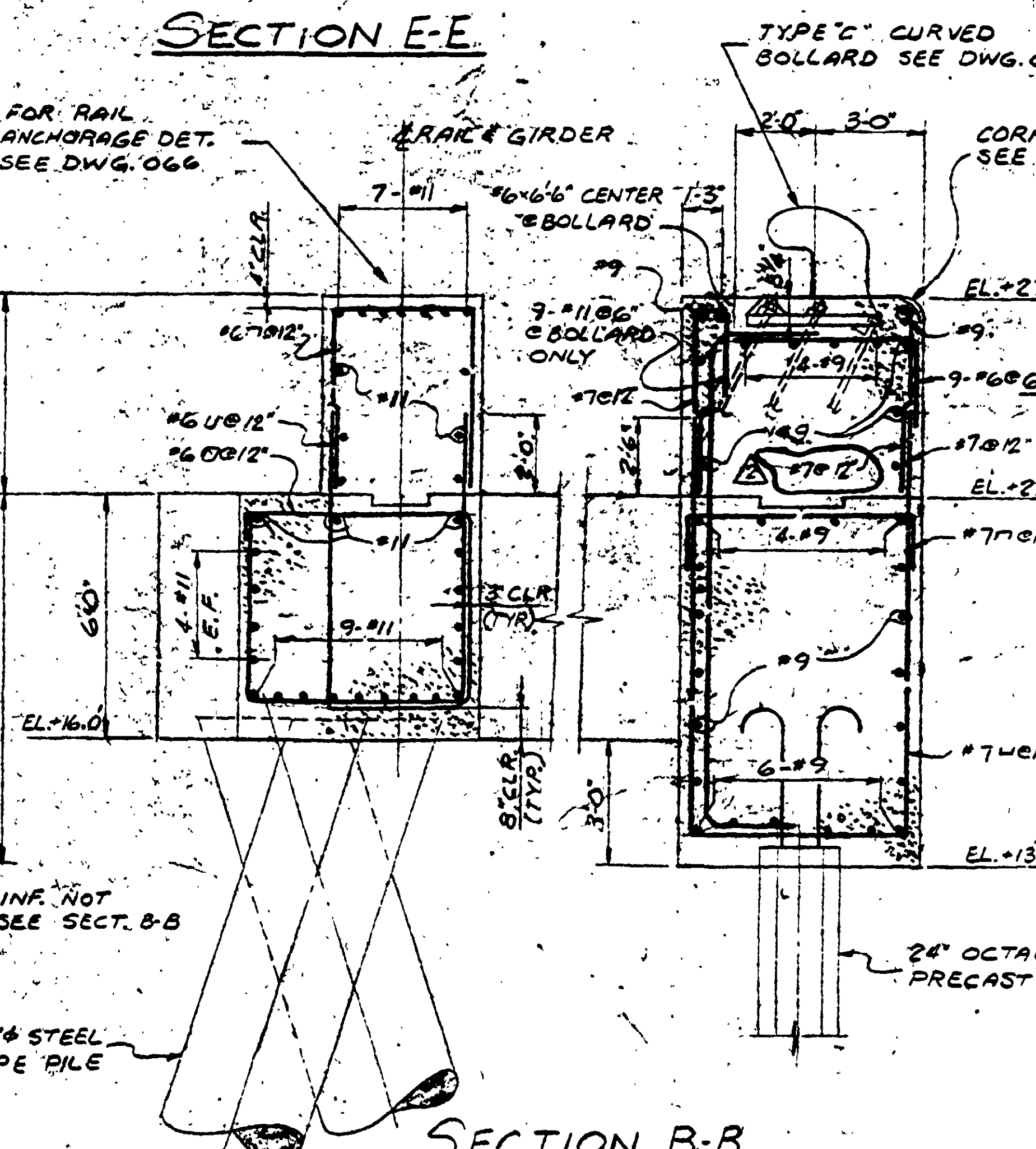


SECTION F-F

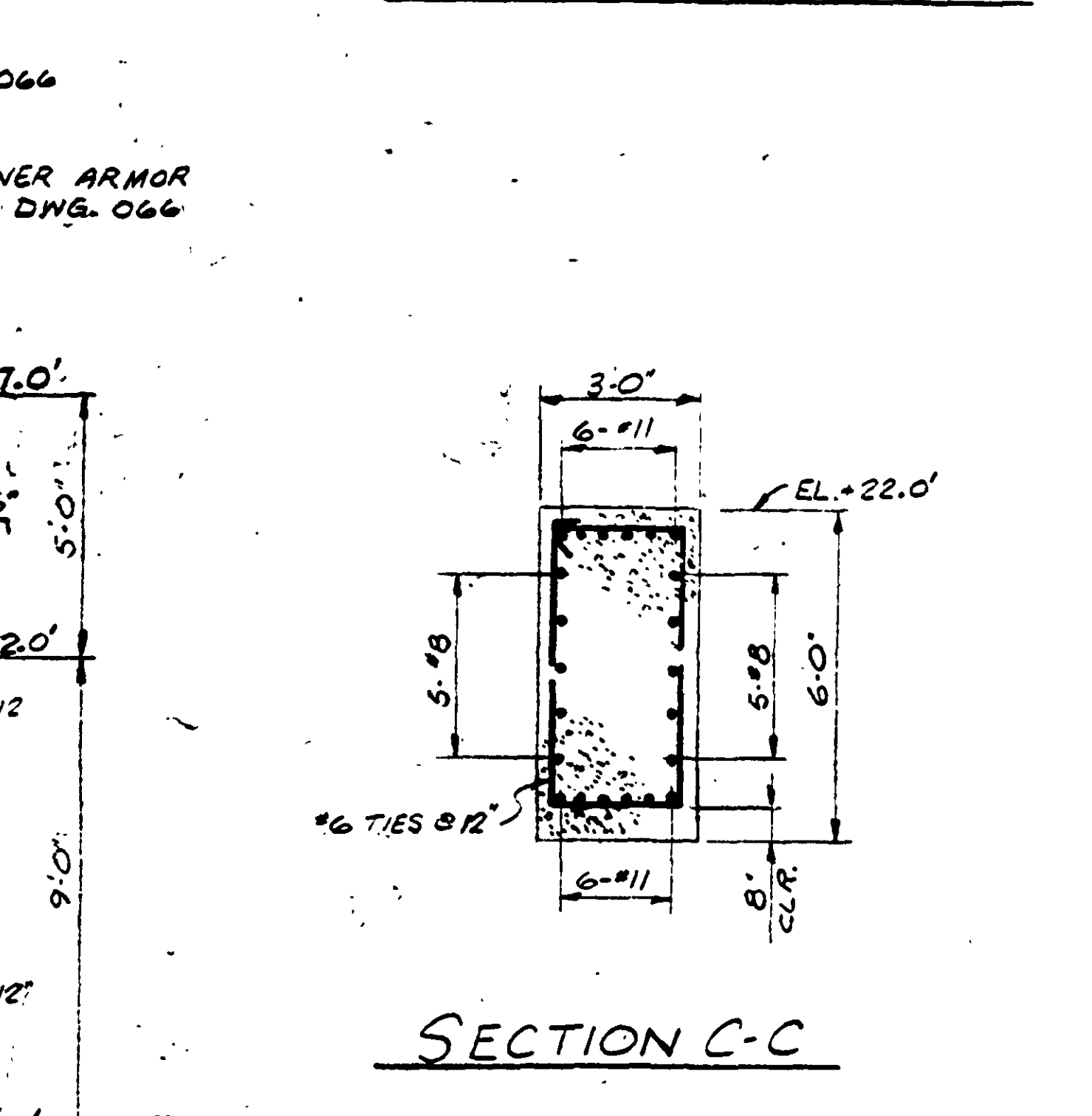
SECTION G-G



SECTION A-A



SECTION B-B



SECTION C-C

CONTR. NO.	REFERENCE DWGS.
0	0
1	1
2	2
3	3
4	4
5	5
6	6
7	7
8	8
9	9

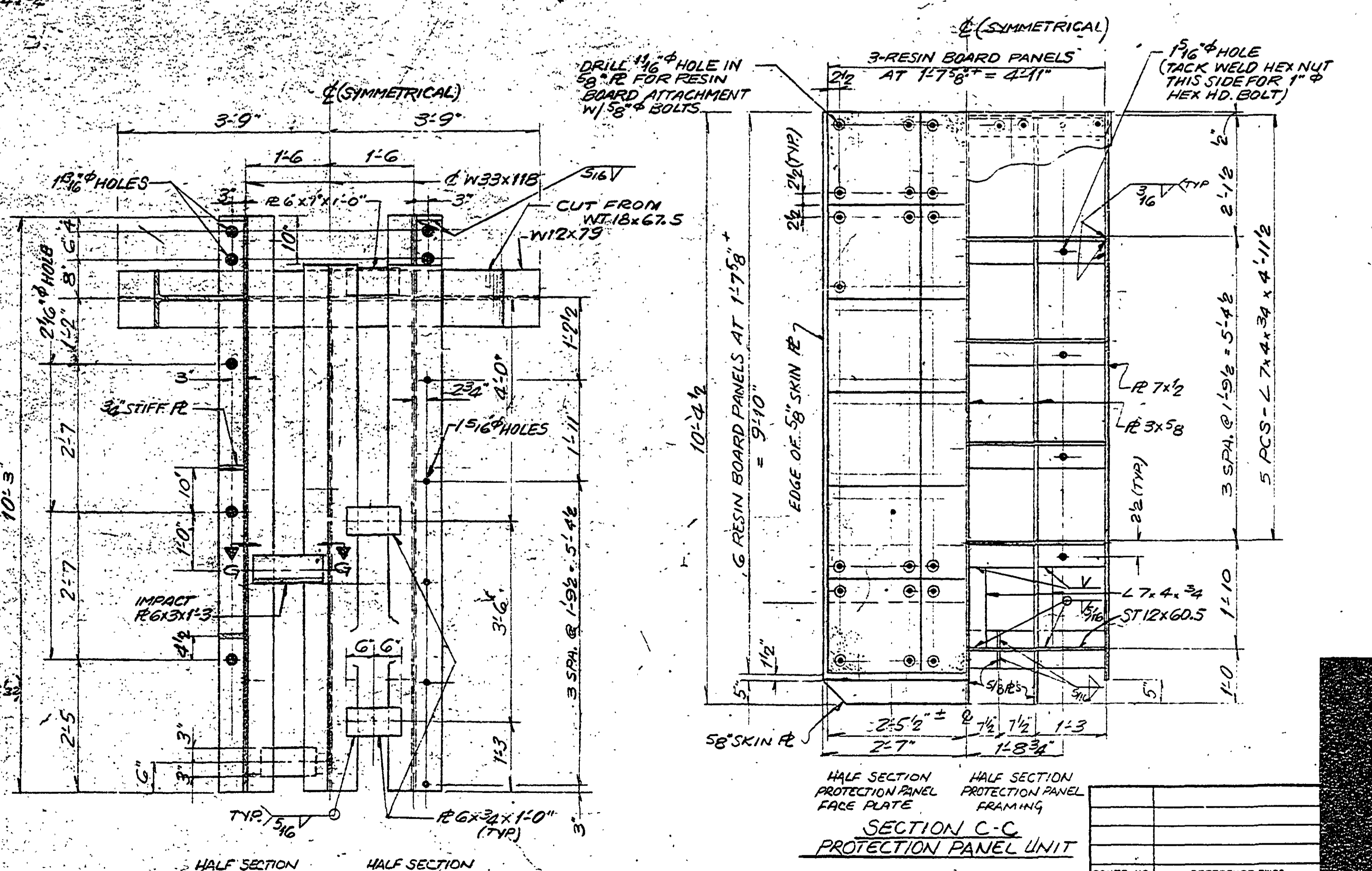
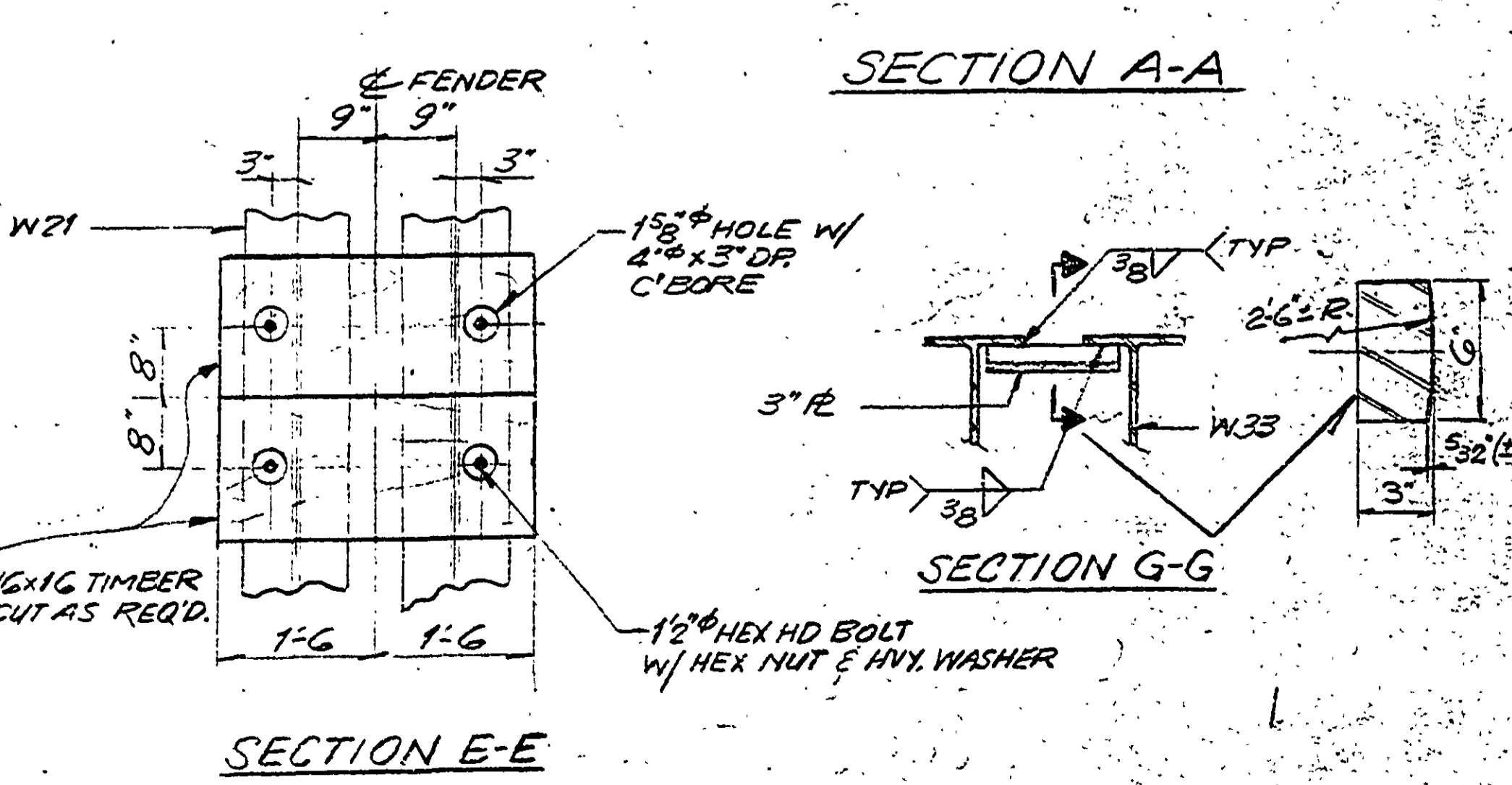
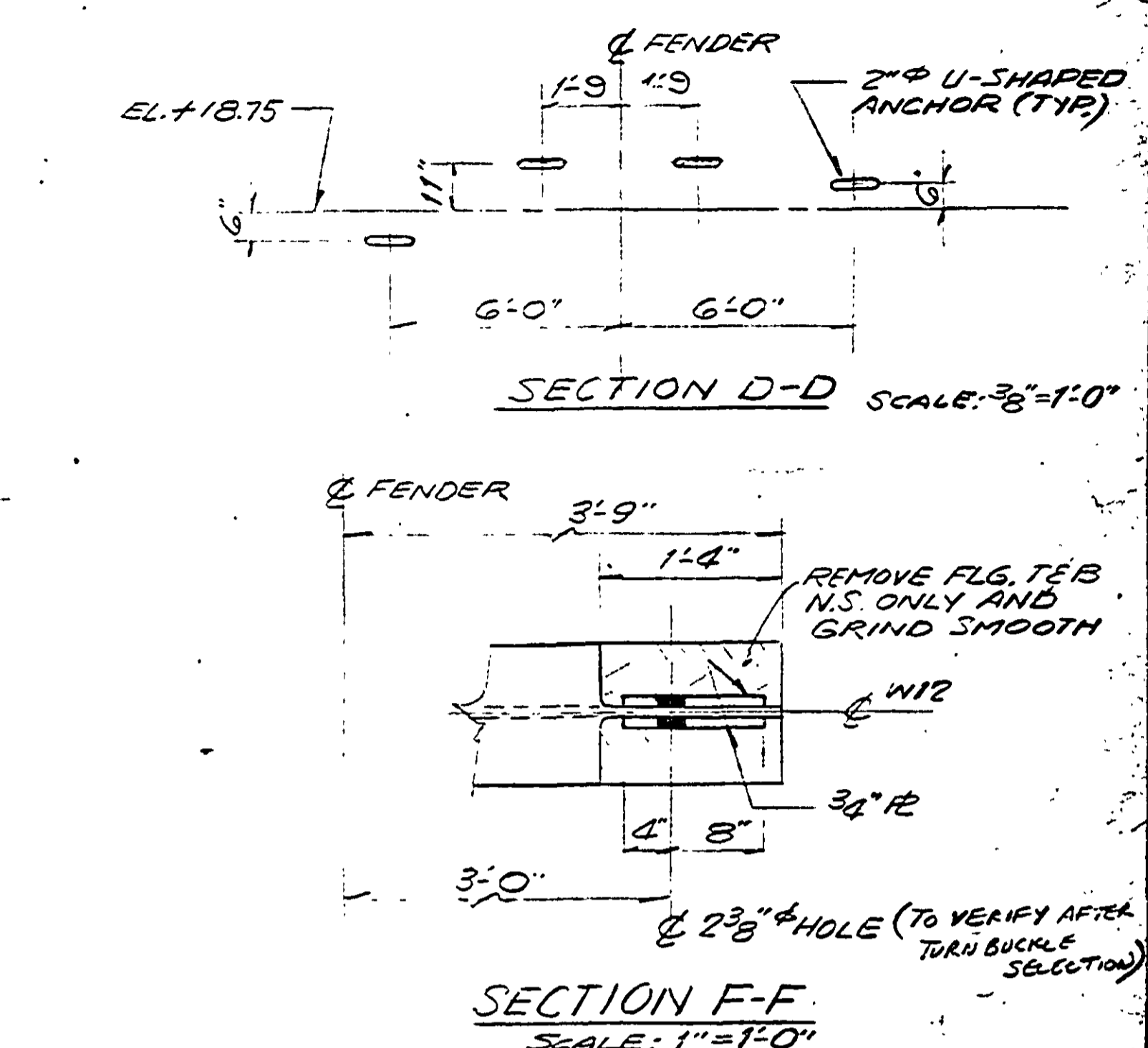
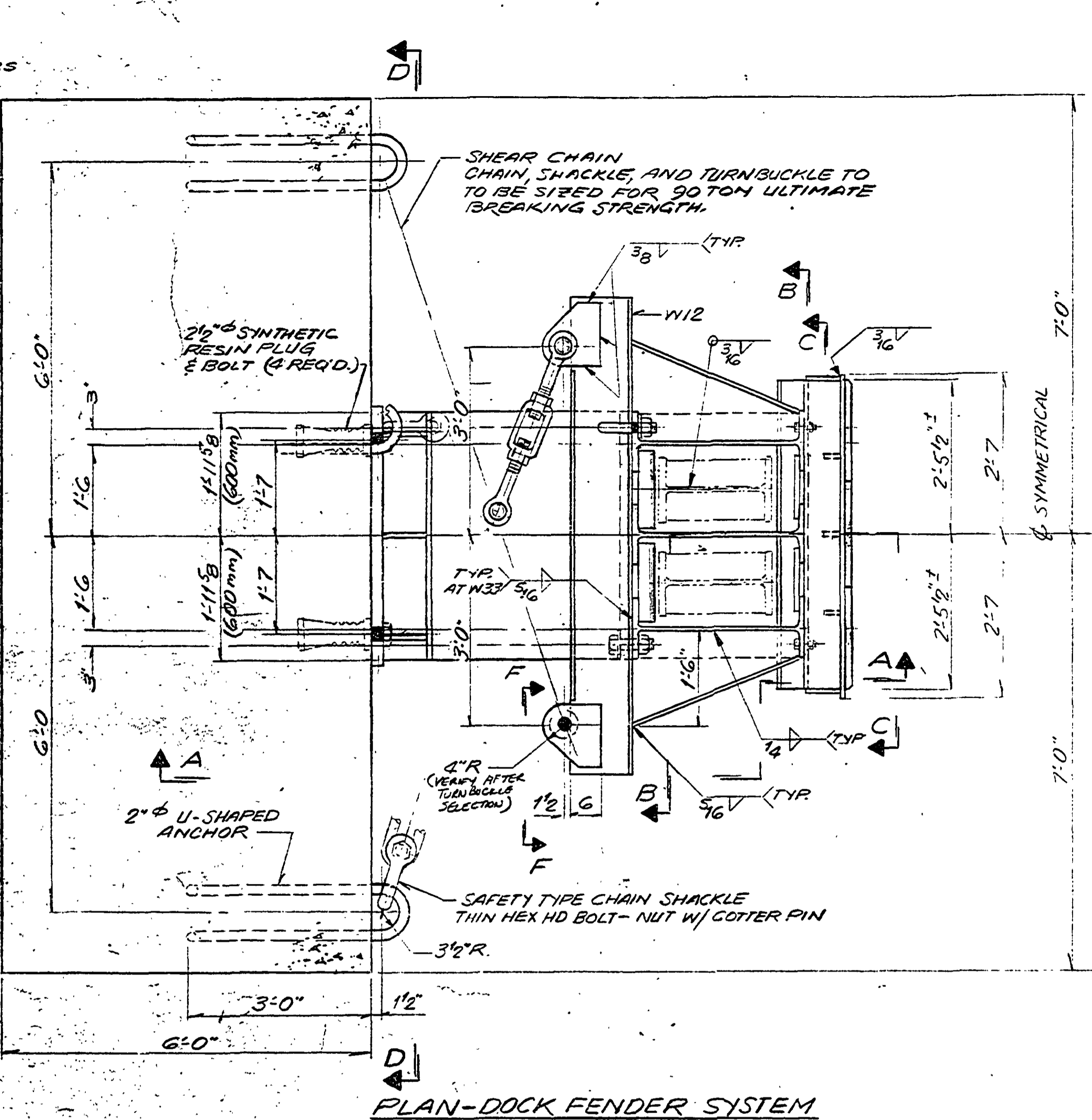
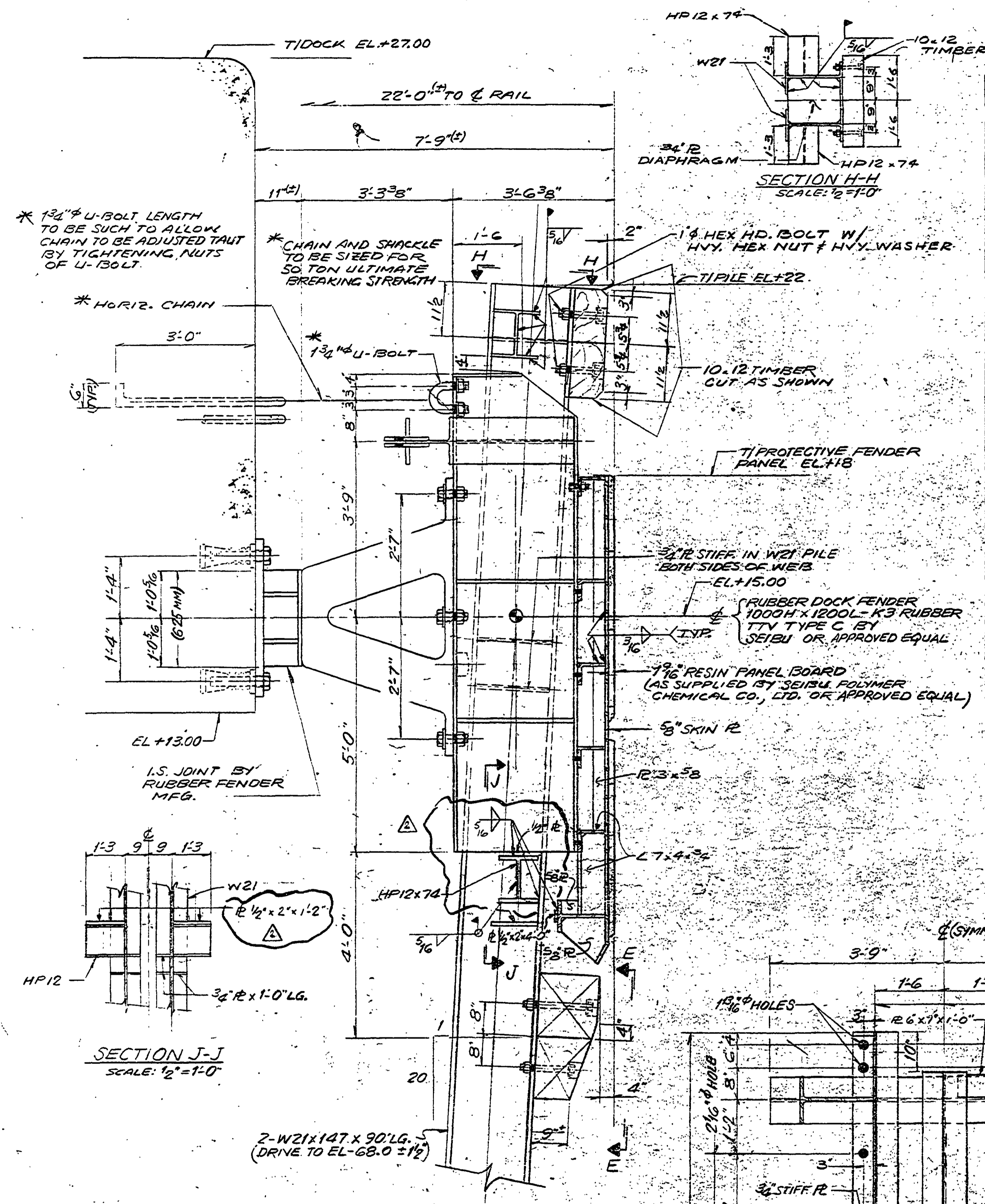
NO. REGD.	CONTRACT NO.	SHOP BILL NO.
PACIFIC COAL CORPORATION COAL EXPORT TERMINAL PORTLAND, OREGON FENDER BLOCK REINFORCING		
SCALE 3/8" = 1'-0" U.S.	APPD. [Signature]	DATE 3/18/82
DR. EUS. 3-1-82	CHK. WPG. 3-15-82	
DRAWING NO. 5124-7-063		REV. 2

DRAYO CORPORATION, PITTSBURGH, PA. DIV. DE-4-C



This drawing, including the information it contains, is the property of Dravo Corporation. It is submitted only in connection with the transaction to which it pertains and must not be used in any manner detrimental to the interests of Dravo Corporation. The drawing is not to be copied and must be returned upon request.

REV.	DESCRIPTION	DATE	BY	CHK
1	RELEASED FOR CONSTRUCTION	3/18/82		
2	GENERAL REVISIONS	3-31-82		
3	ADDED 1/2" R'S	4-5-82		



FENDER DESIGN CRITERIA
 - ENERGY ABSORPTION 300 K-FT
 - REACTION FORCE 250 KIPS

NOTE
 1 ALL BOLT HOLE DIMENSIONS TO BE VERIFIED WITH FENDER SUPPLIER BEFORE FABRICATION

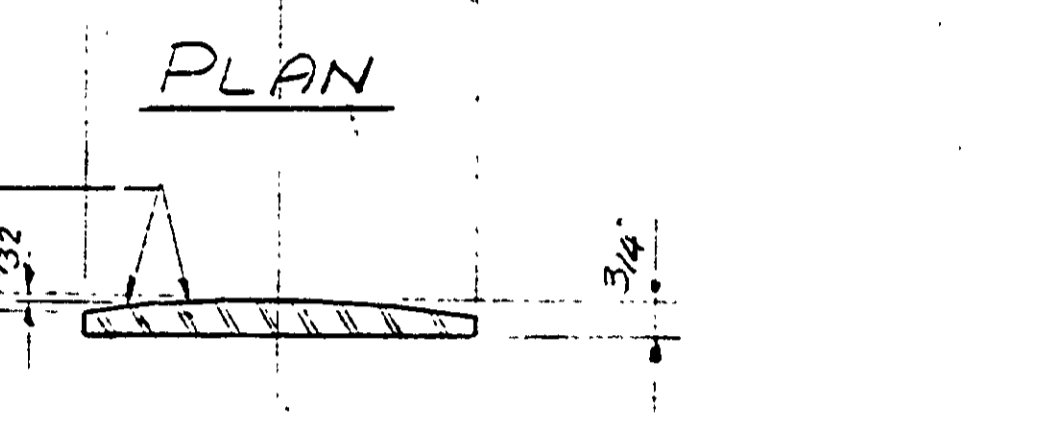
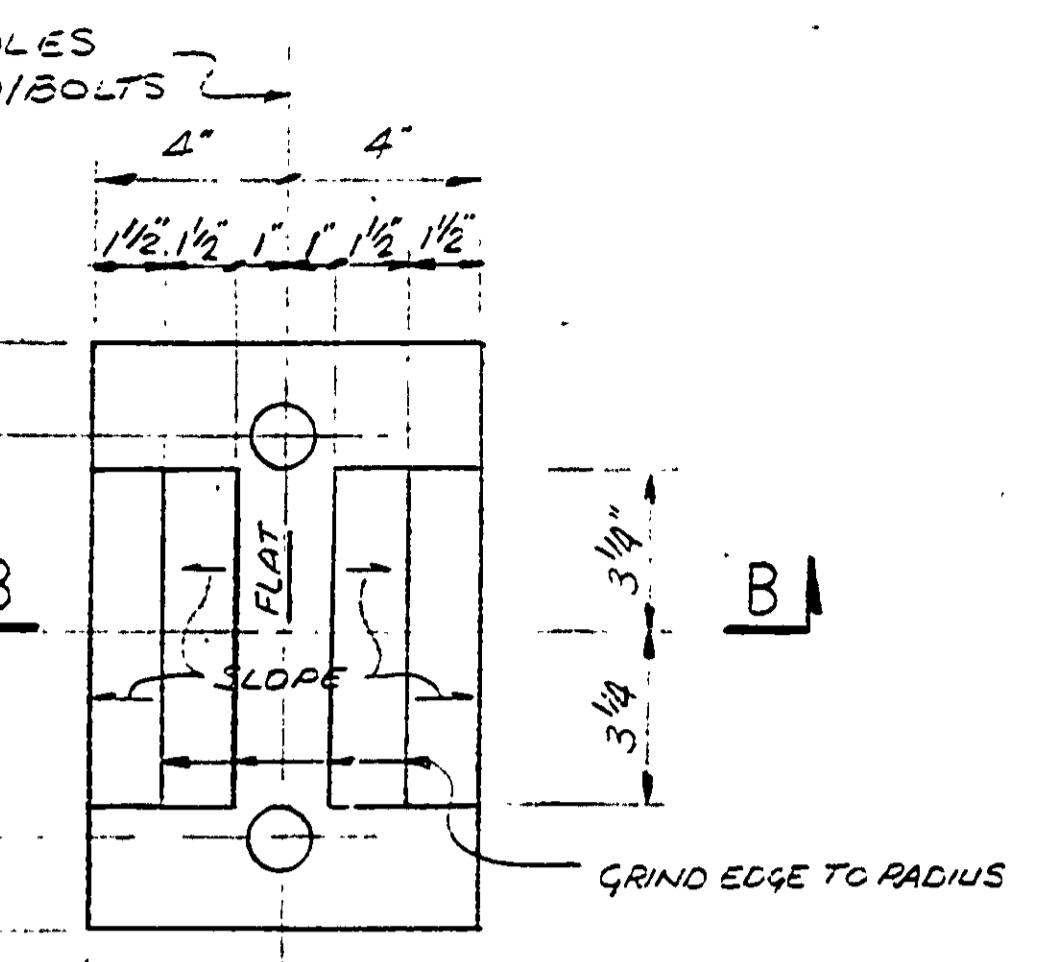
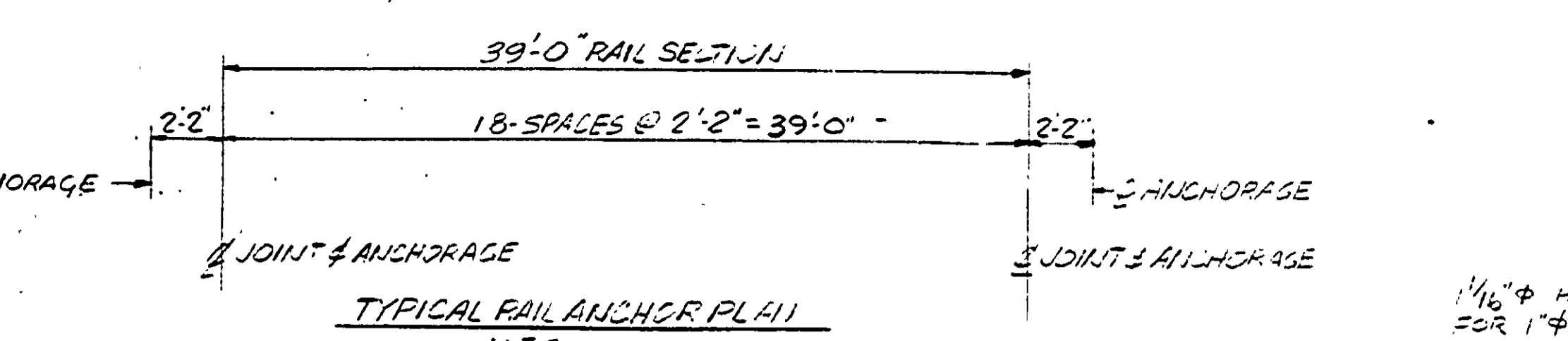
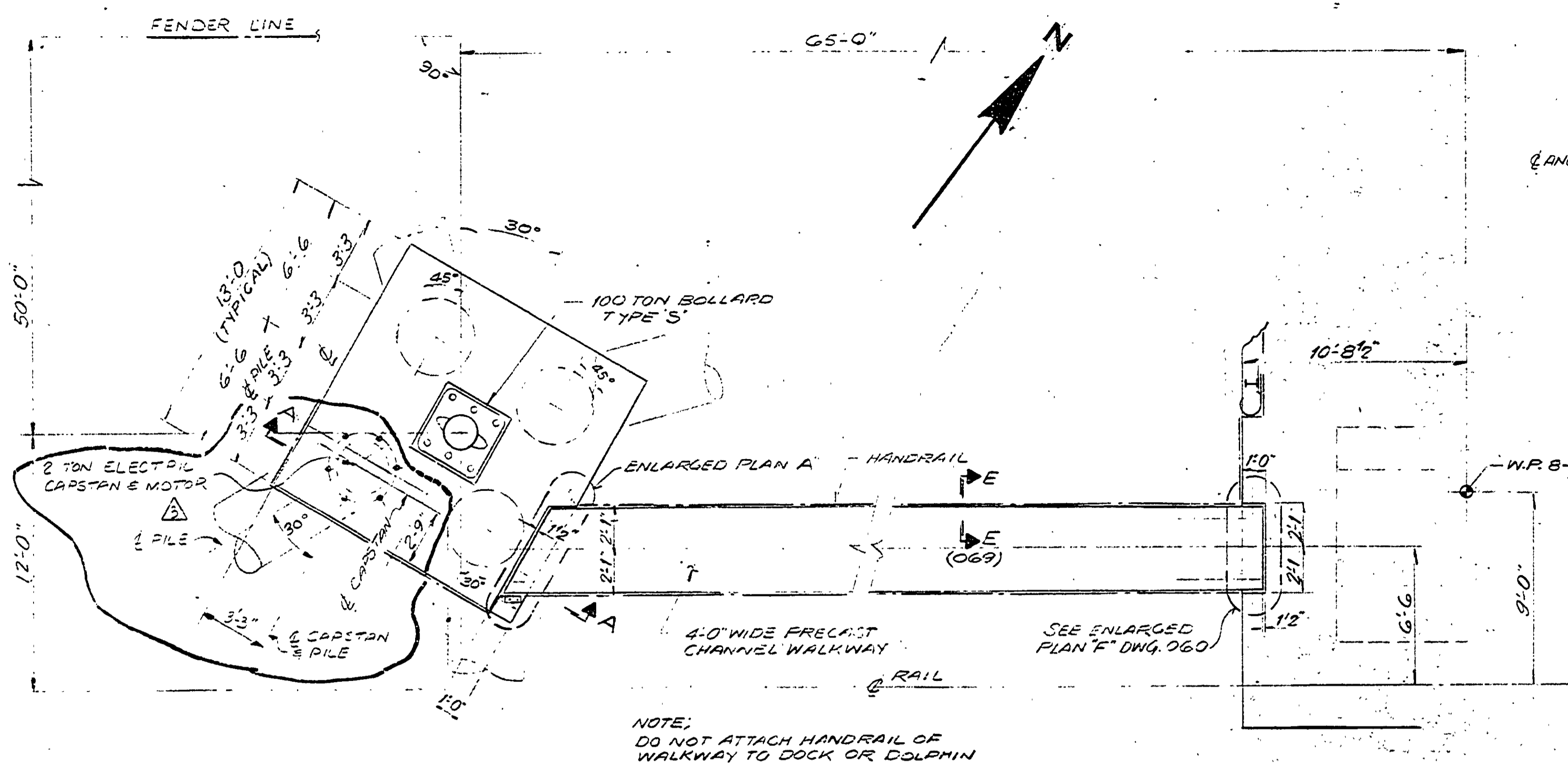
NO.	CONTRACT	SHOP BILL NO.
RECD	NO.	
PACIFIC COAL CORPORATION		
COAL EXPORT TERMINAL		
PORTLAND, OREGON		
DOCK FENDERING SYSTEM		
SCALE 3/4"=1'-0" U.N.O.		APP'D
DR BOODY	DR/CHK	DATE 3/18/82
CHK WPG		

This drawing, including the information it contains, is the property of Dravo Corporation. It is submitted only in connection with the transaction to which it pertains and must not be used in any manner detrimental to the interests of Dravo Corporation. The drawing is not to be copied and must be returned upon request.

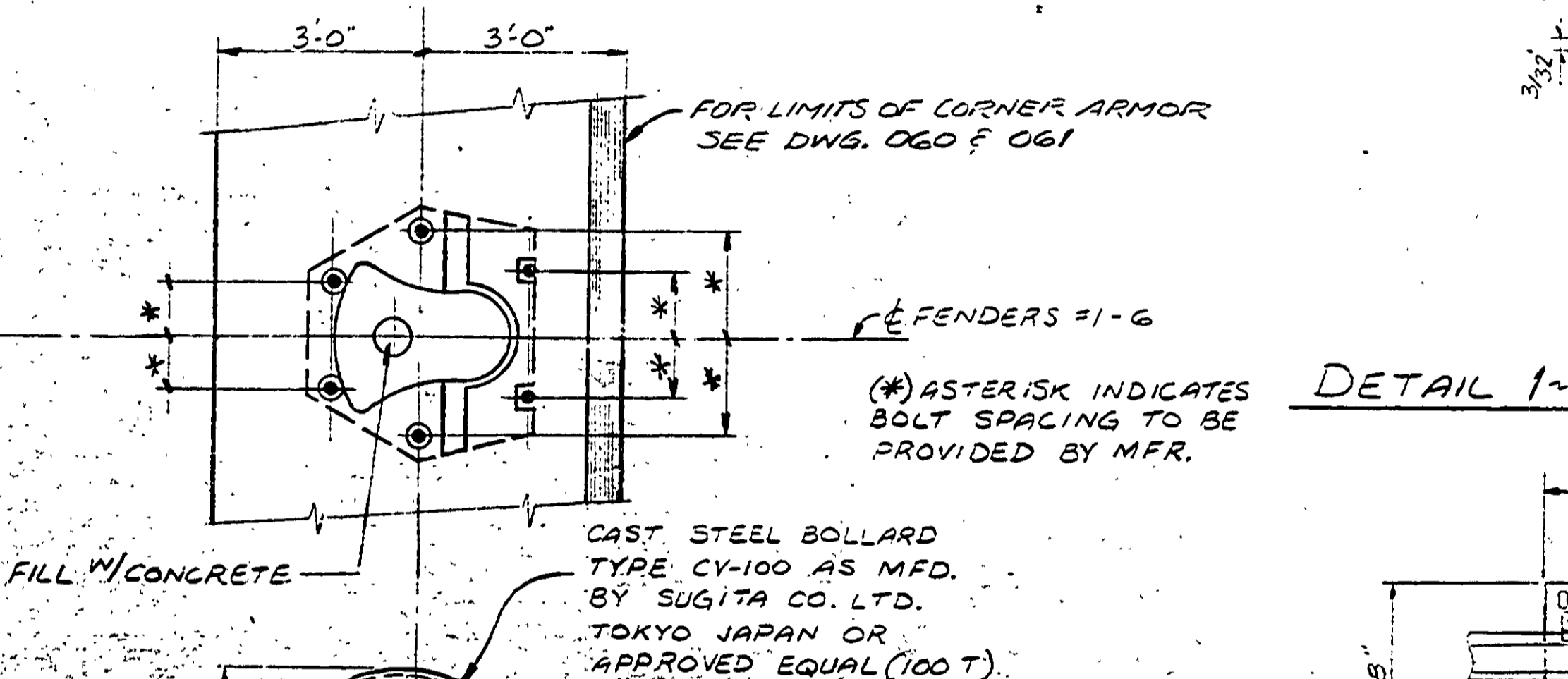
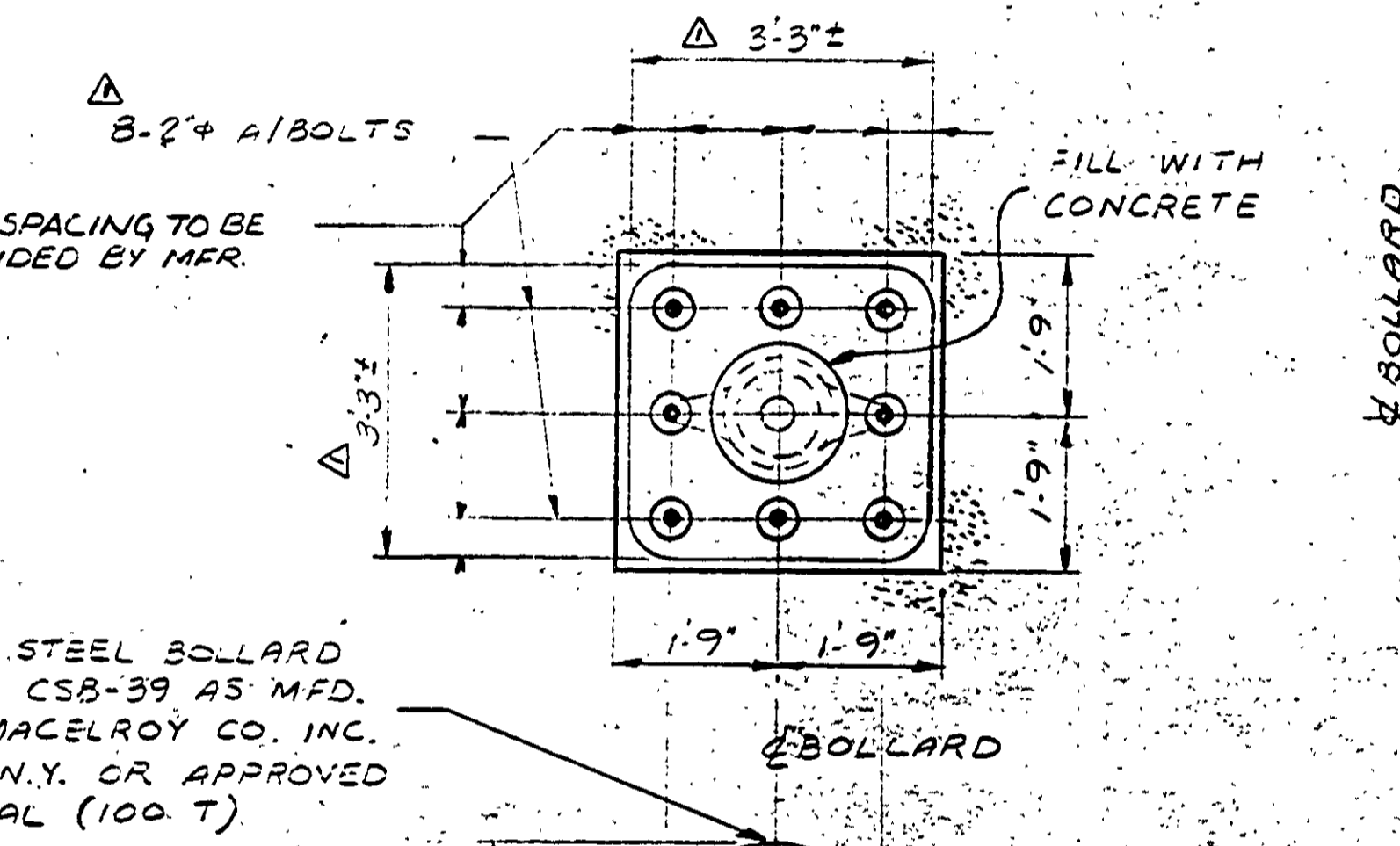
Dravo
 DRAVO CORPORATION, PITTSBURGH, PA. DIV DEFC

CONTR. NO.	REFERENCE DWGS.	SHEET
0	1	8
1	2	7
2	3	6
3	4	5
4	5	4
5	6	3
6	7	2
7	8	1
8		

REV.	DESCRIPTION	DATE	REF.
1	RELEASED FOR CONSTRUCTION	2/12/82	
2	REVISED RAIL ANCHORAGE AND BOLLARD TYPE C ANCHORAGE ALSO ADDED RAIL EXPANSION JOINT	3/11/82	
3	REV. TYPE 'S' BOLLARD 21 BOLTS	4/14/82	
4	REV. CAPSTAN-ADDED 21 BOLTS	5/2/82	

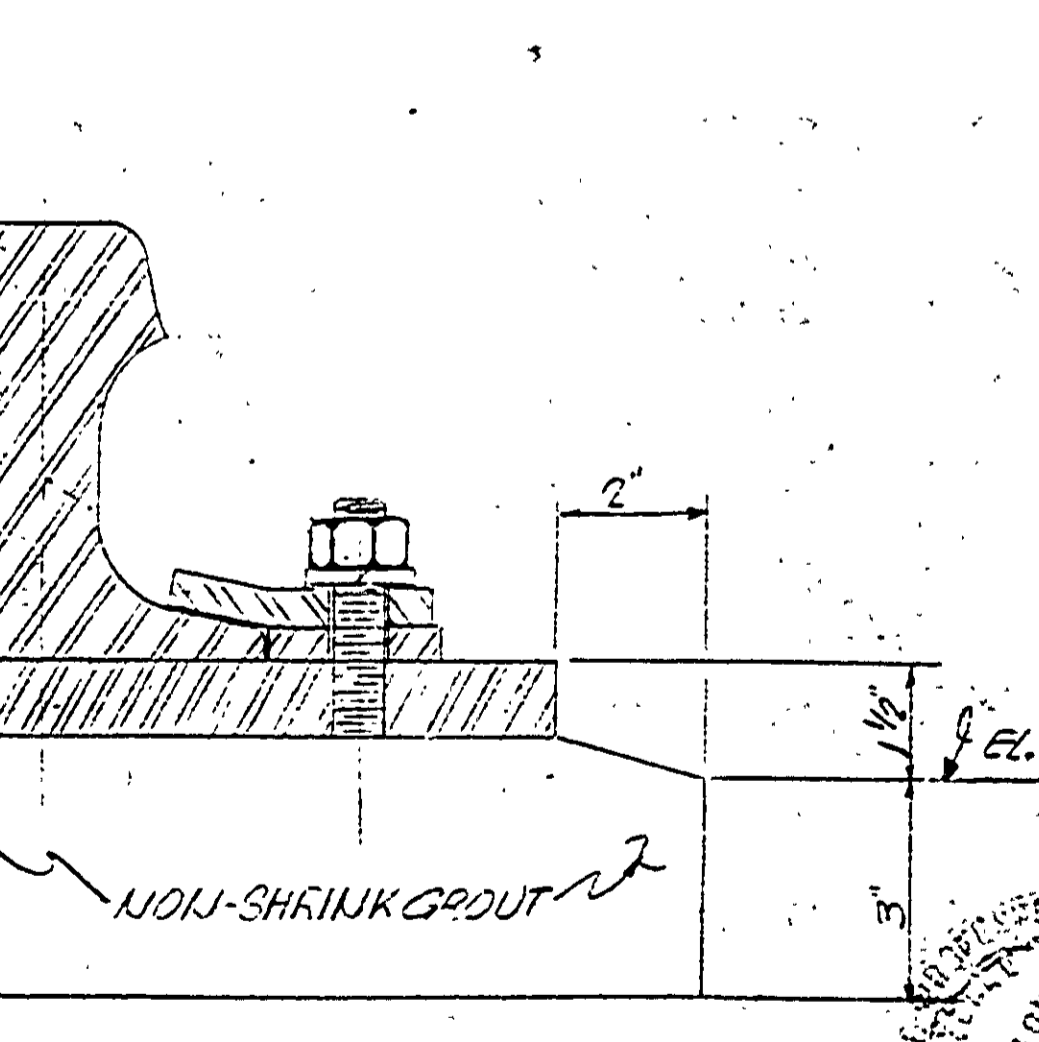
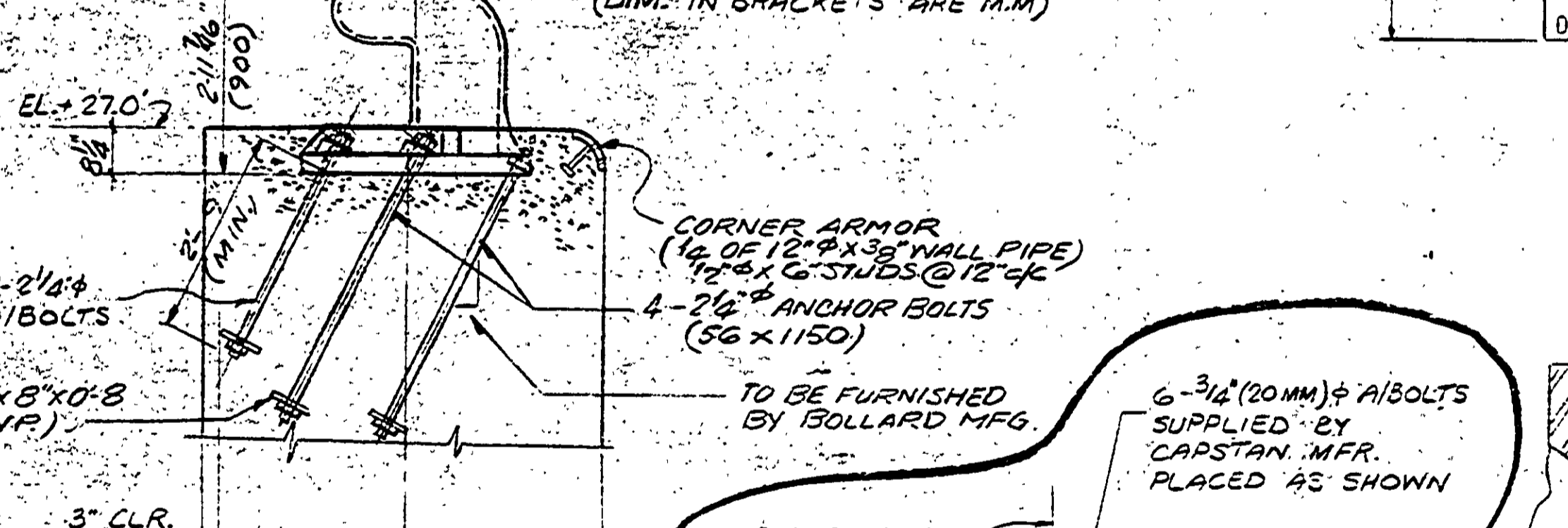
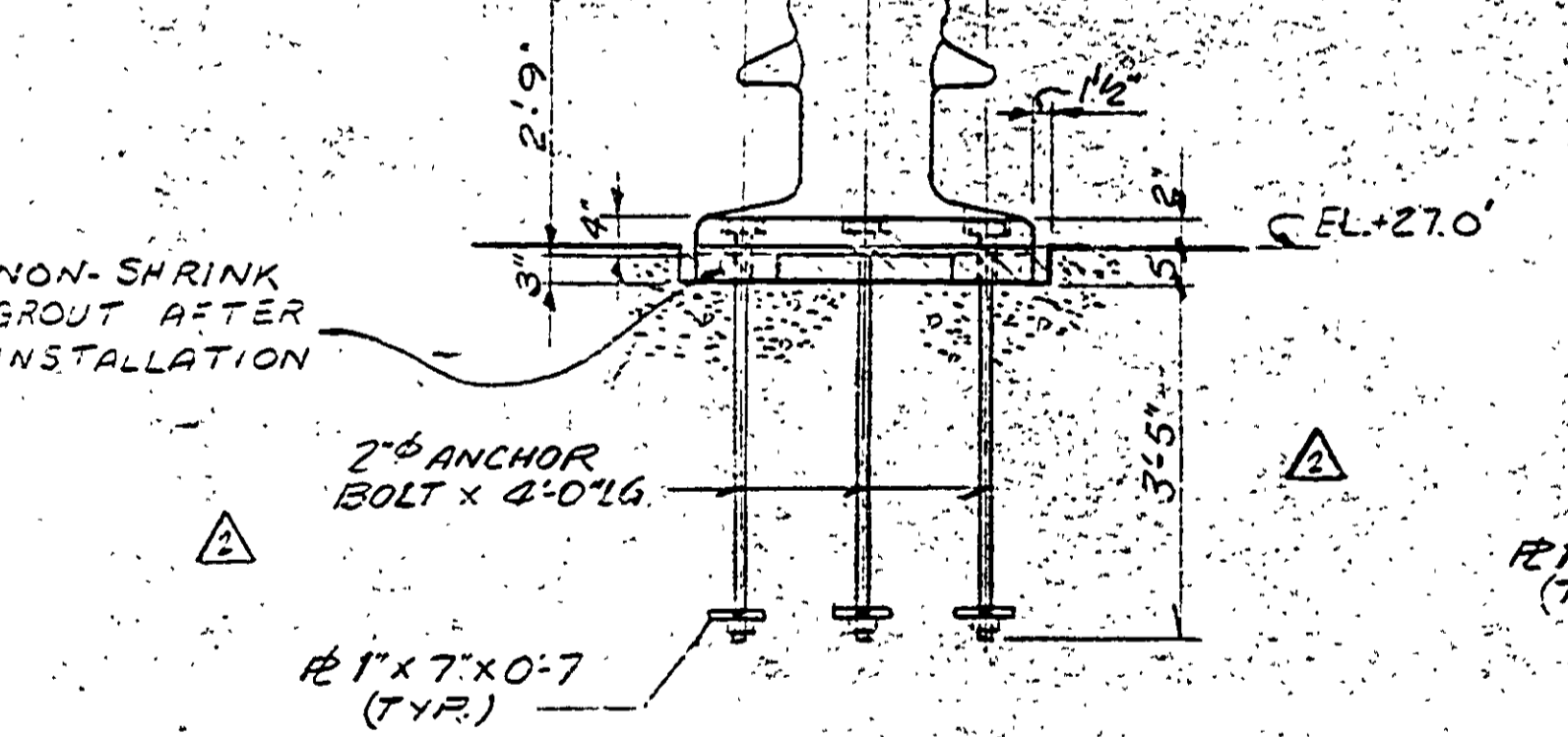
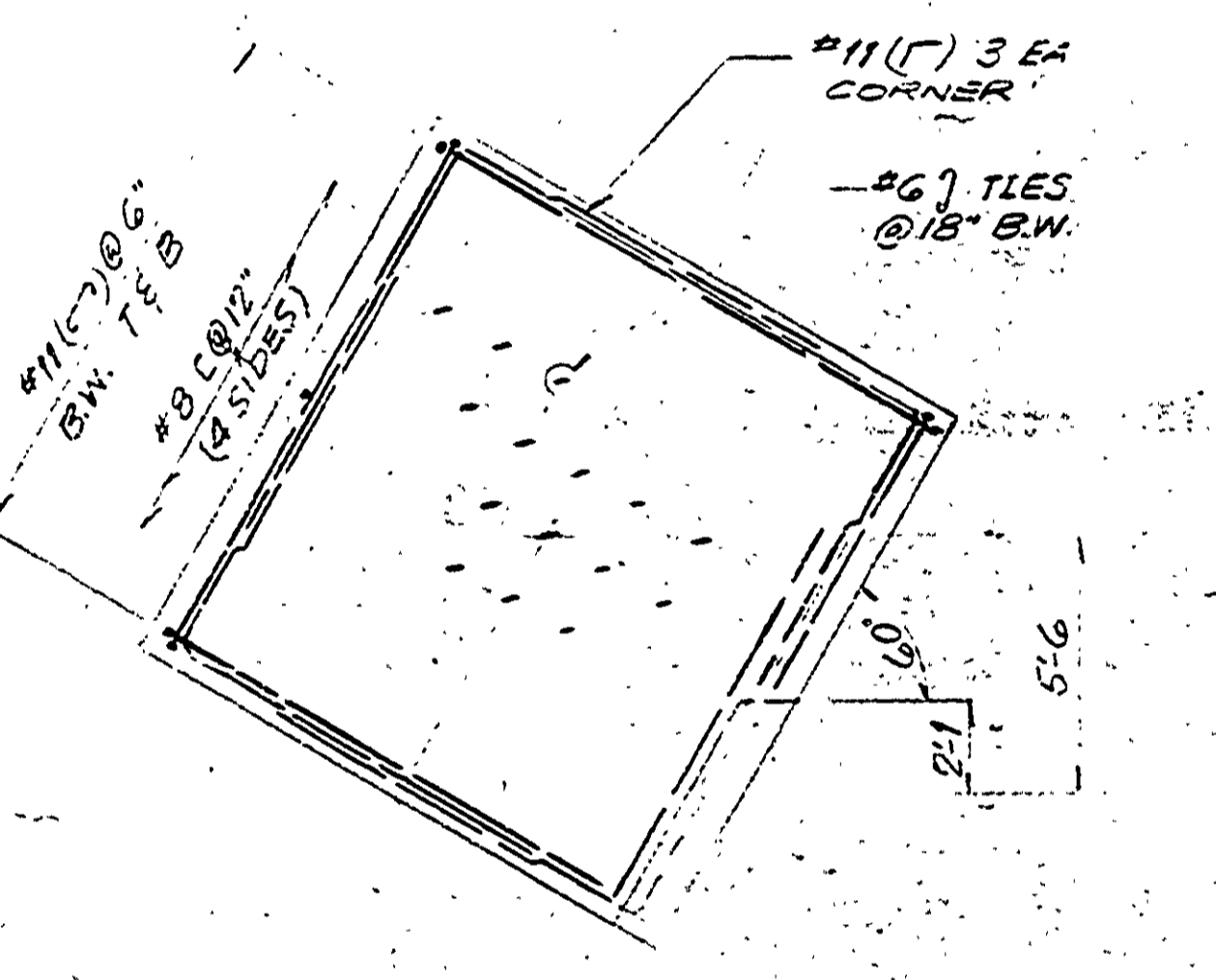
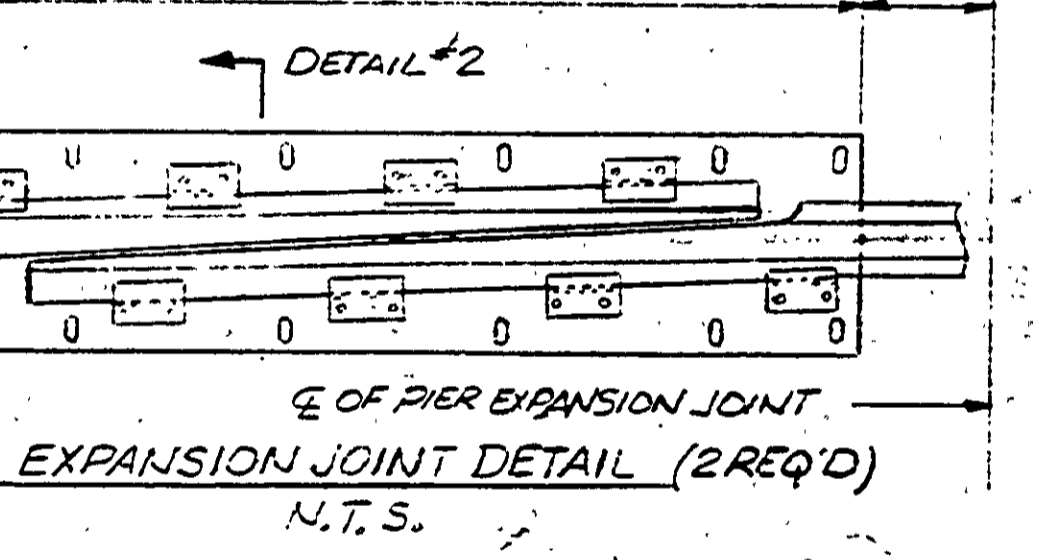


PLAN - MOORING DOLPHIN
SCALE: 1/4" = 1'-0"



SECTION B-B
SCALE: 3" = 1'-0"

DETAIL 1 - 3/4" RAIL ANCHORAGE
SCALE: 3" = 1'-0"

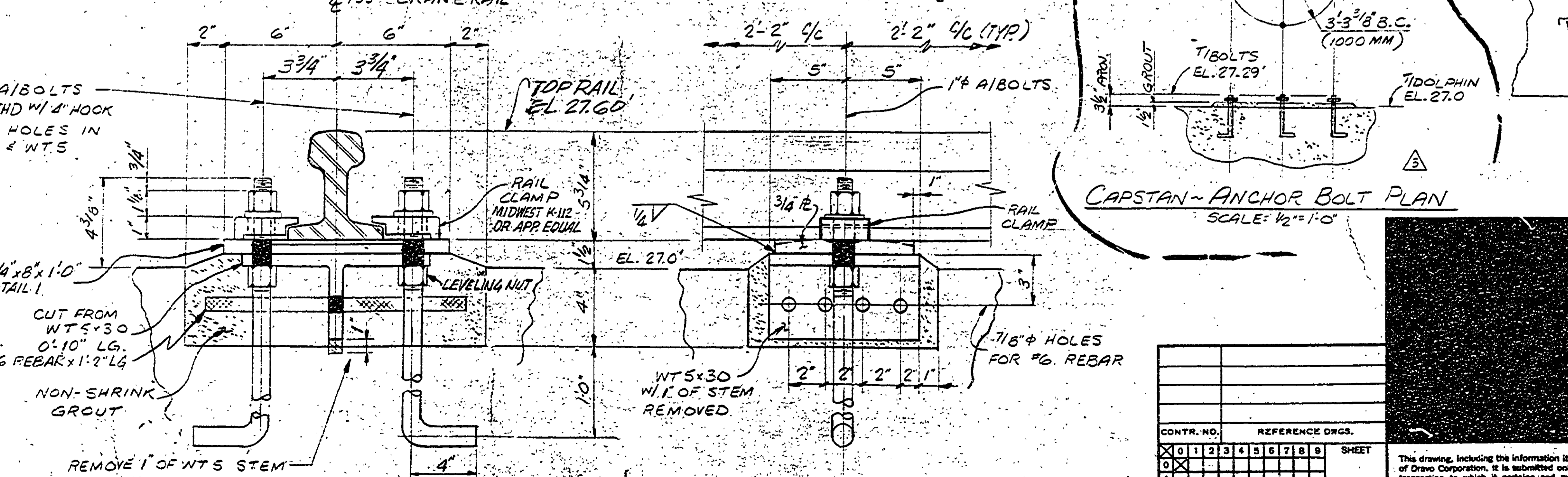
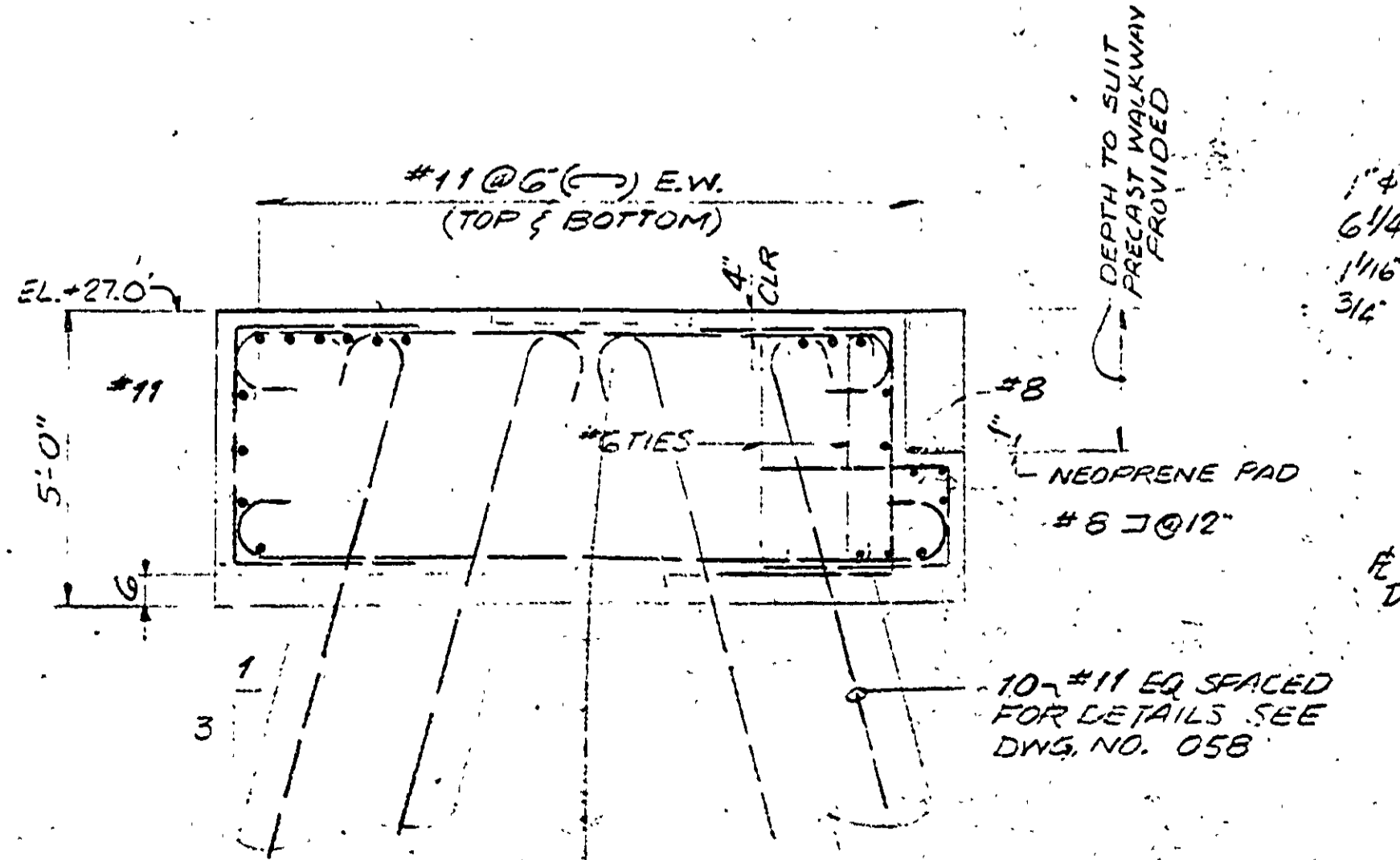


PLAN - REINFORCING
SCALE: 1/4" = 1'-0"

BOLLARD TYPE "S"
SCALE: 1/2" = 1'-0"

BOLLARD TYPE "C"
SCALE: 1/2" = 1'-0"

DETAIL 2
N.T.S.

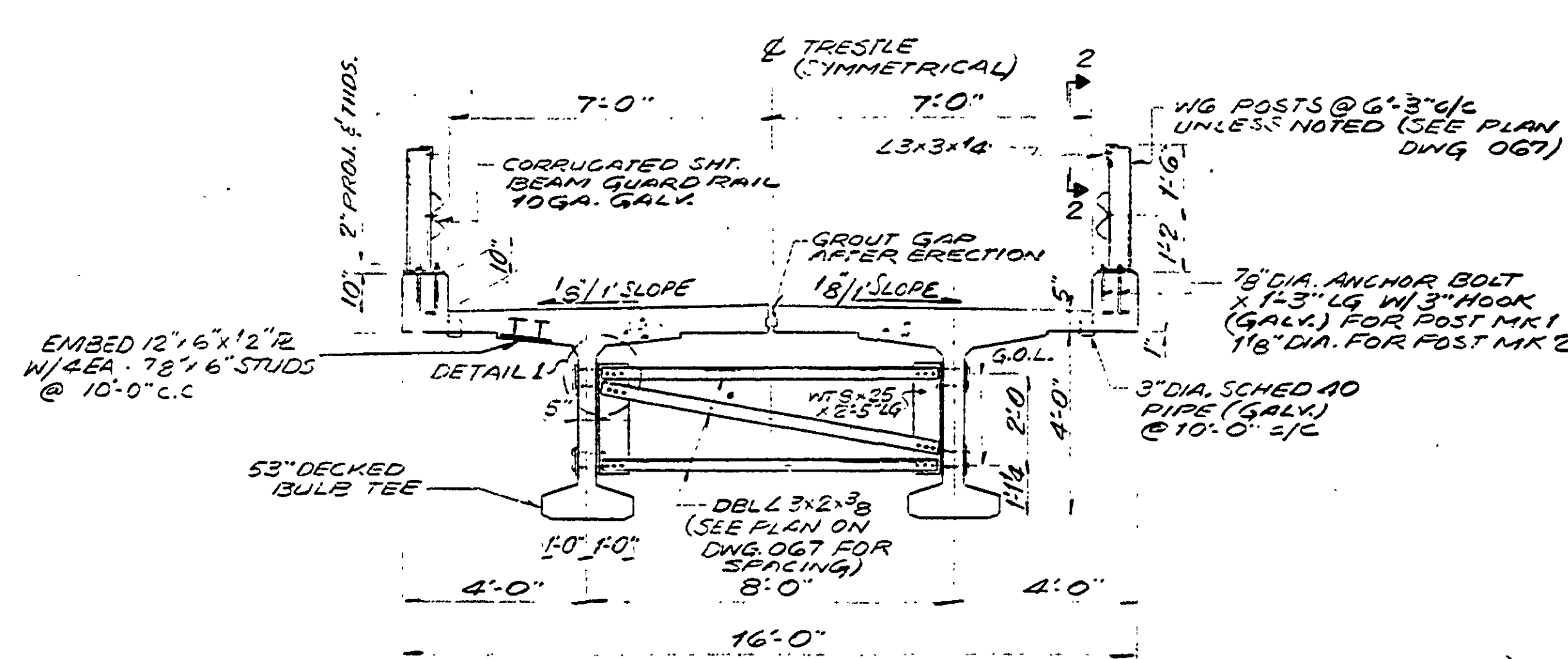


SECTION A-A
SCALE: 3/16" = 1'-0"

RAIL ANCHORAGE DETAIL
N.T.S.

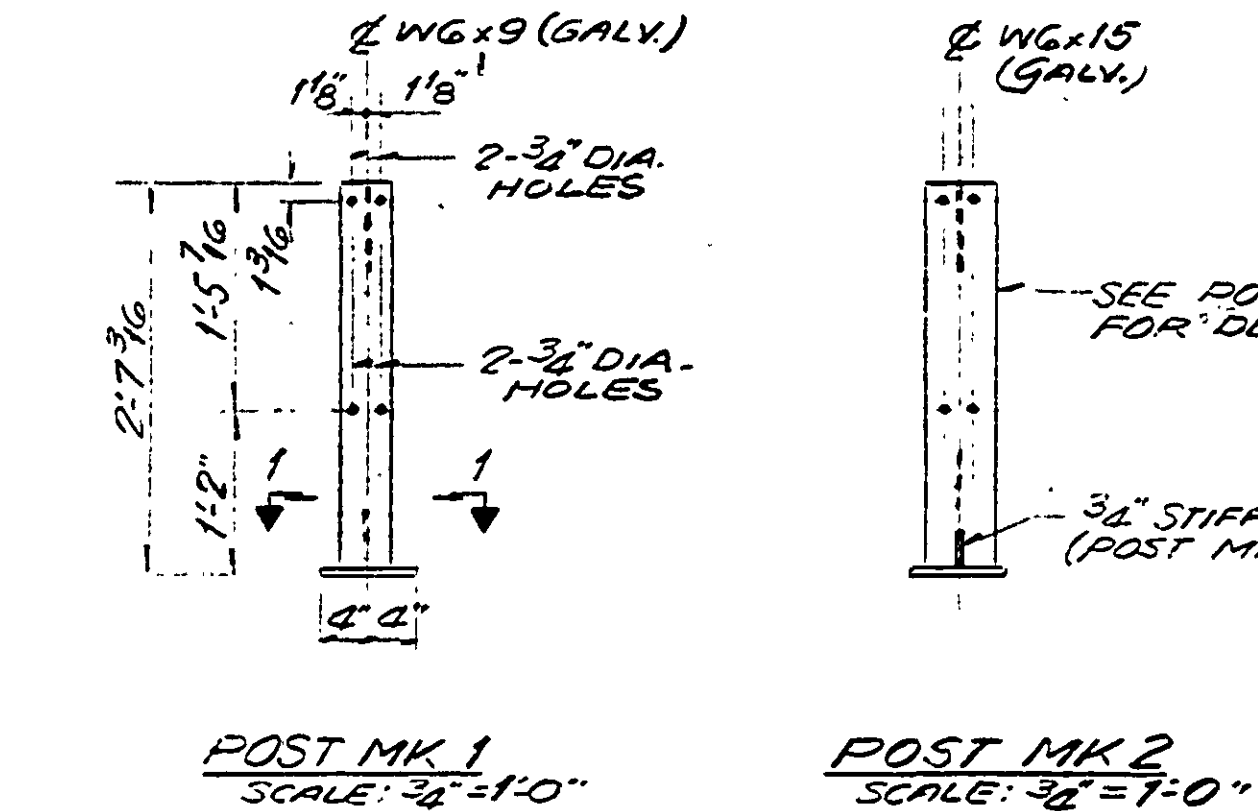
NO. REC'D	CONTRACT NO.	SHOP BILL NO.															
PACIFIC COAL CORPORATION COAL EXPORT TERMINAL PORTLAND, OREGON MOORING DOLPHIN & MISC. DETAILS																	
SCALE AS NOTED	APP'D	DATE															
DR EJS	3-12-82	3/16/82															
CHK WPG	3-15-82																
<table border="1"> <tr> <td>CONTR. NO.</td> <td>REFERENCE DWG.</td> <td>SHEET</td> </tr> <tr> <td>0</td> <td>1</td> <td>2</td> </tr> <tr> <td>3</td> <td>4</td> <td>5</td> </tr> <tr> <td>6</td> <td>7</td> <td>8</td> </tr> <tr> <td>9</td> <td>10</td> <td>11</td> </tr> </table>			CONTR. NO.	REFERENCE DWG.	SHEET	0	1	2	3	4	5	6	7	8	9	10	11
CONTR. NO.	REFERENCE DWG.	SHEET															
0	1	2															
3	4	5															
6	7	8															
9	10	11															
<p>This drawing, including the information it contains, is the property of Dravo Corporation. It is submitted only in connection with the transaction to which it pertains and must not be used in any manner detrimental to the interests of Dravo Corporation. The drawing is not to be copied and must be returned upon request.</p>																	
DRAWING NO.		REV.															
512-4-7-066		3															

REV.	DATE	DESCRIPTION	AUTHOR	REF.
1	3/1/82	RELEASED FOR CONSTRUCTION		
2	3/1/82	GENERAL REVISIONS		
3	3/1/82	REVISED TRESTLE SUPPORT CAP		
4	3/1/82	ADDED 24" OUTFALL PIPE		
5	3/1/82	REV. PLUG WELD SECTION C-D		
6	3/1/82	ADDED 2 BOLTS AND CHG'D PILE AT BENT 24" CMP SUPPORT MODIFIED		
7	3/1/82	REV. PILE SPACING & ACCESS TRESTLE SUPPORT CAP		
8	3/1/82	REVISED TRESTLE BEARINGS		
9	3/1/82	REV. ACCESS TRESTLE BEARINGS		
10	3/1/82	24" SUPPORT CAP		
11	3/1/82	REV. PLAN-BENT		

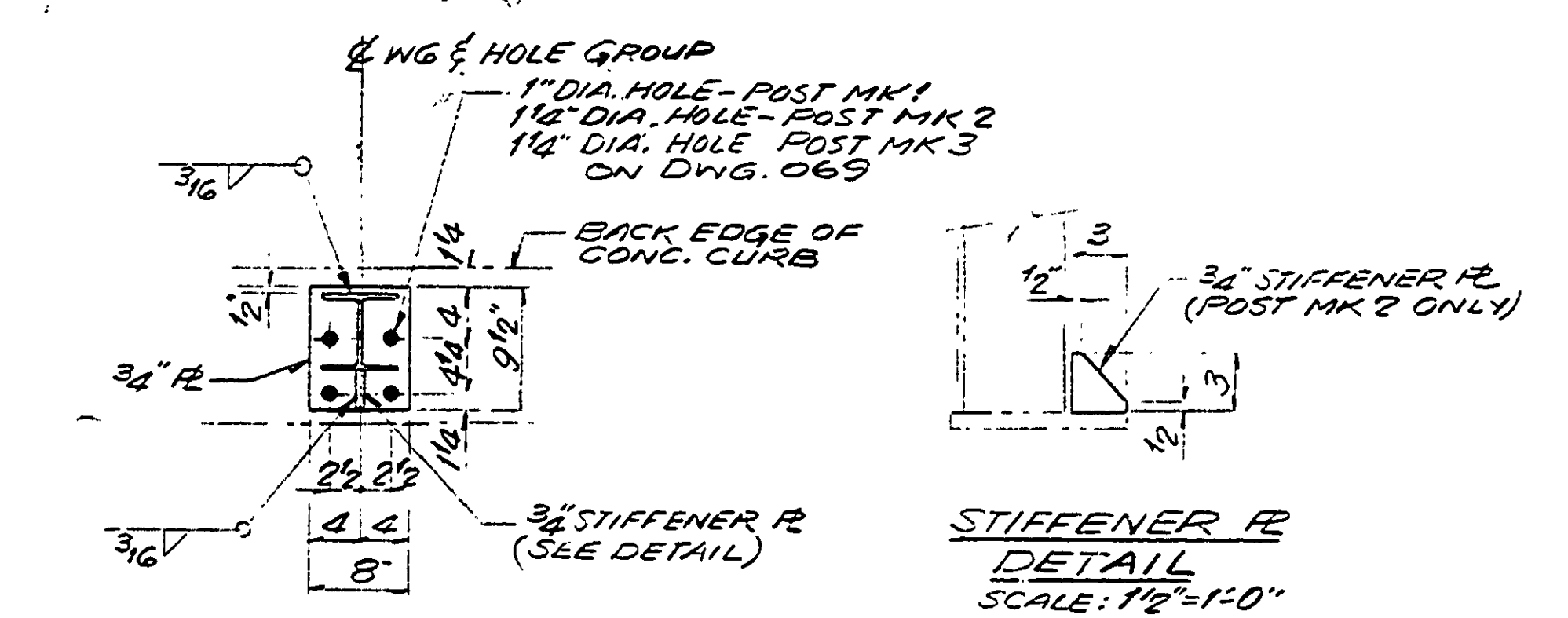


SECTION C-C
SCALE: 3/8"=1'-0"
(DWG. 067)

NOTE: CONTRACTOR MAY USE PRECAST OR CAST-IN PLACE CONCRETE DIAPHRAGMS IN LIEU OF STRUCTURAL STL.

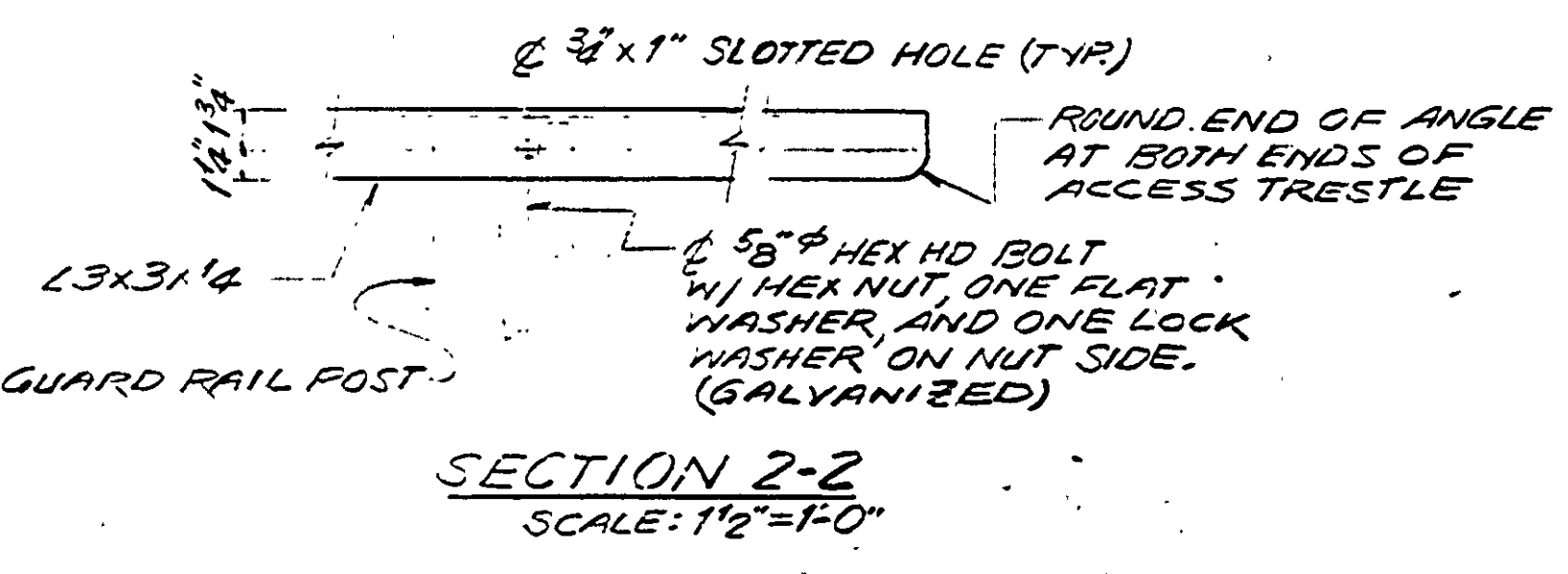


POST MK 1 SCALE: 3/4"=1'-0"
POST MK 2 SCALE: 3/4"=1'-0"

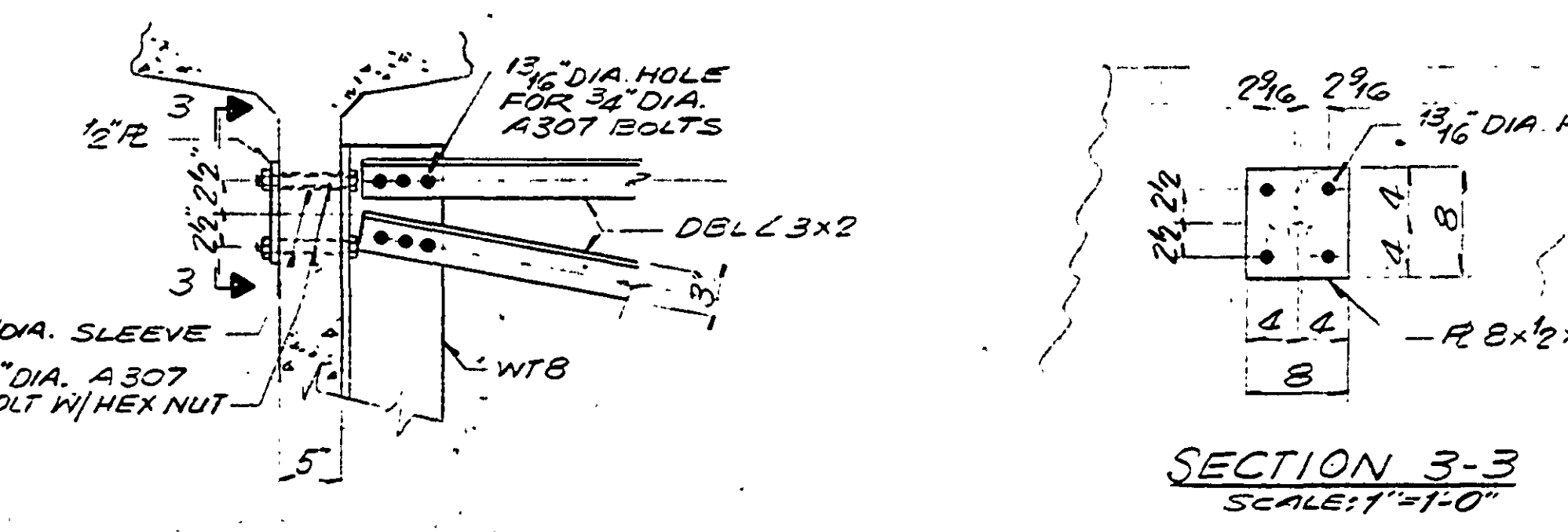


SECTION 1-1
SCALE: 1"=1'-0"

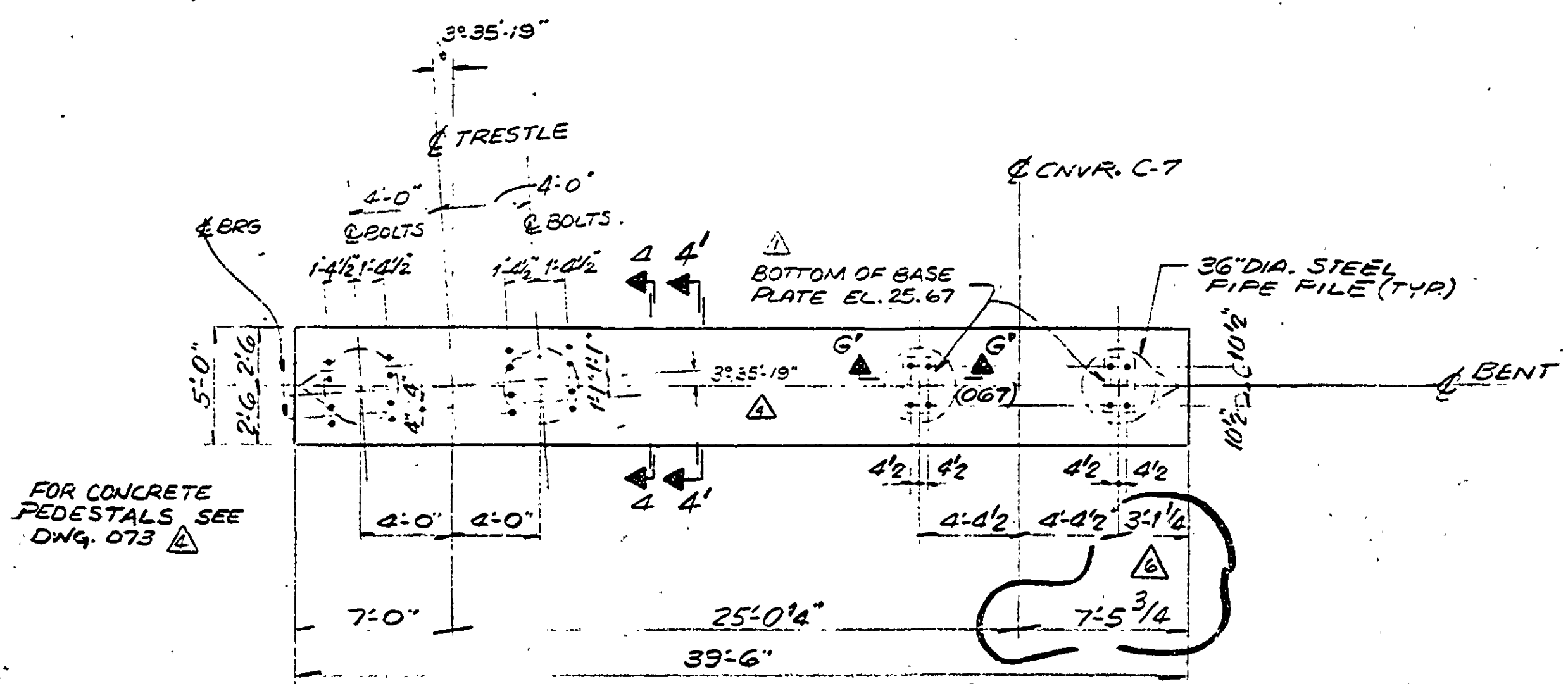
STIFFENER PLATE DETAIL
SCALE: 1/2"=1'-0"



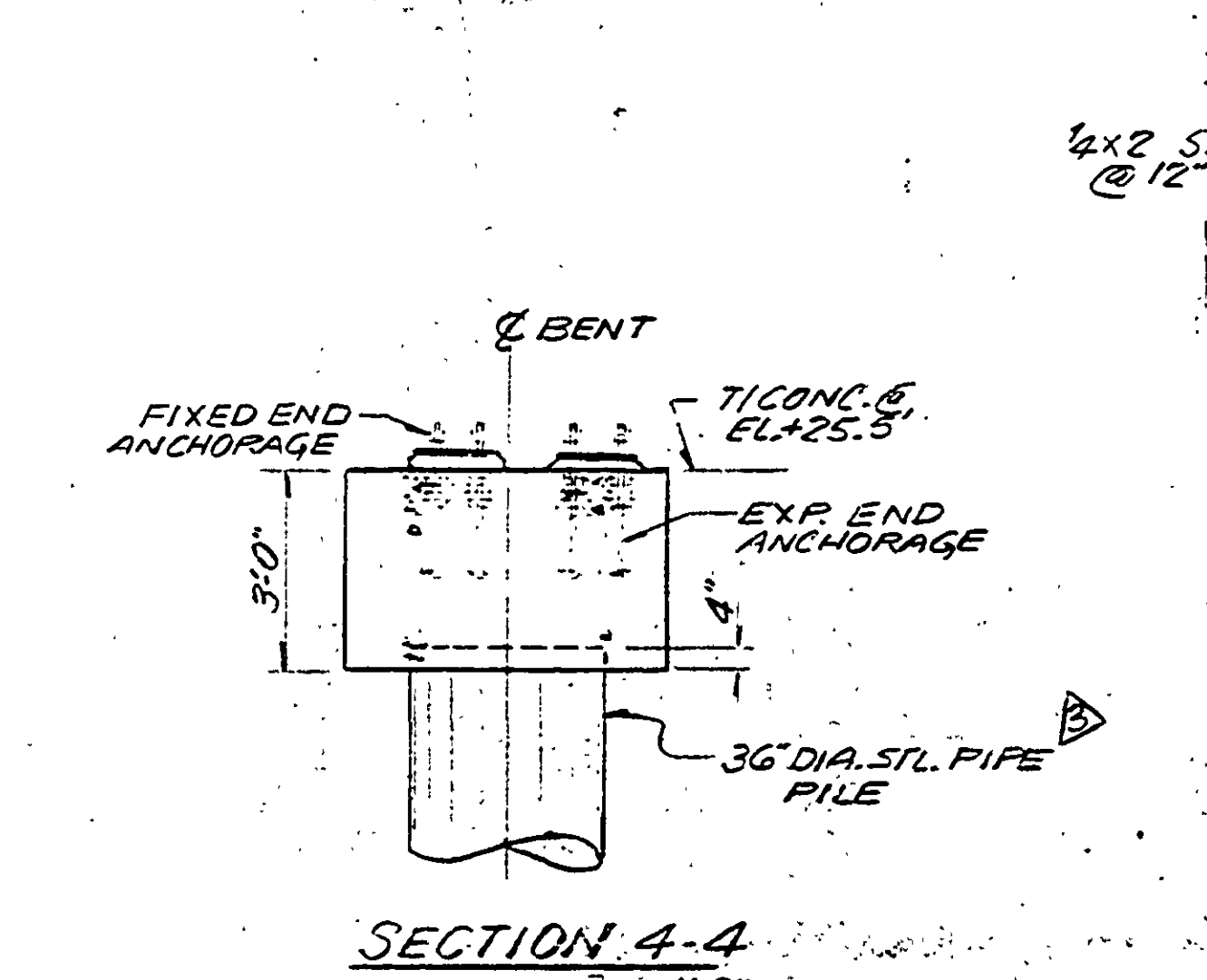
SECTION 2-2
SCALE: 1/2"=1'-0"



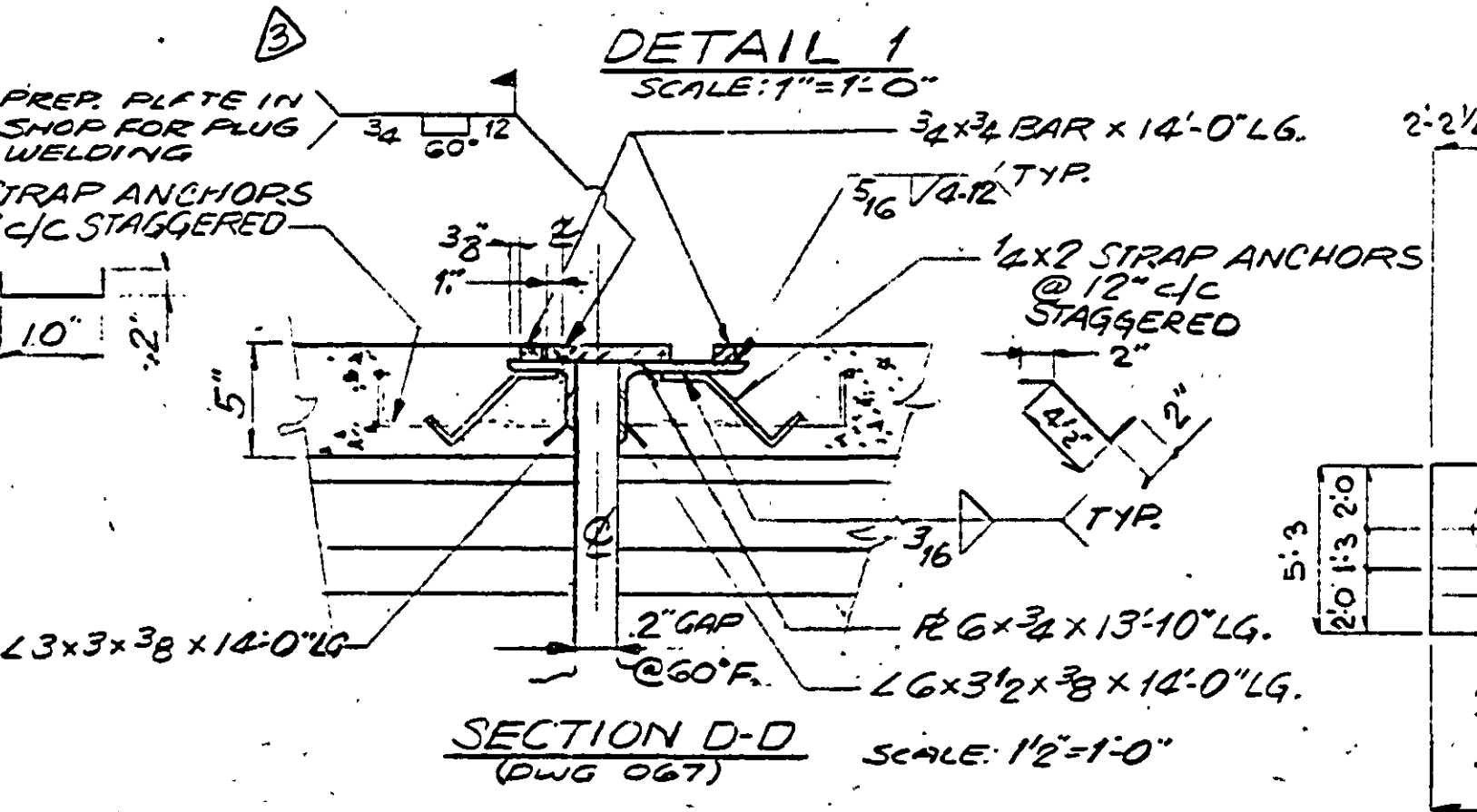
SECTION 3-3
SCALE: 1"=1'-0"



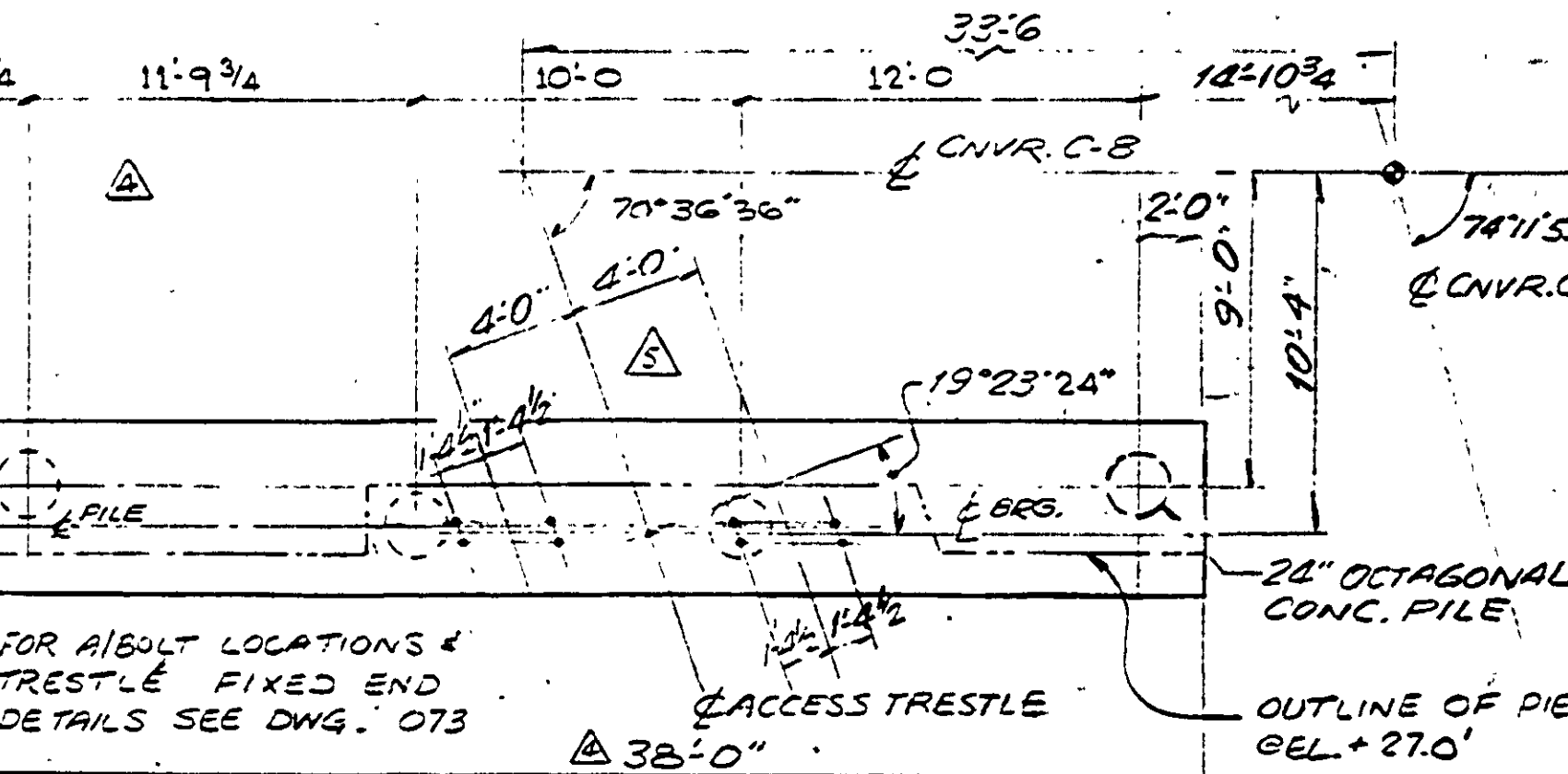
PLAN-BENT
SCALE: 3/16"=1'-0"



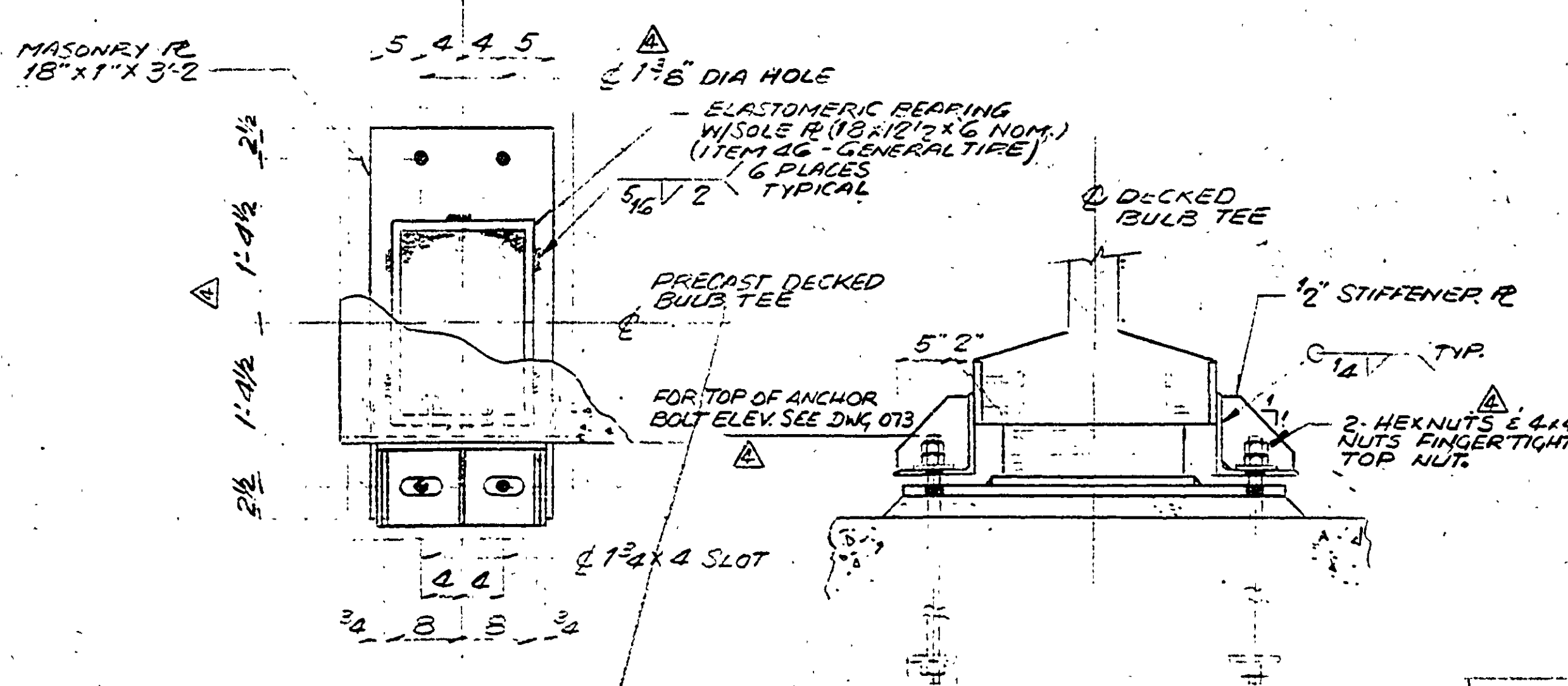
SECTION 4-4
SCALE: 3/8"=1'-0"



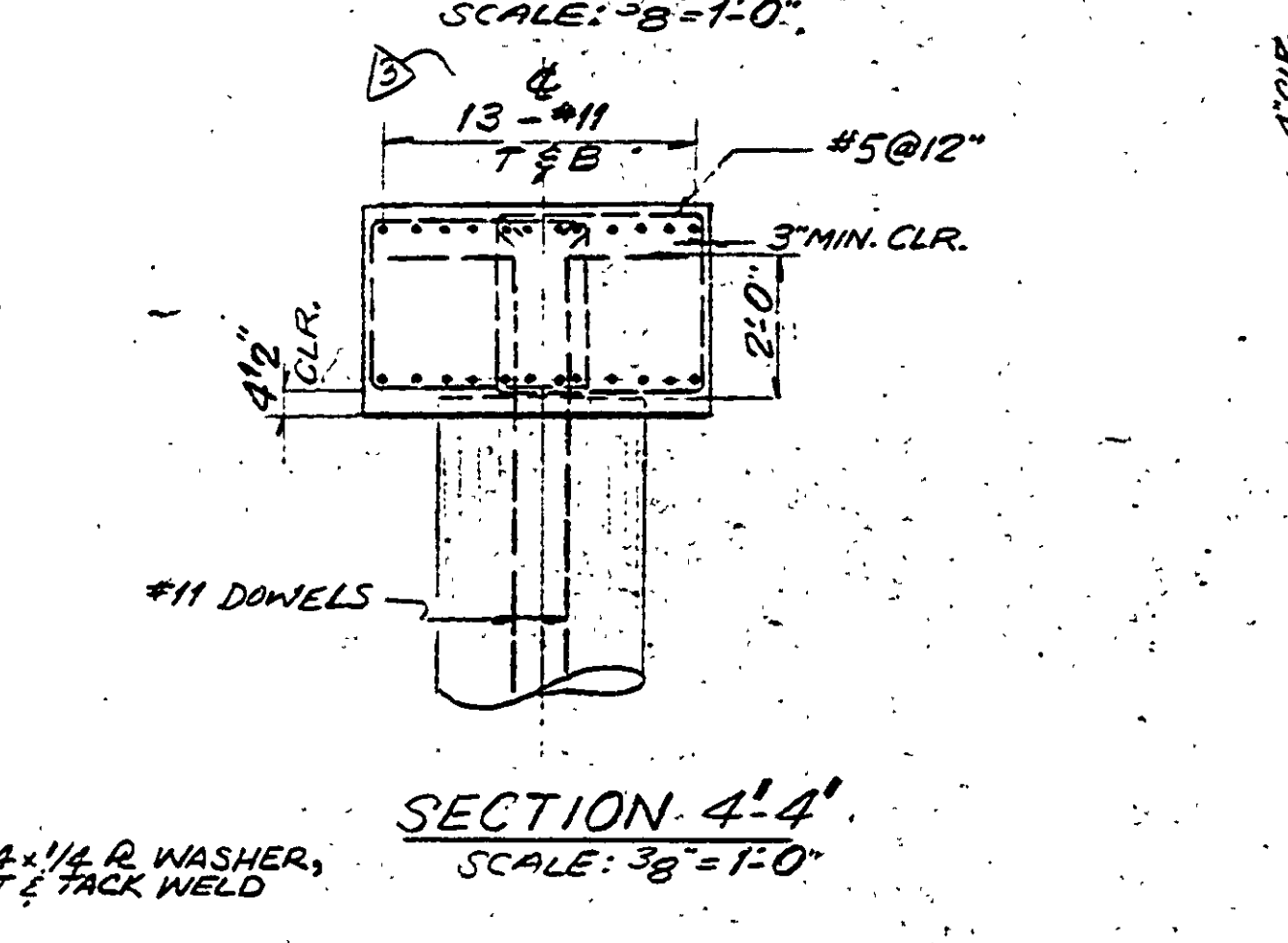
DETAIL 1
SCALE: 1"=1'-0"



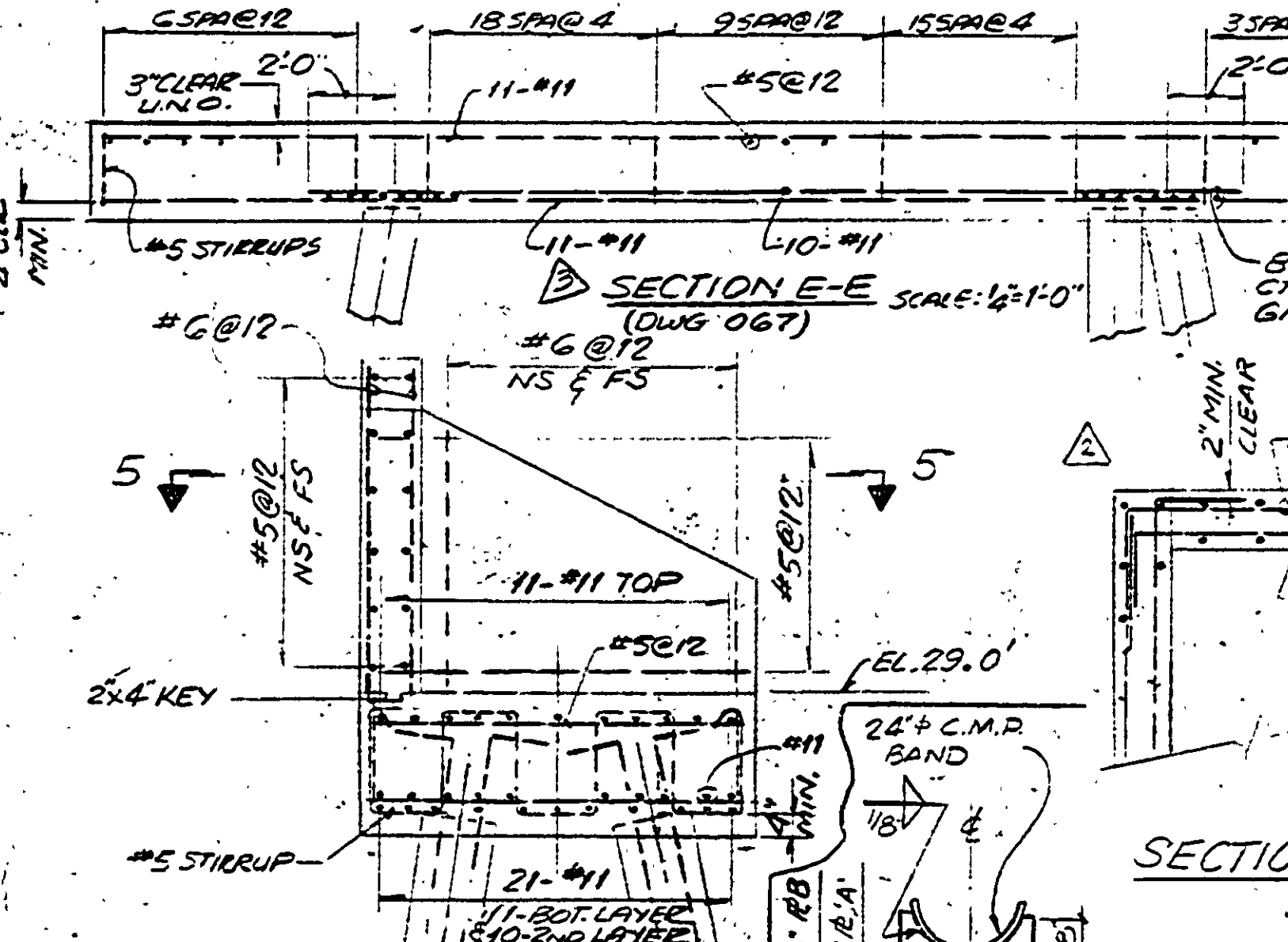
ACCESS TRESTLE SUPPORT CAP @ EL+22.0'
ANCHOR BOLT LOCATIONS
SCALE: 3/16"=1'-0"



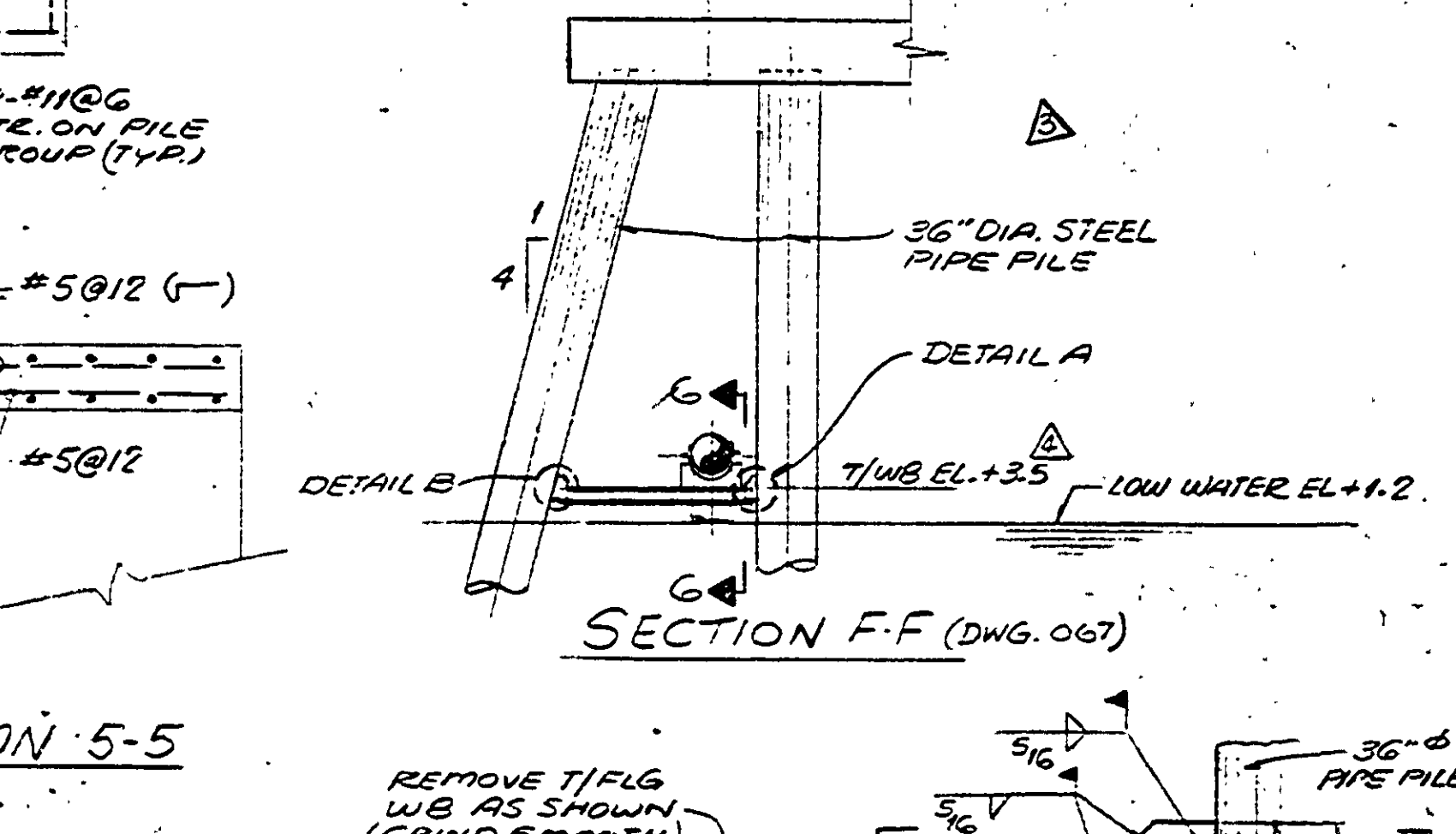
PLAN



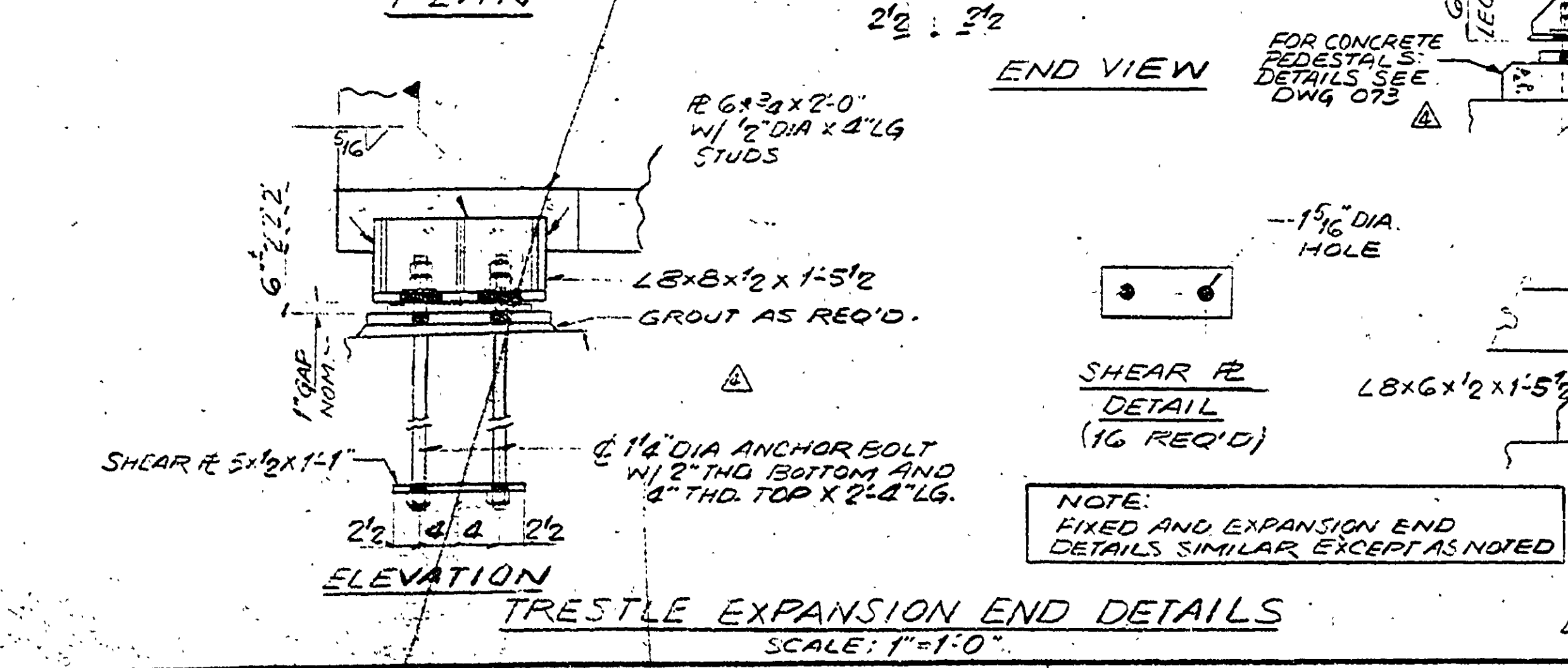
SECTION 4-4
SCALE: 3/8"=1'-0"



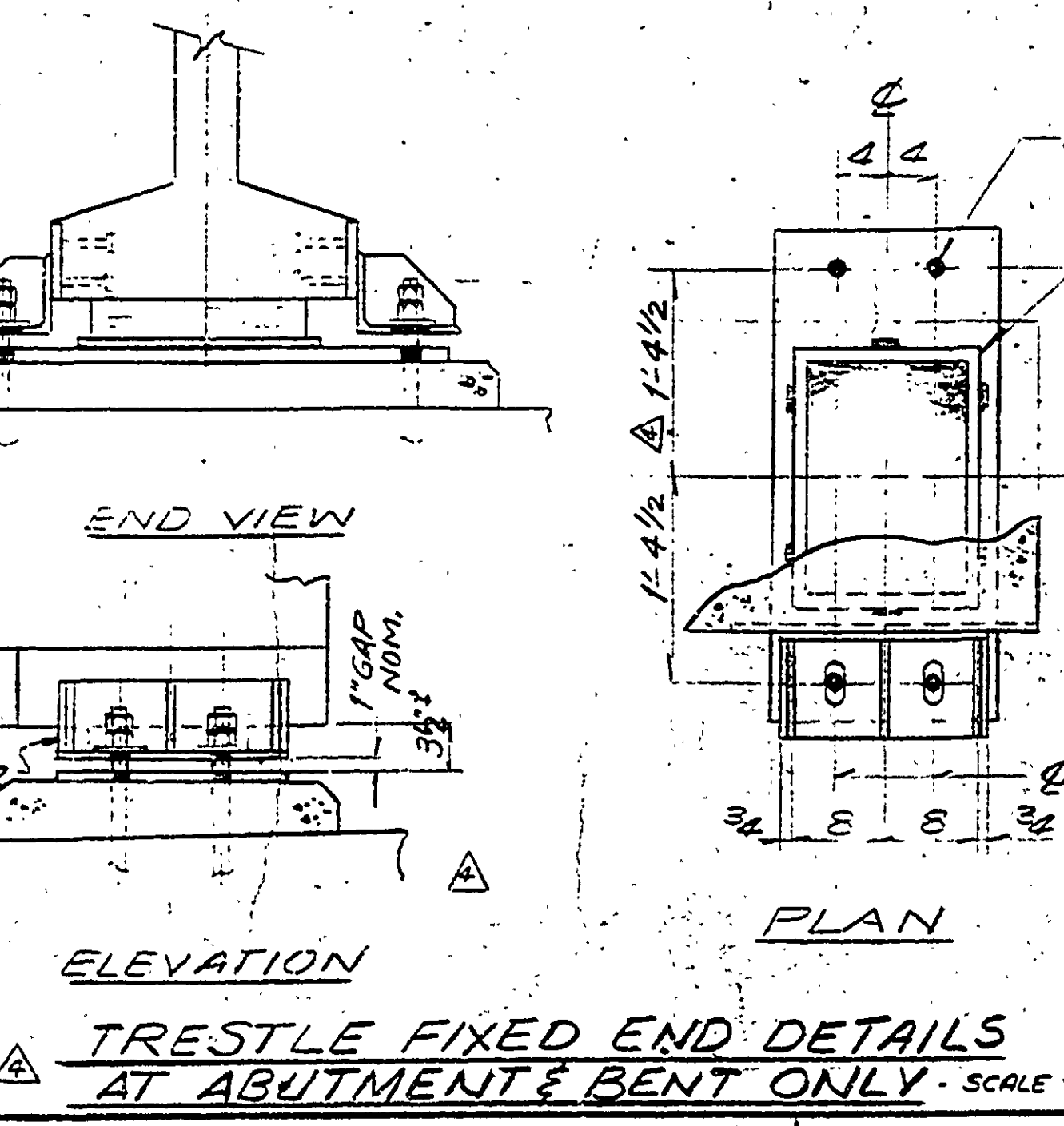
SECTION 5-5



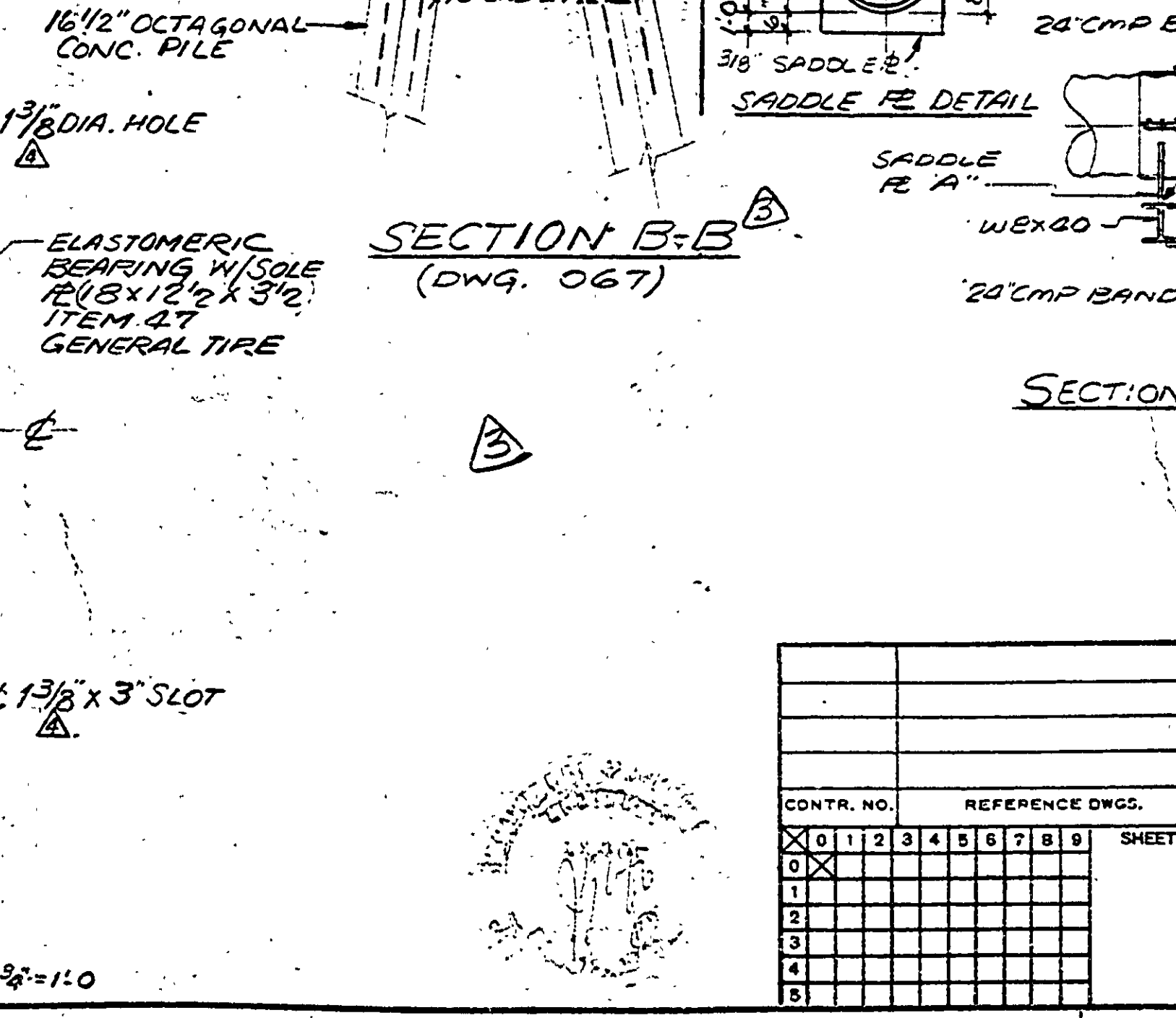
SECTION F-F (DWG. 067)



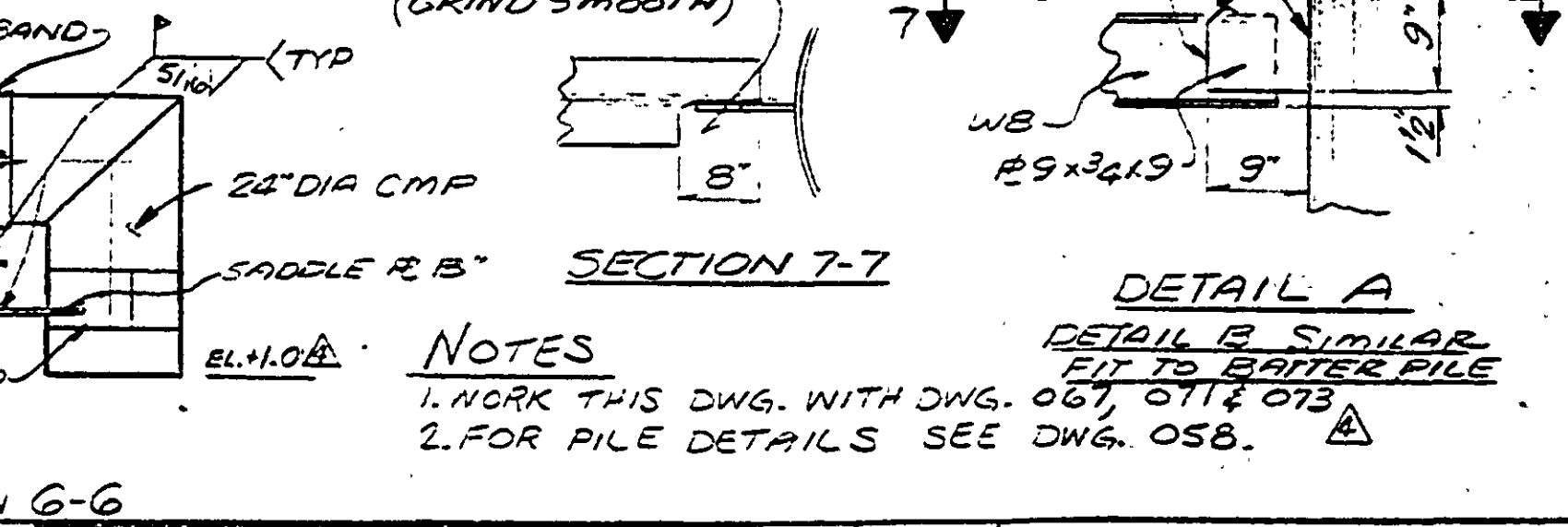
TRESTLE EXPANSION END DETAILS
SCALE: 1"=1'-0"



TRESTLE FIXED END DETAILS AT ABUTMENT & BENT ONLY
SCALE: 3/8"=1'-0"



SECTION B-B (DWG. 067)



SECTION 7-7

NOTES

1. MARK THIS DWG. WITH DWG. 067, 011 & 013
2. FOR PILE DETAILS SEE DWG. 058.

DETAIL A
DETAIL B SIMILAR FIT TO BARRIER PILE

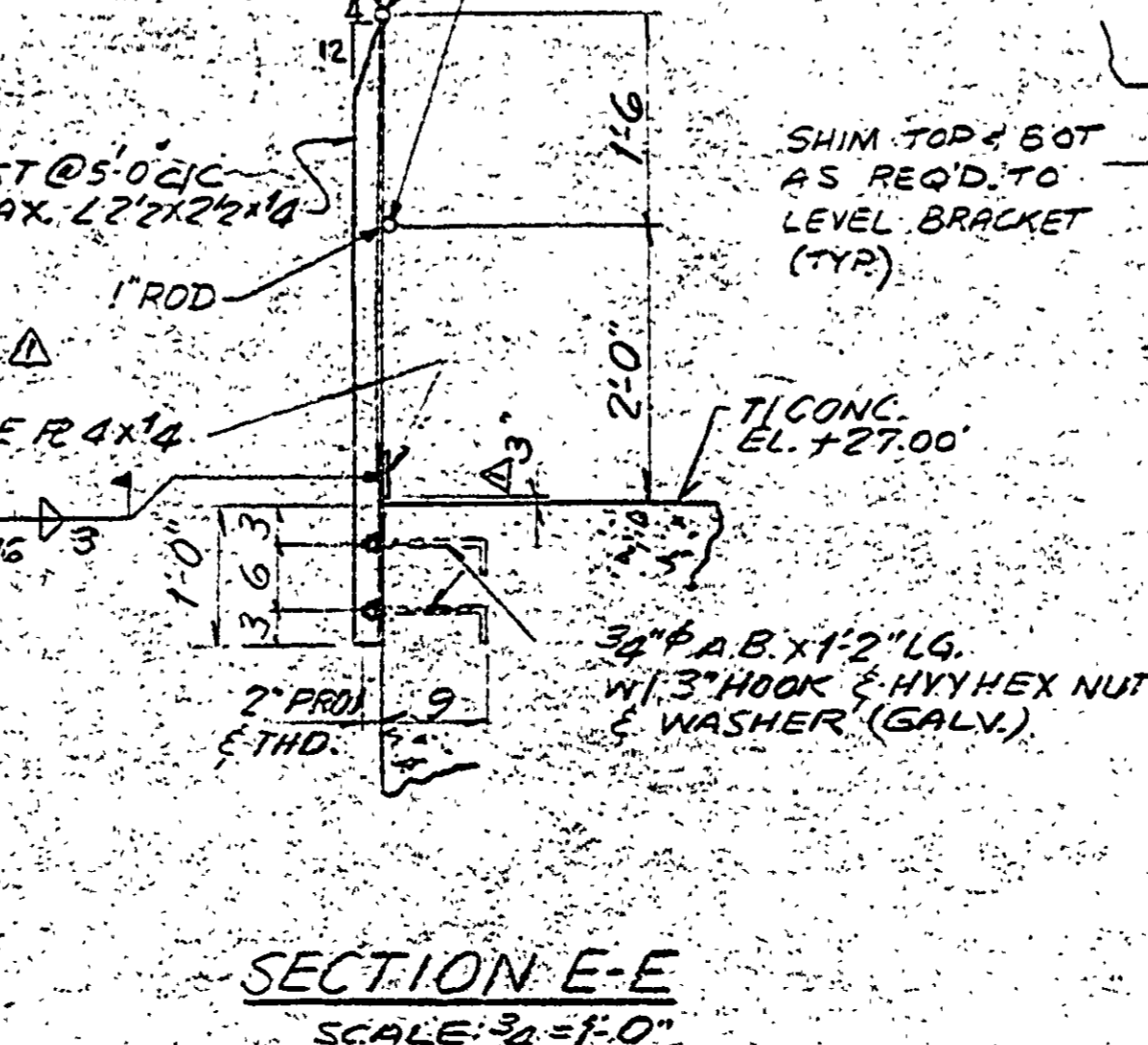
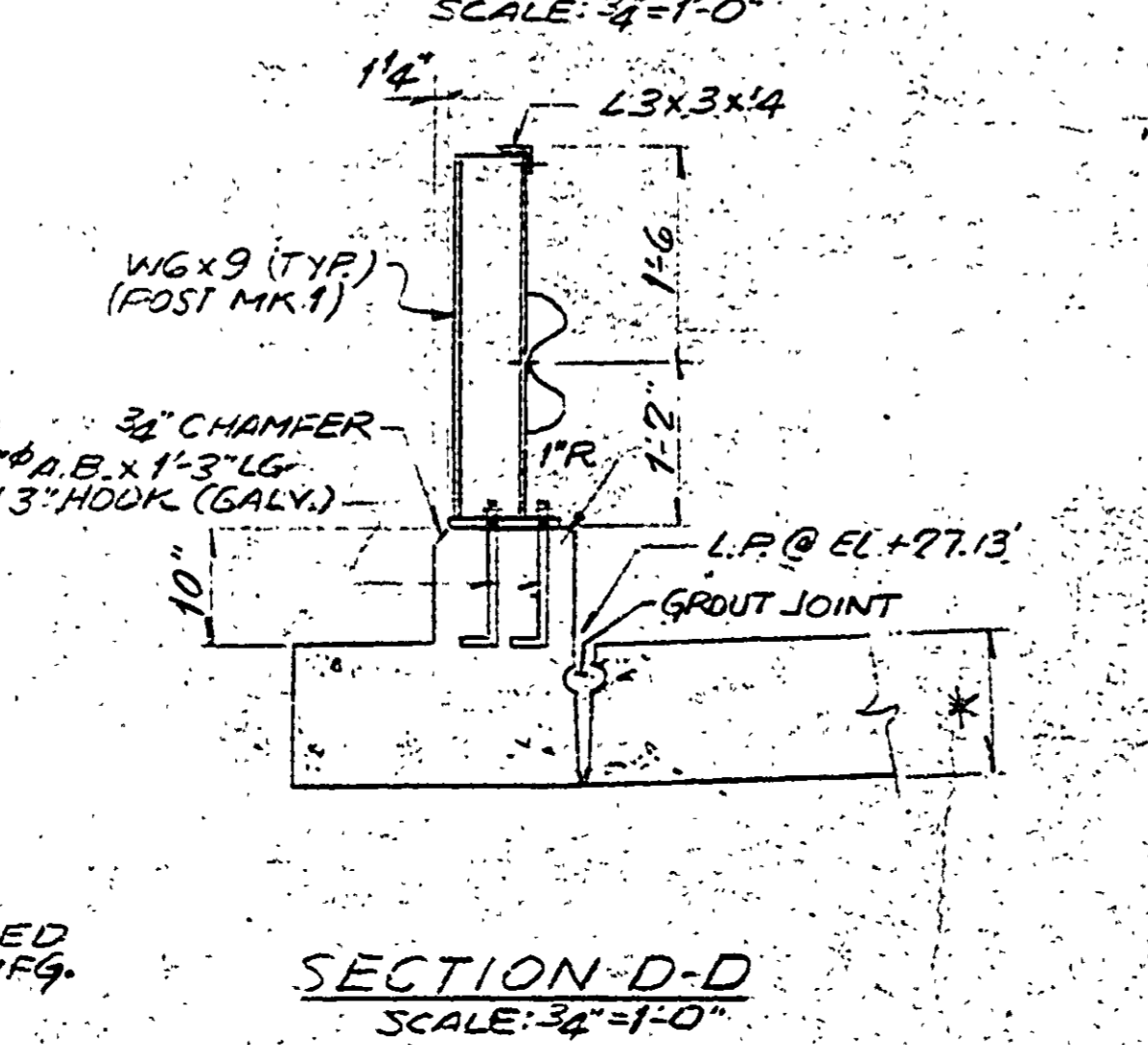
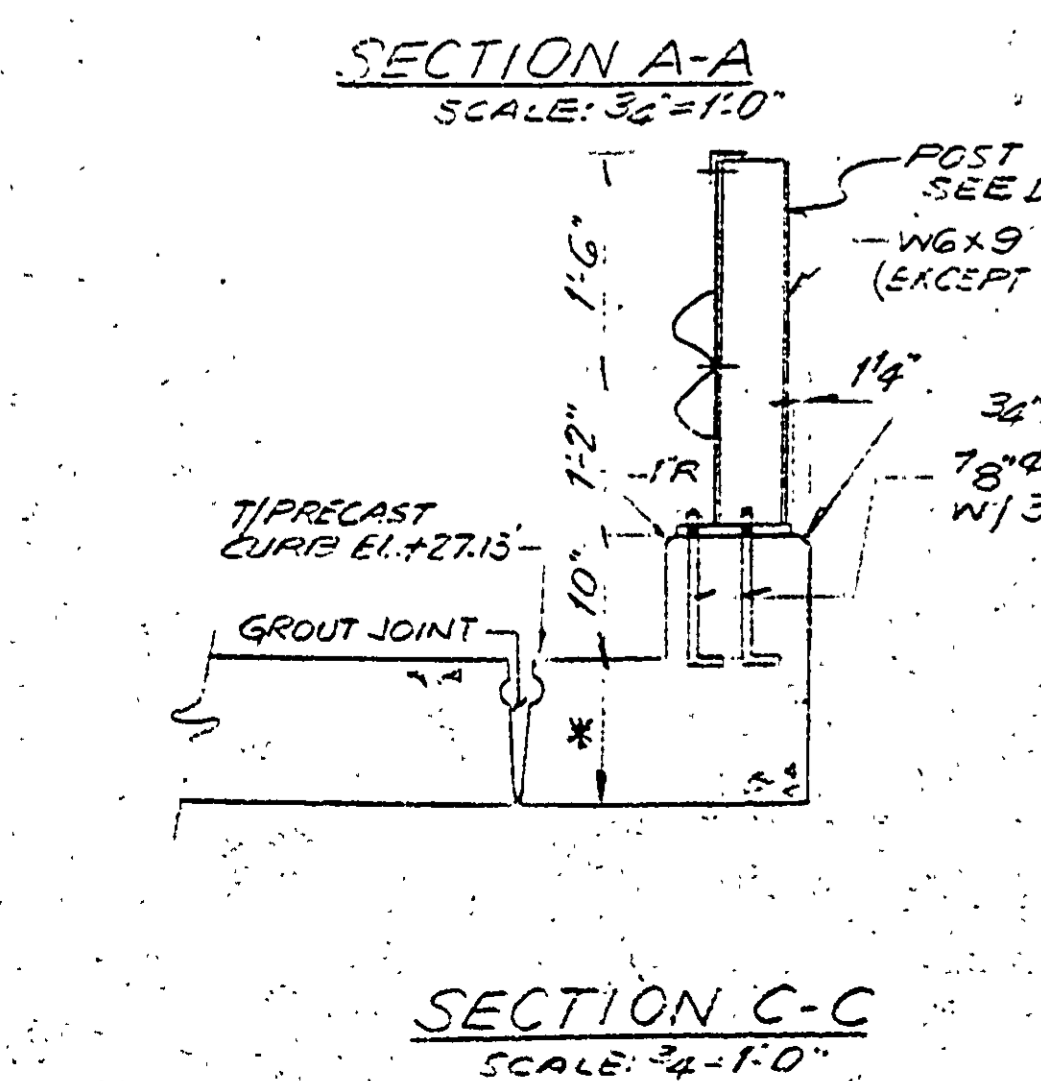
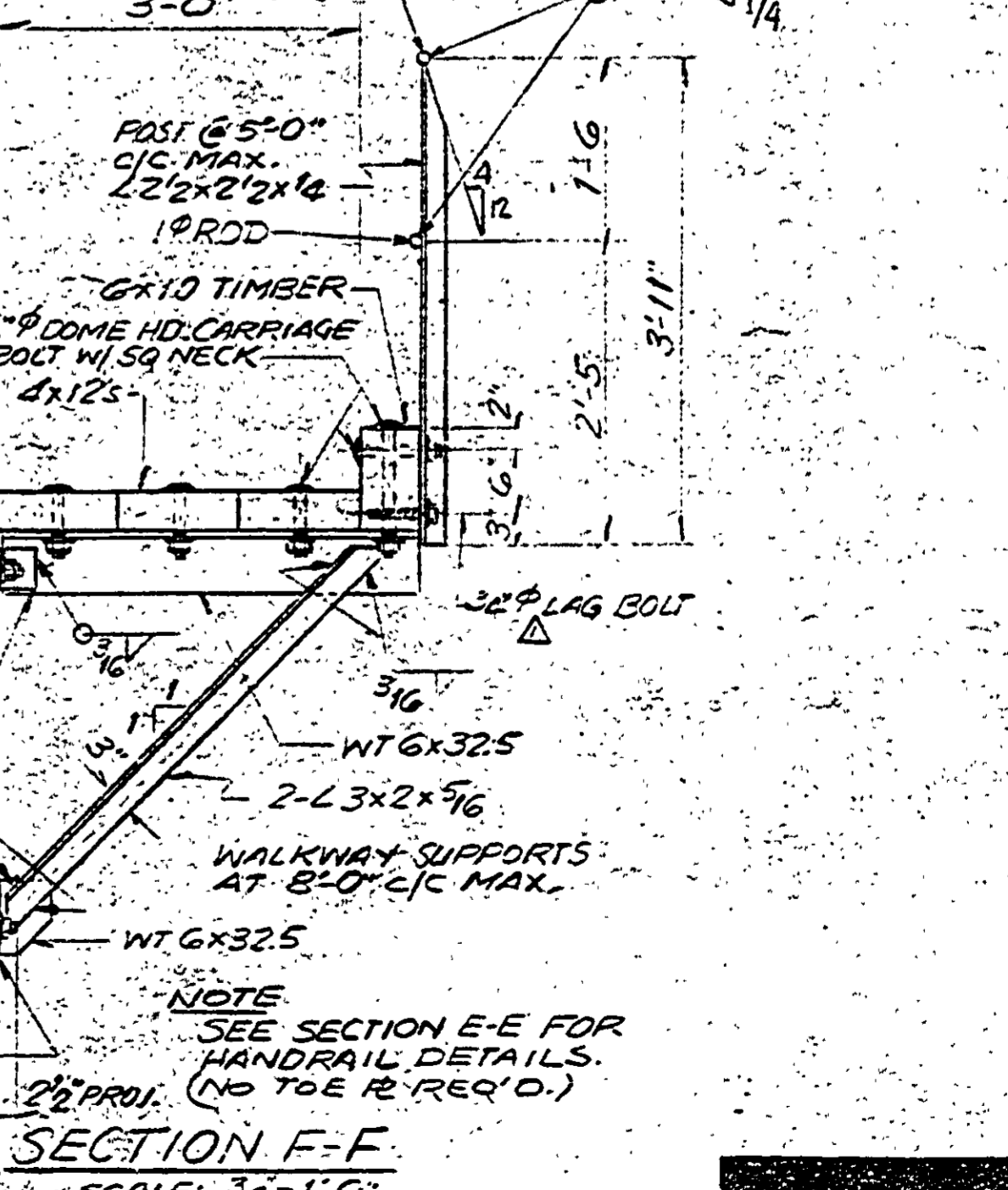
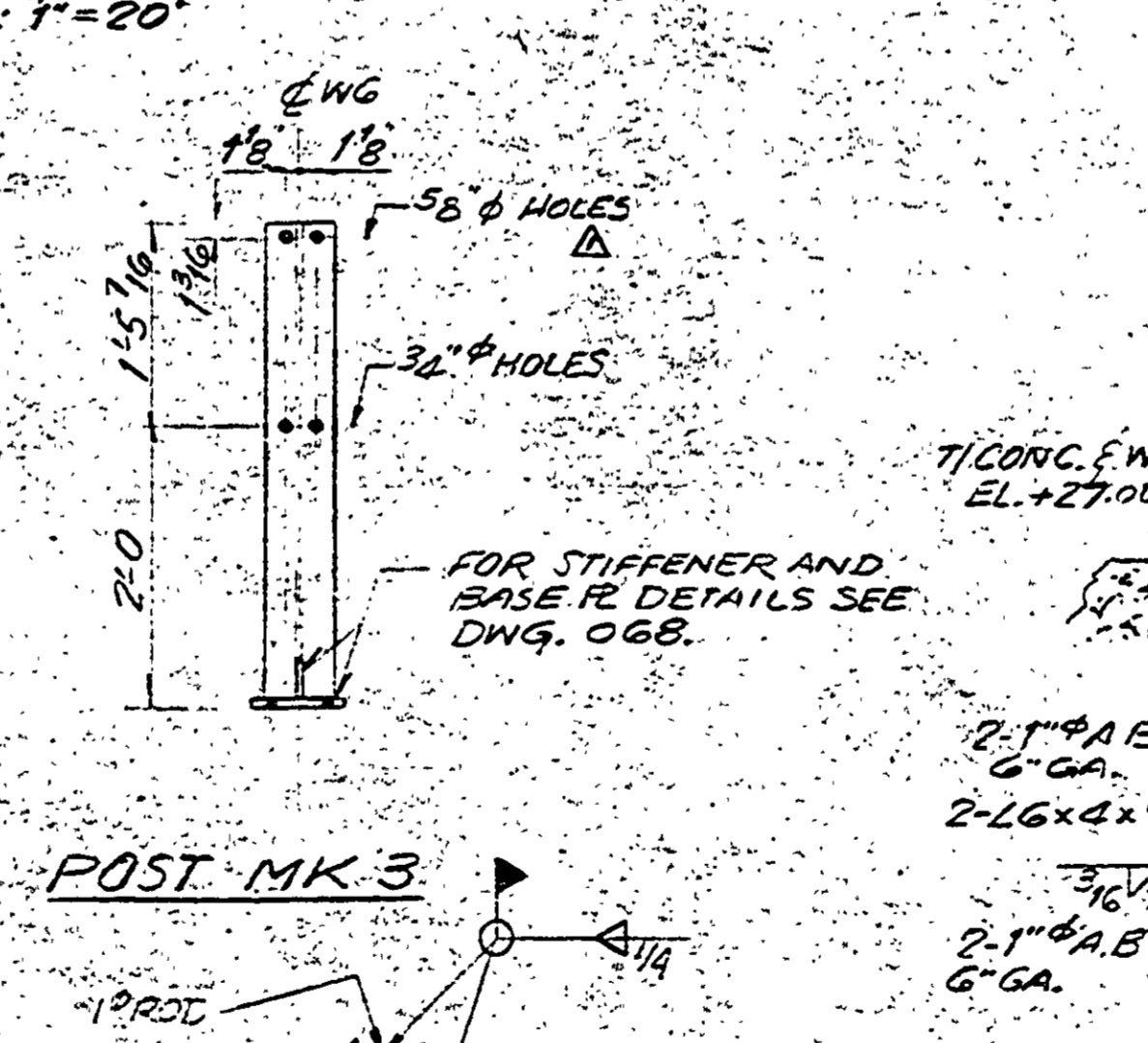
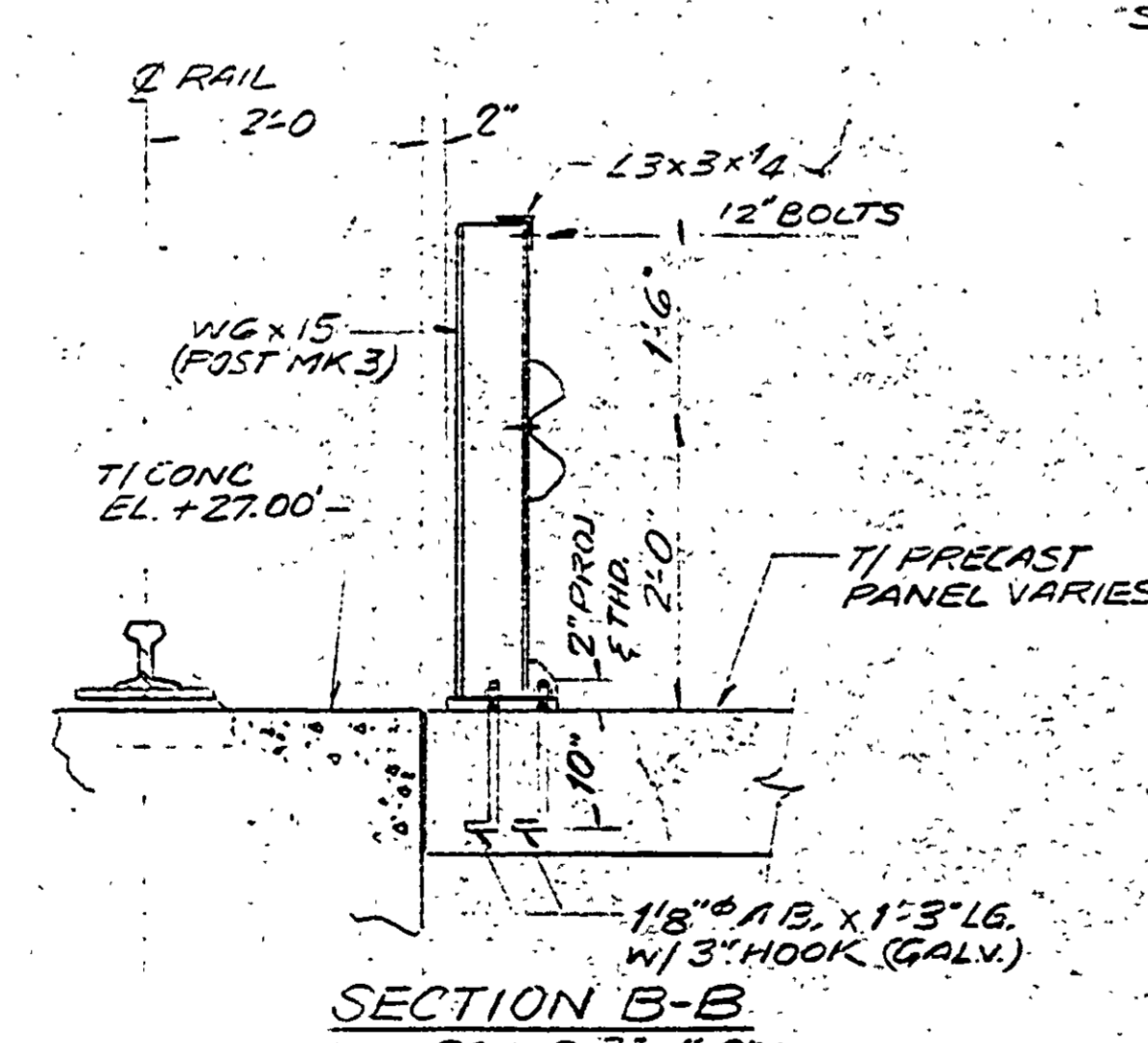
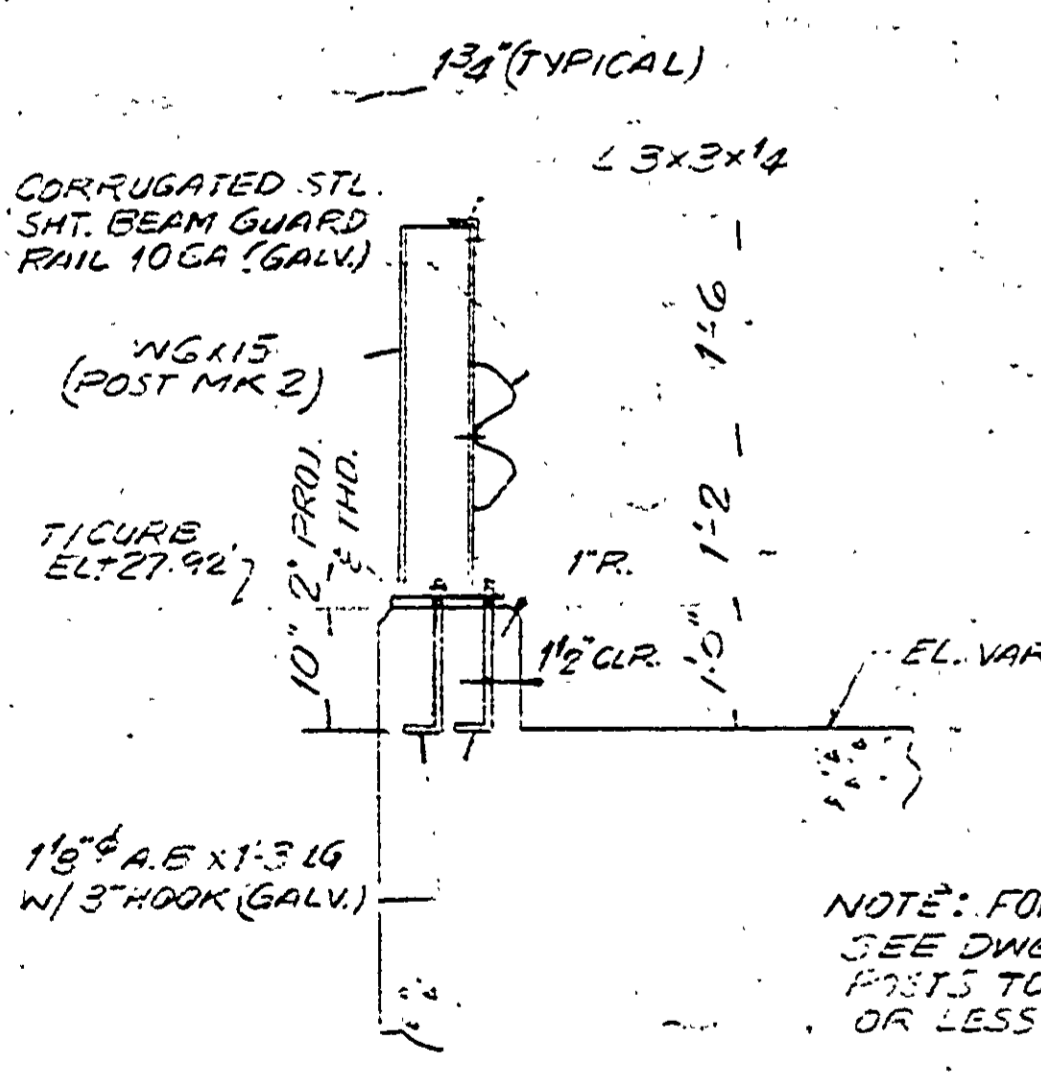
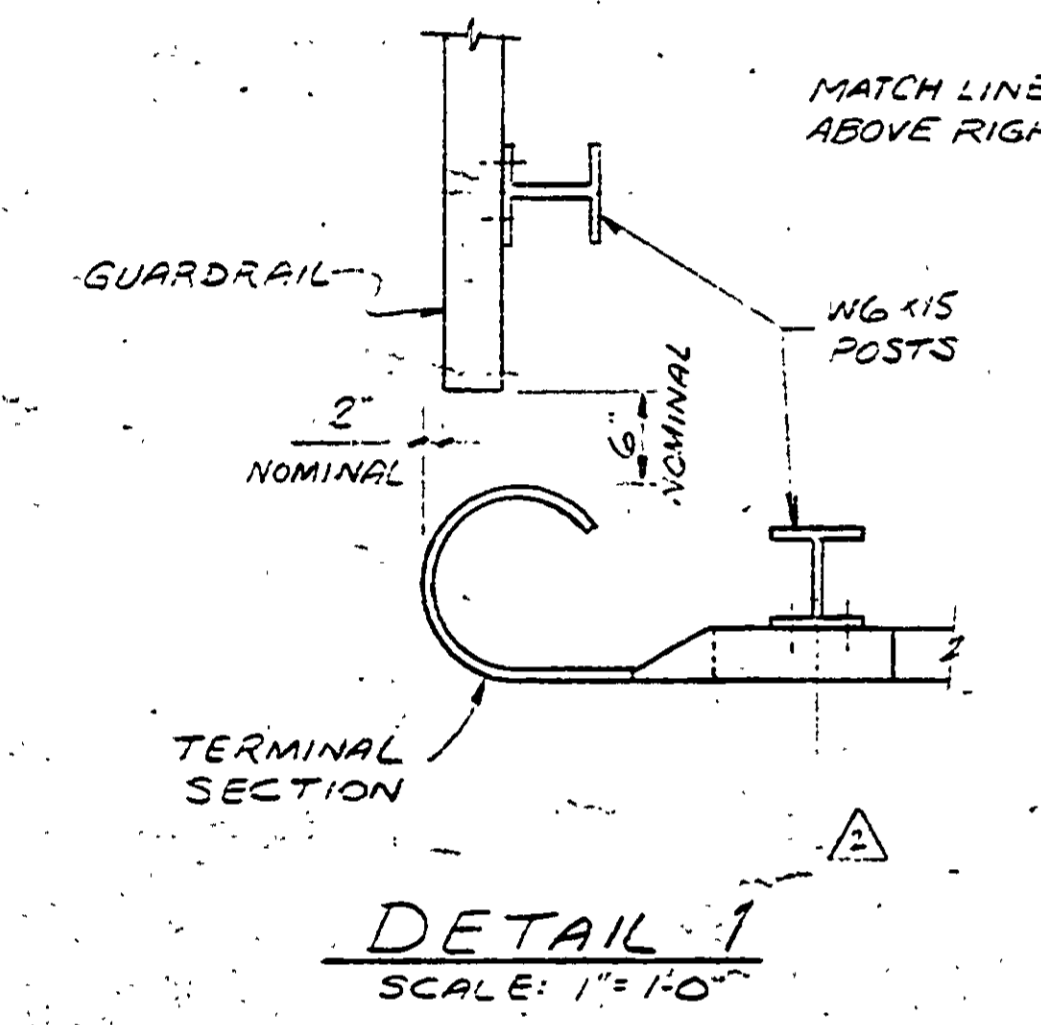
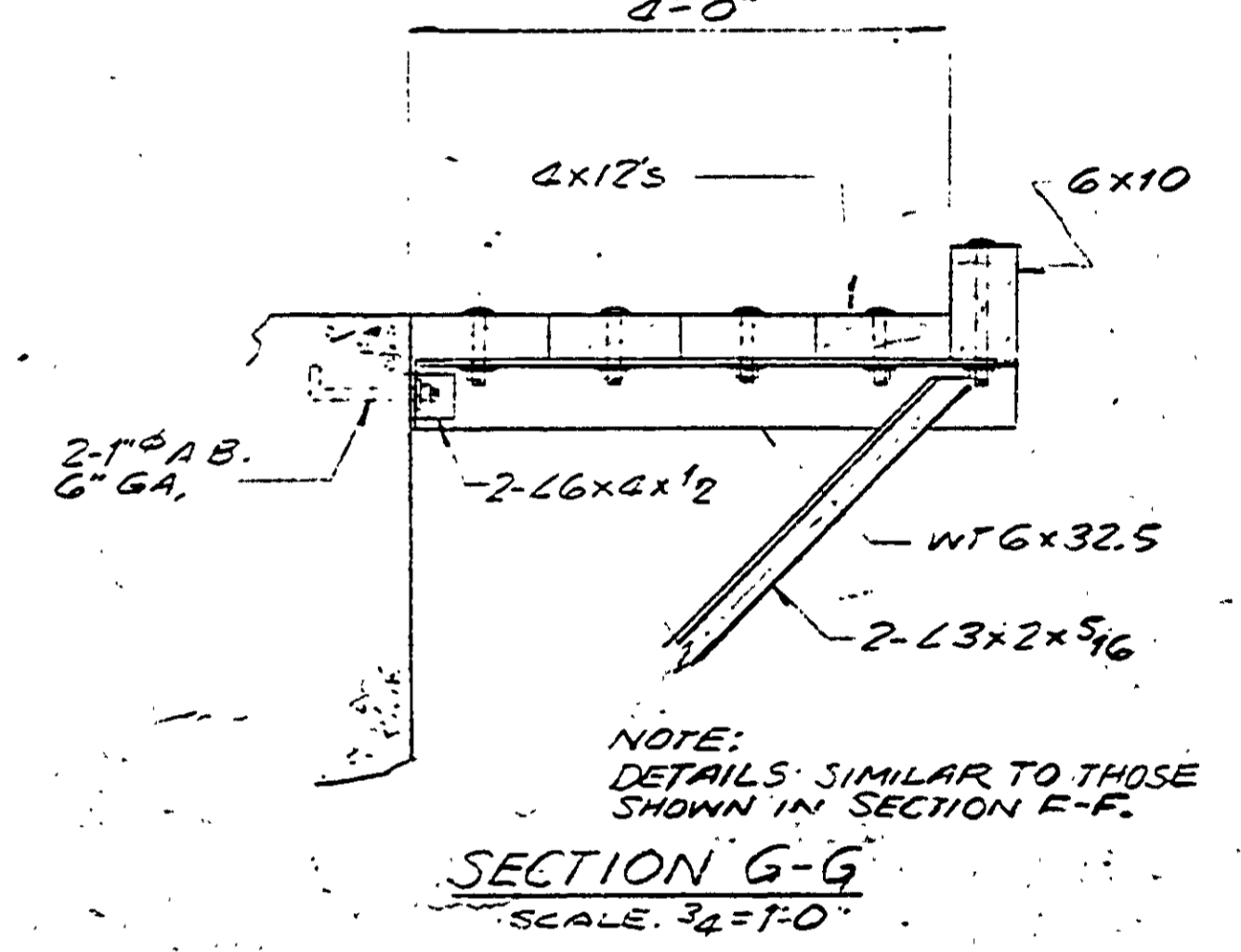
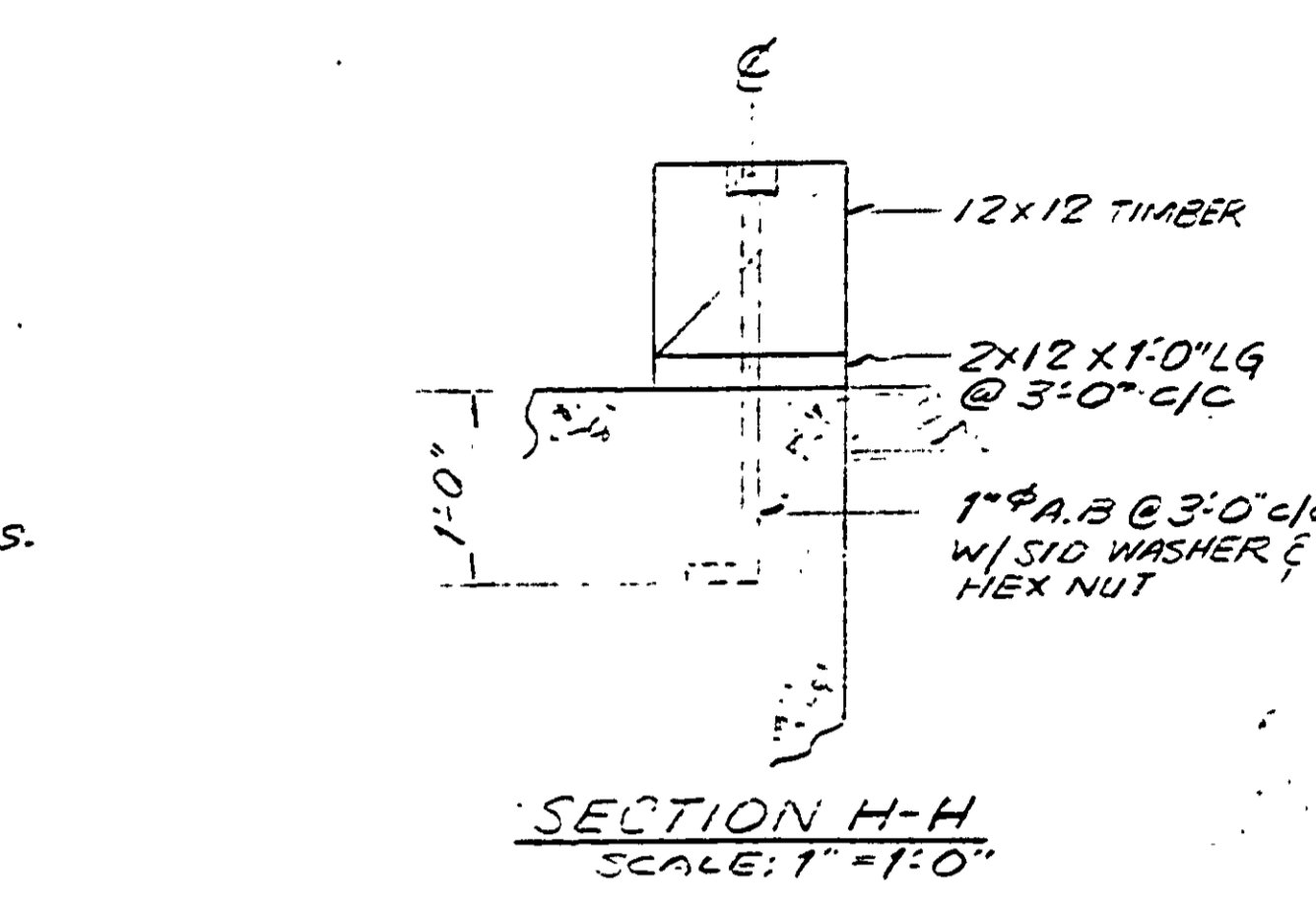
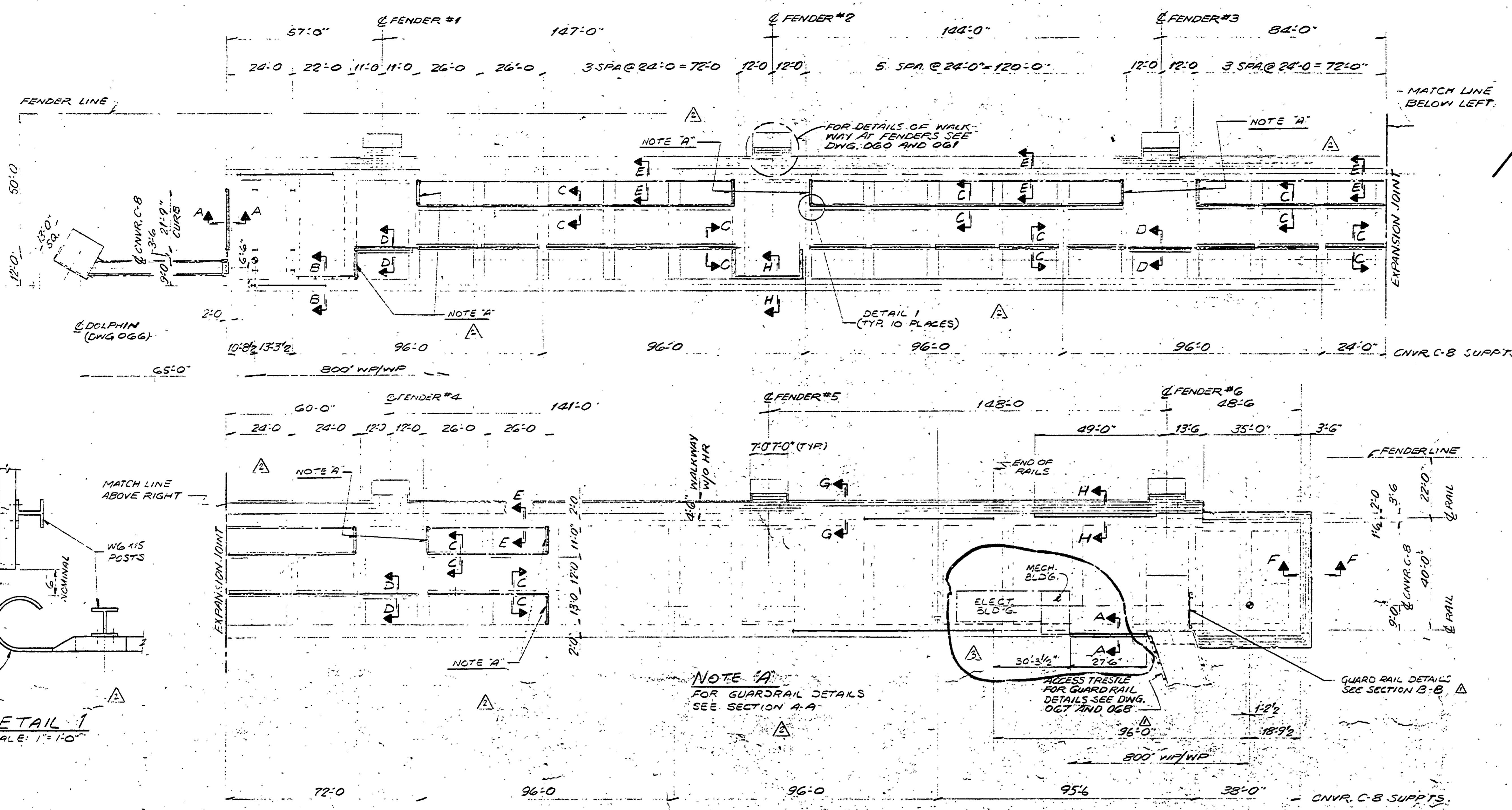
NO.	CONTRACT	SHOP BILL NO.
	PACIFIC COAL CORPORATION	
	COAL EXPORT TERMINAL	
	ACCESS TRESTLE SHEET 2 OF 3	

SCALE AS NOTED	APP'D	DATE
OR 800DY 2-15-82		3-18-82
CHK WPG 3-15-82		

EP-8603
DRAWING NO. 5124-7-068
REV. 6

DRAVO CORPORATION, PITTSBURGH, PA., ON DE&C.

REV.	DATE	DESCRIPTION	AUTHOR	DATE
1	3/18/82	RELEASED FOR CONSTRUCTION		
2	4/16/82	REVISED HANDRAIL DETAIL		
3	4/16/82	REVISED SECTS. A-A, C-C, D-D		
4	4/16/82	ADDED DET. #1 & NOTE "A"		
5	9/25/82	REV. GUARDRAIL LENGTH		



* DIMENSIONS TO BE DETERMINED BY PRECAST CURB & PANEL MFG.

RECEIVED & APPROVED

NO. J5124
CONTRACT NO. 3410182
SHOP BILL NO. PCJLMRS

PACIFIC COAL CORPORATION
COAL EXPORT TERMINAL
PORTLAND, OREGON
GUARDRAIL, H.R. & W'WAY DETAILS

SCALE AS NOTED
APP'D: [Signature]
DR. BOODY 3/18/82
CHK. WPG 3/18/82
DATE 3/18/82

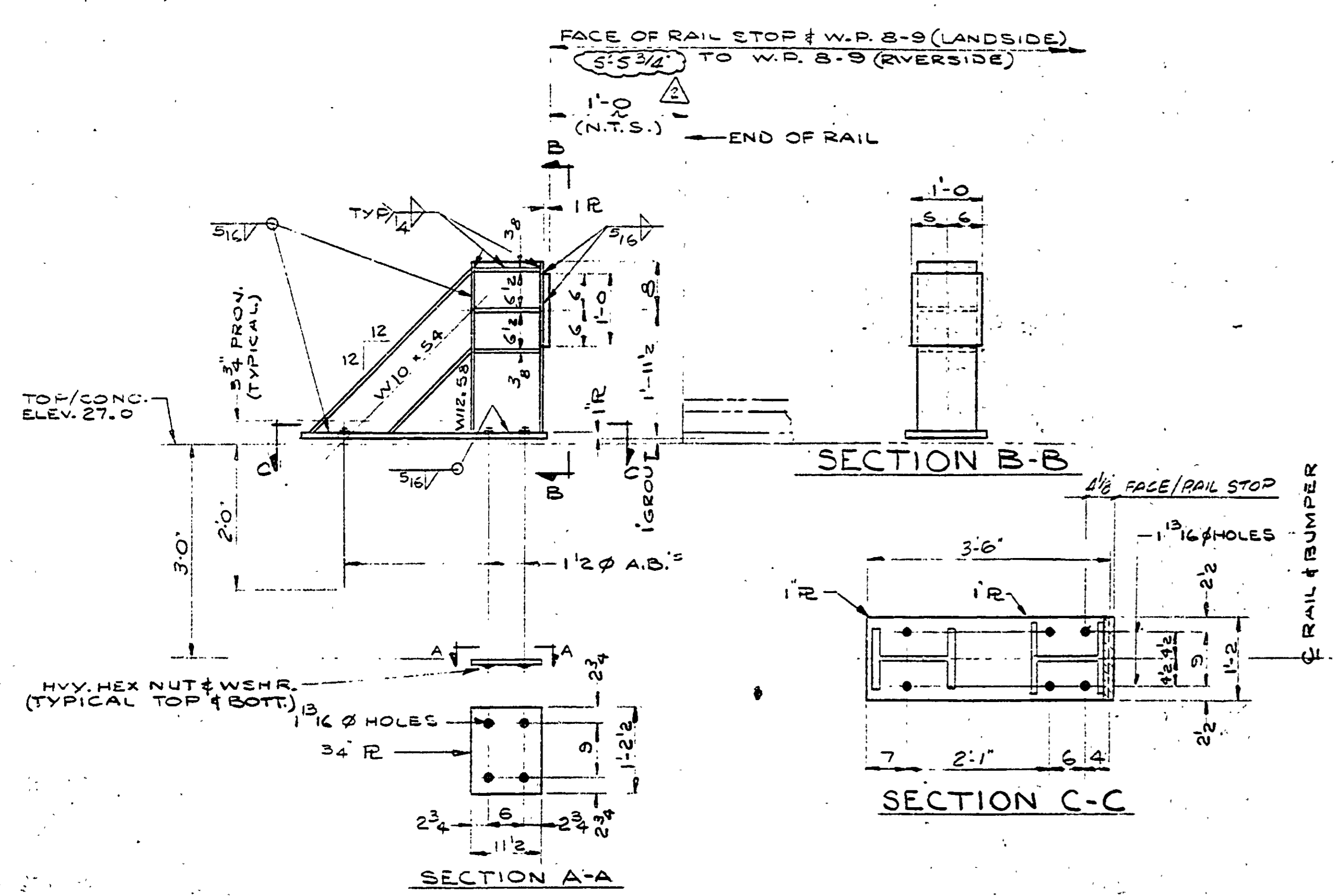
CONTR. NO. REFERENCE DWGS. SHEET

0 1 2 3 4 5 6 7 8 9

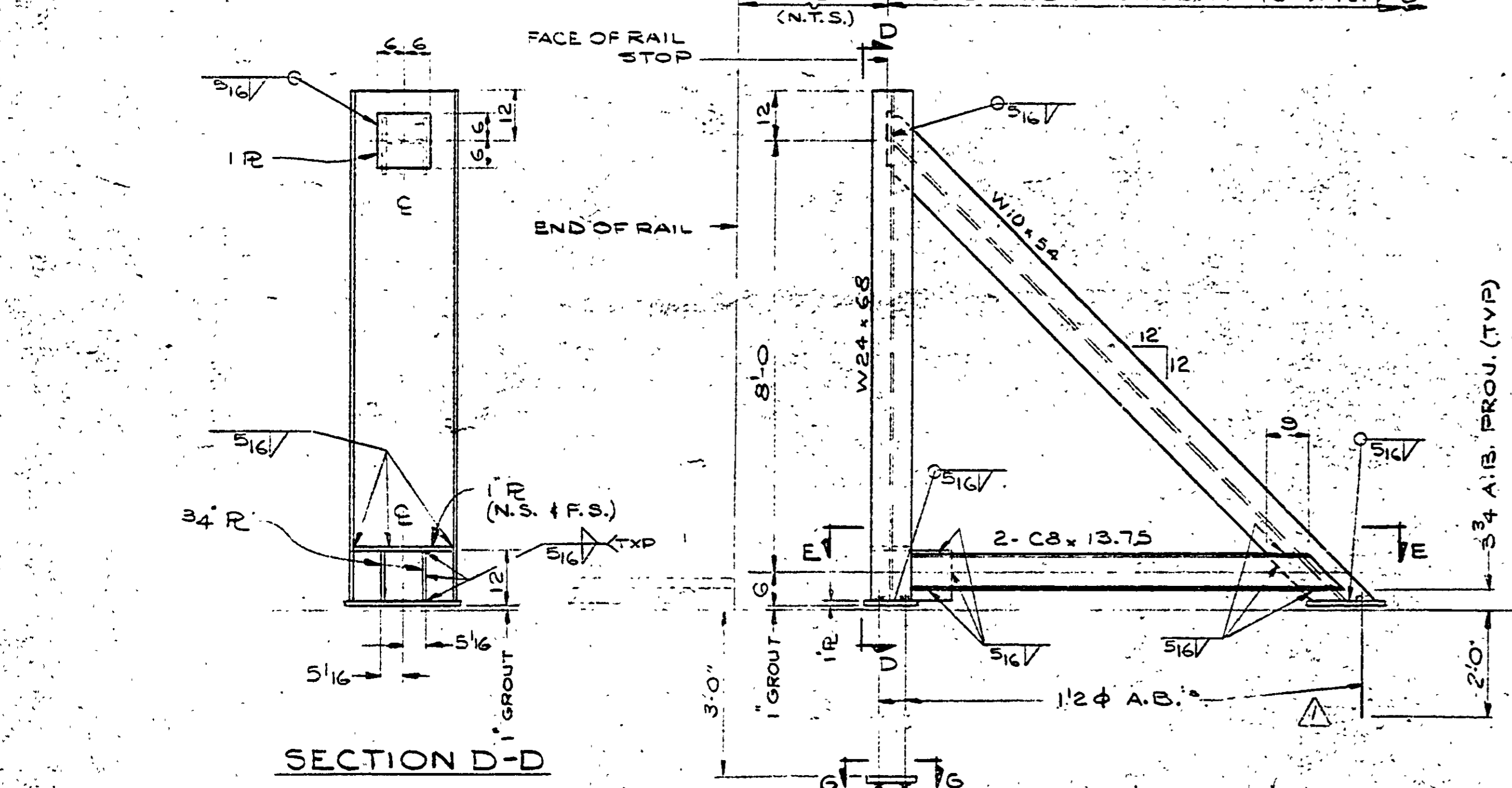
This drawing, including the information it contains, is the property of Dravo Corporation. It is submitted only in connection with the transaction to which it pertains and must not be used in any manner detrimental to the interests of Dravo Corporation. The drawing is not to be copied and must be returned upon request.

EP-8603
DRAWING NO. 5124-7-069
DRAVO CORPORATION, PITTSBURGH, PA. DIV. DEFC.

REV.	DATE	DESCRIPTION	BY	CHK
1	3-31-82	RELEASED FOR CONSTRUCTION		
2	4-14-82	REMOVED 1/2 BOLTS, REVISED LIFTING HOLE & L SIZE, & R B HOLE SIZE		
3	9-21-82	ADDED U/S RAIL STOP DIM		



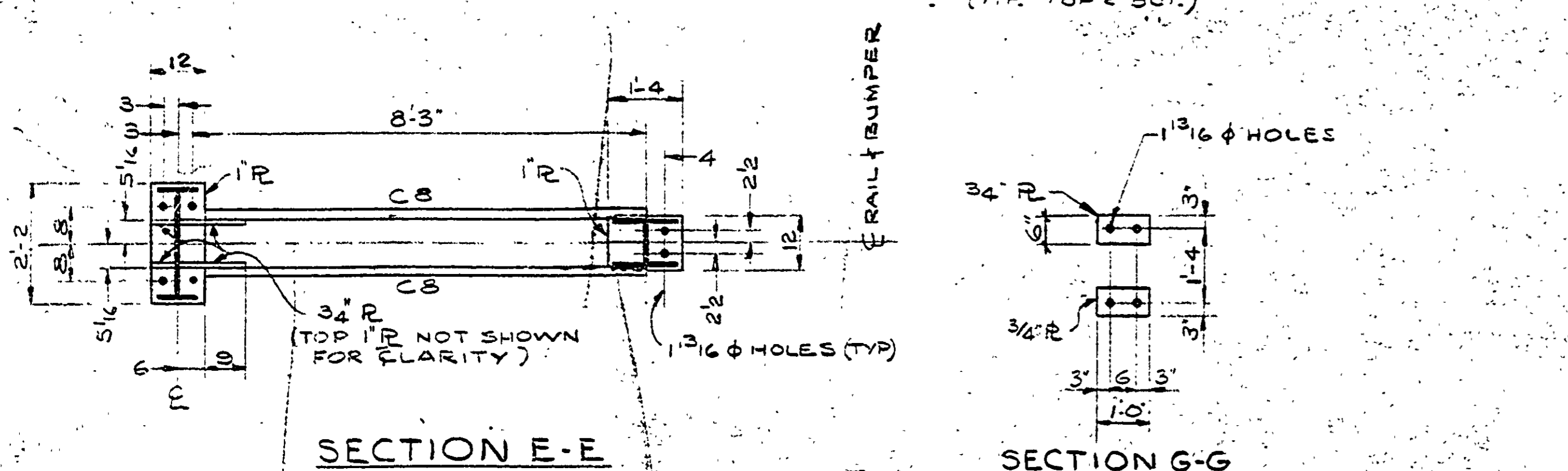
UPSTREAM RAIL STOP
SCALE: 3/4"=1'-0"



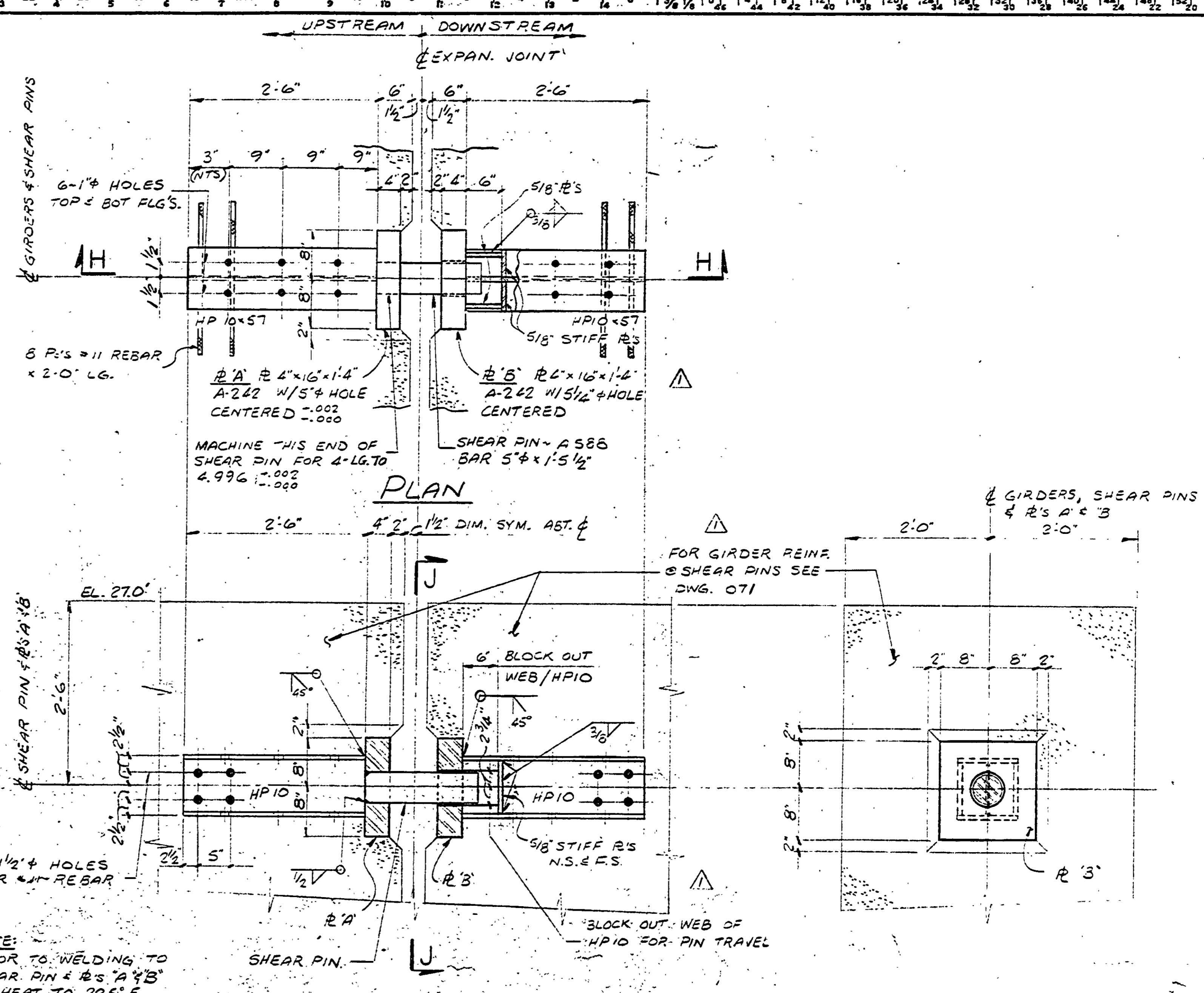
SECTION D-D

SECTION E-E

DOWNSTREAM RAIL STOP
SCALE: 1/2"=1'-0"



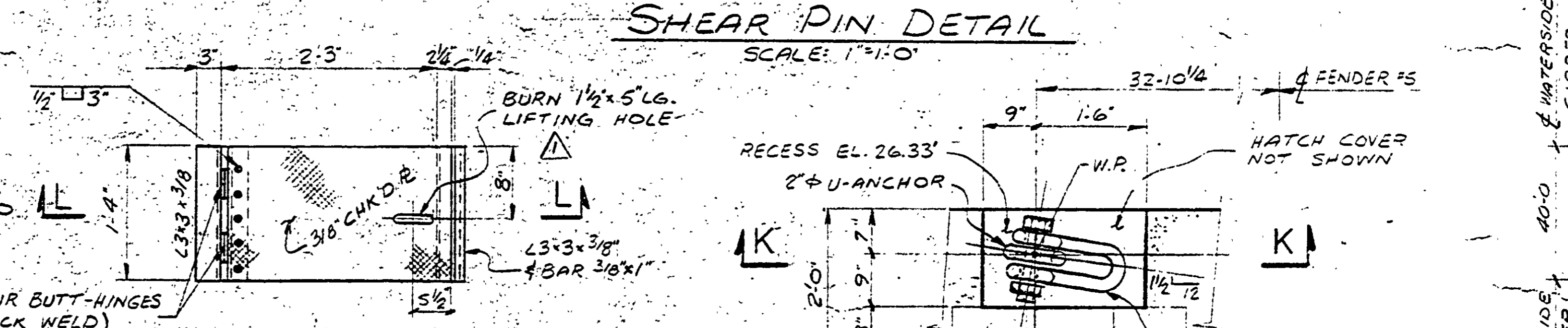
SECTION G-G



PLAN

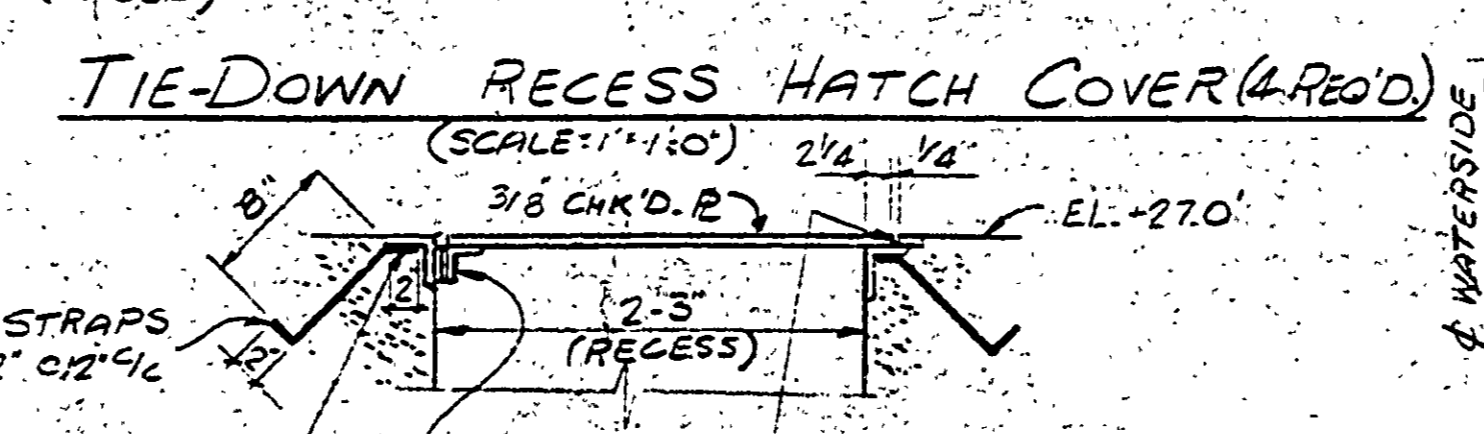
SECTION H-H

NOTE:
PRIOR TO WELDING TO SHEAR PIN & B'S 'A' & 'B' PREHEAT TO 225°F



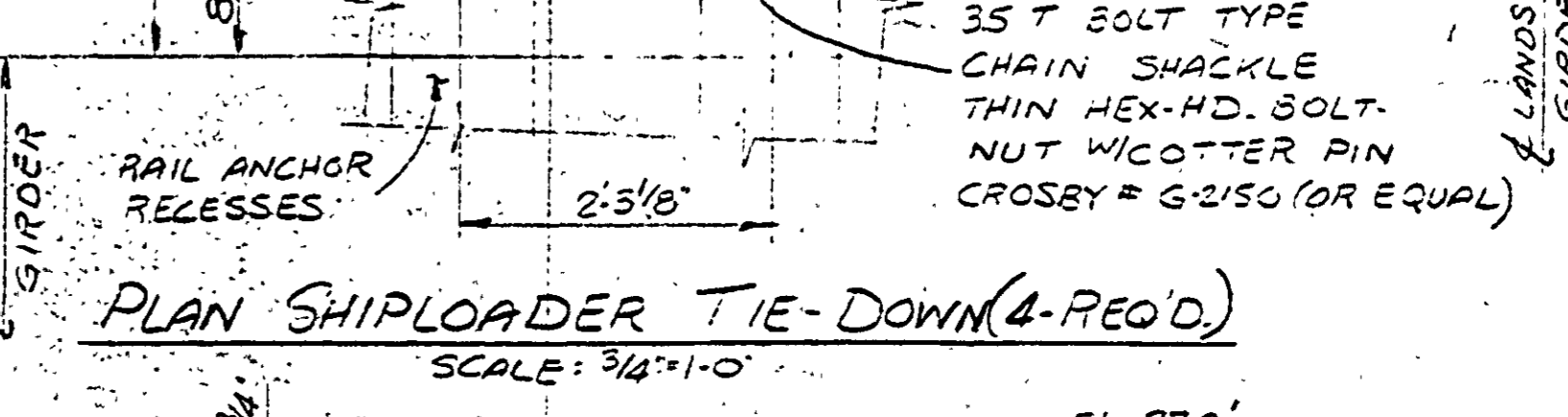
SHEAR PIN DETAIL
SCALE: 1"=1'-0"

SECTION J-J



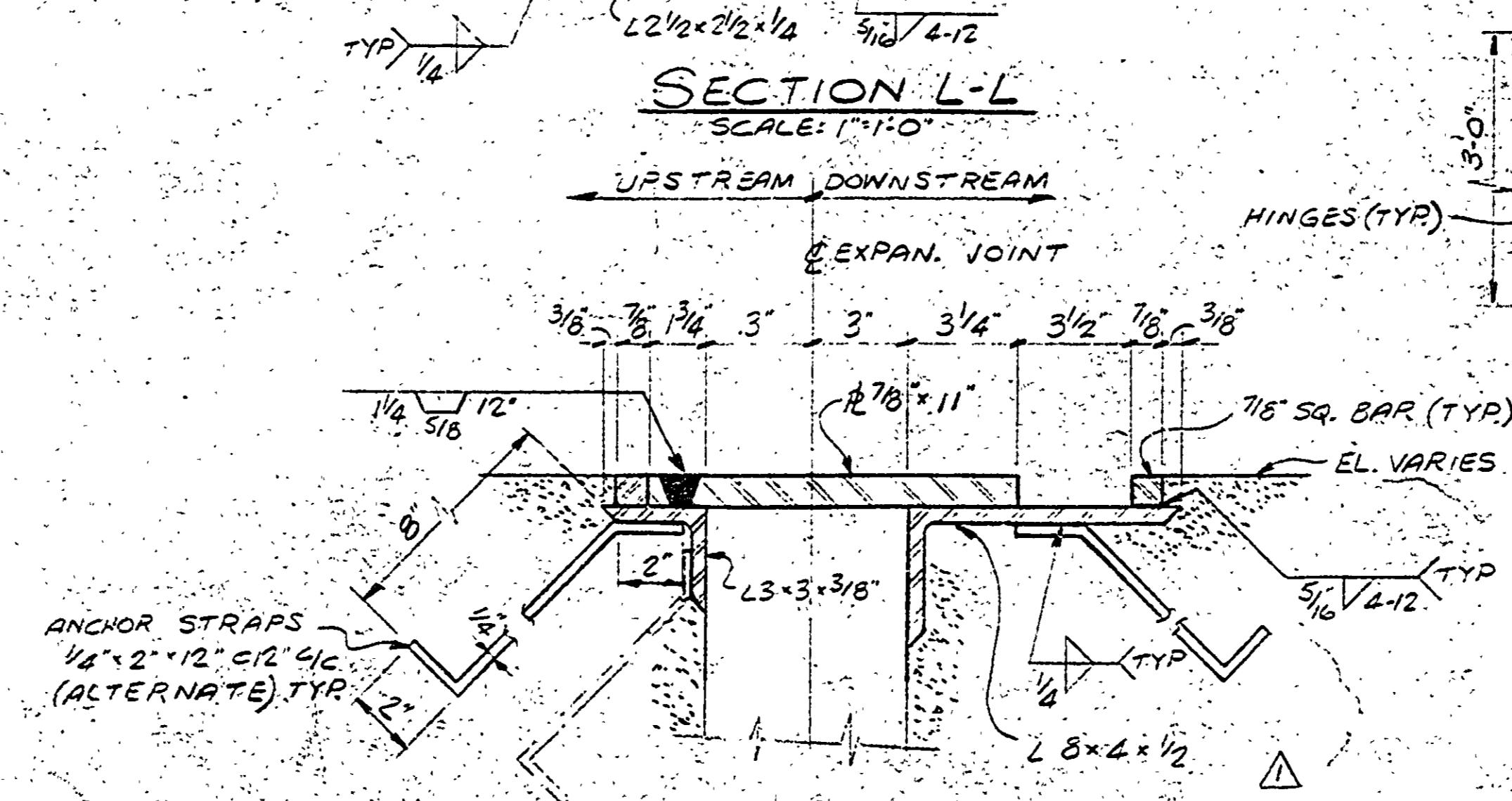
TIE-DOWN RECESS HATCH COVER (4-REQD)
SCALE: 1"=1'-0"

SECTION L-L
SCALE: 1"=1'-0"

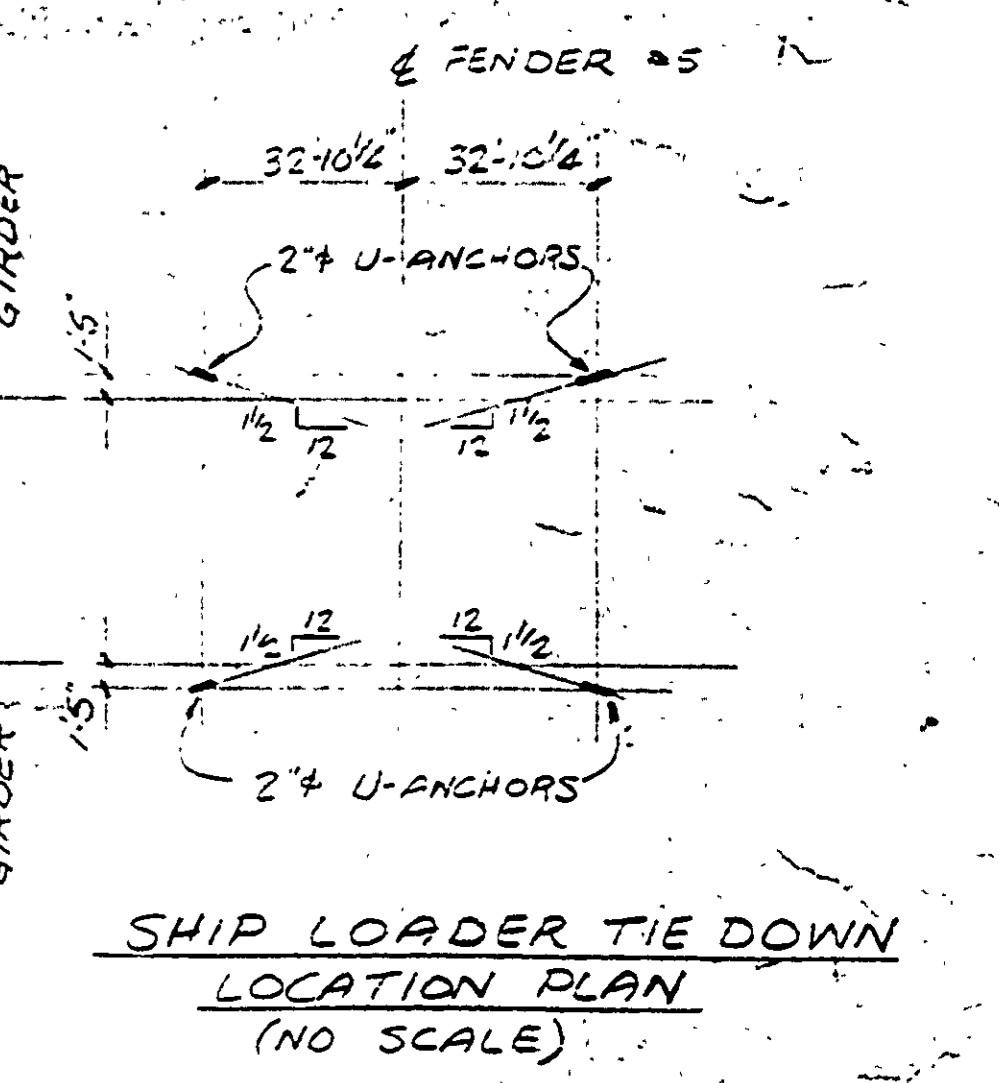


PLAN SHIPLOADER TIE-DOWN (4-REQD)
SCALE: 3/4"=1'-0"

SECTION K-K
SCALE: 3/4"=1'-0"



ROADWAY EXPANSION JOINT
SCALE: 3"=1'-0"



SHIP LOADER TIE-DOWN LOCATION PLAN
(NO SCALE)

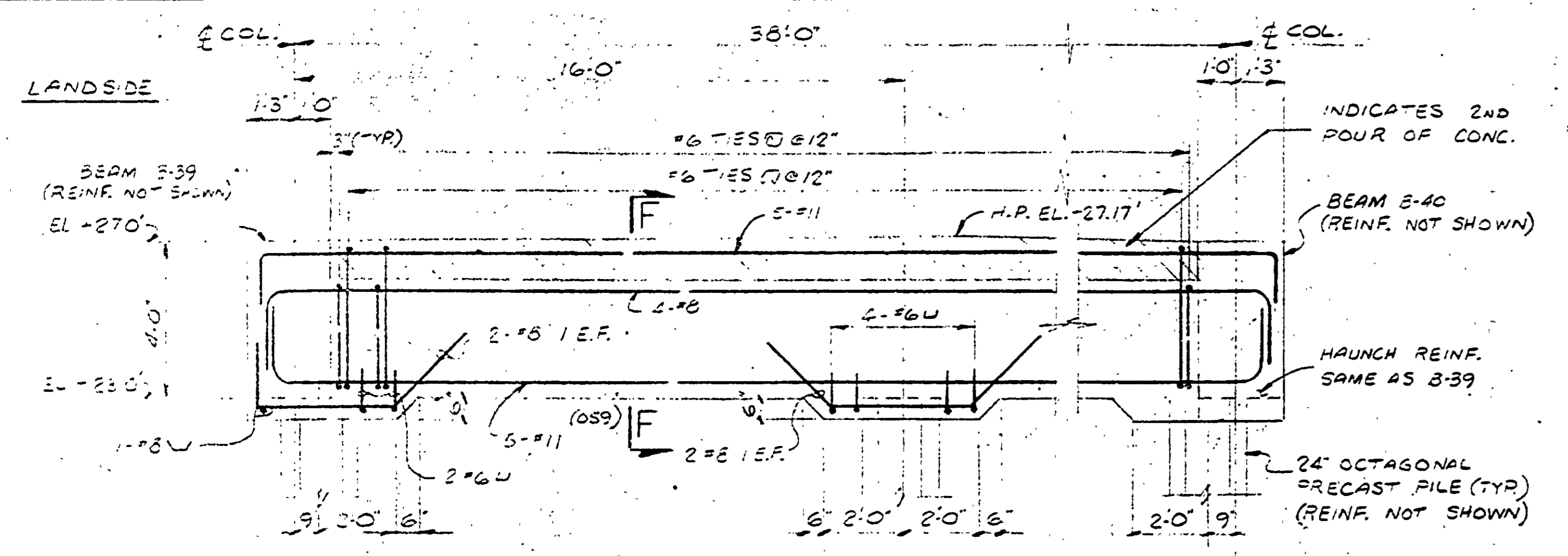
CONTR. NO.	REFERENCE DWGS.	SHEET
0	1	1
1	2	2
2	3	3
3	4	4
4	5	5
5	6	6
6	7	7
7	8	8
8	9	9
9	10	10

U 5124
NO. 01 CONTRACT NO. 80JLMRS
PACIFIC COAL CORPORATION
COAL EXPORT TERMINAL
PORTLAND, OREGON
MISCELLANEOUS DE TAILS
SCALE AS NOTED APP'D [Signature] MJD SWH
DR JJP/JSJ 3-29-82 DATE 7/31/82
CHK JTH

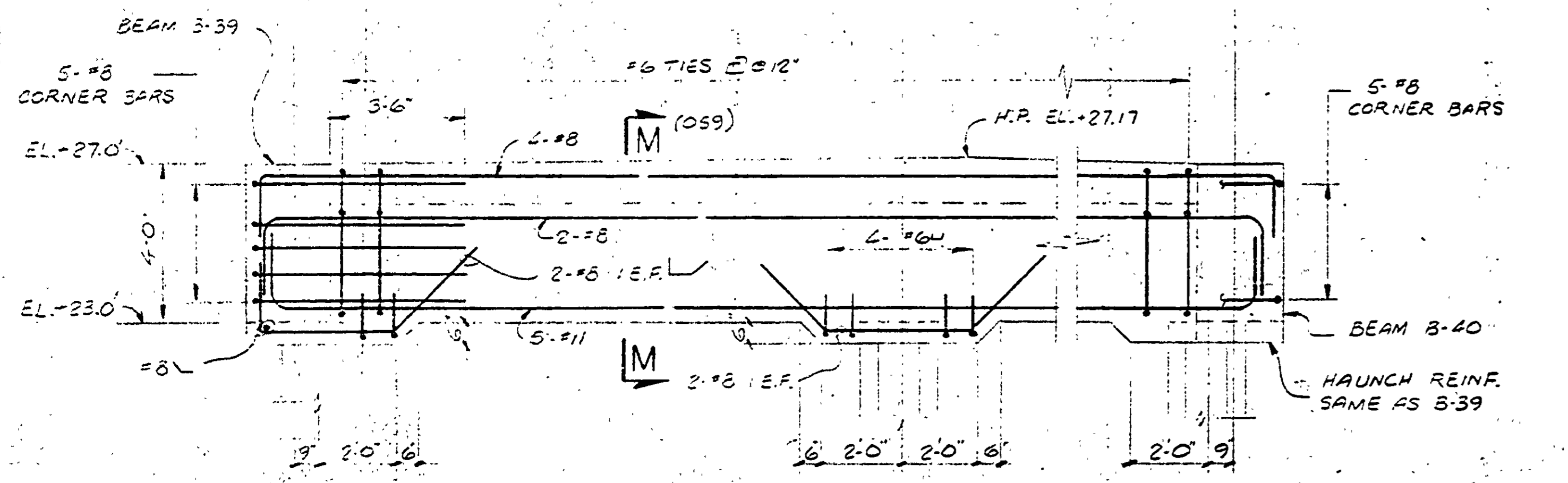
Diavo
DRAWING NO. 5124-7-070
REV. 2

DRACO CORPORATION, PITTSBURGH, PA. DIV DE/CL

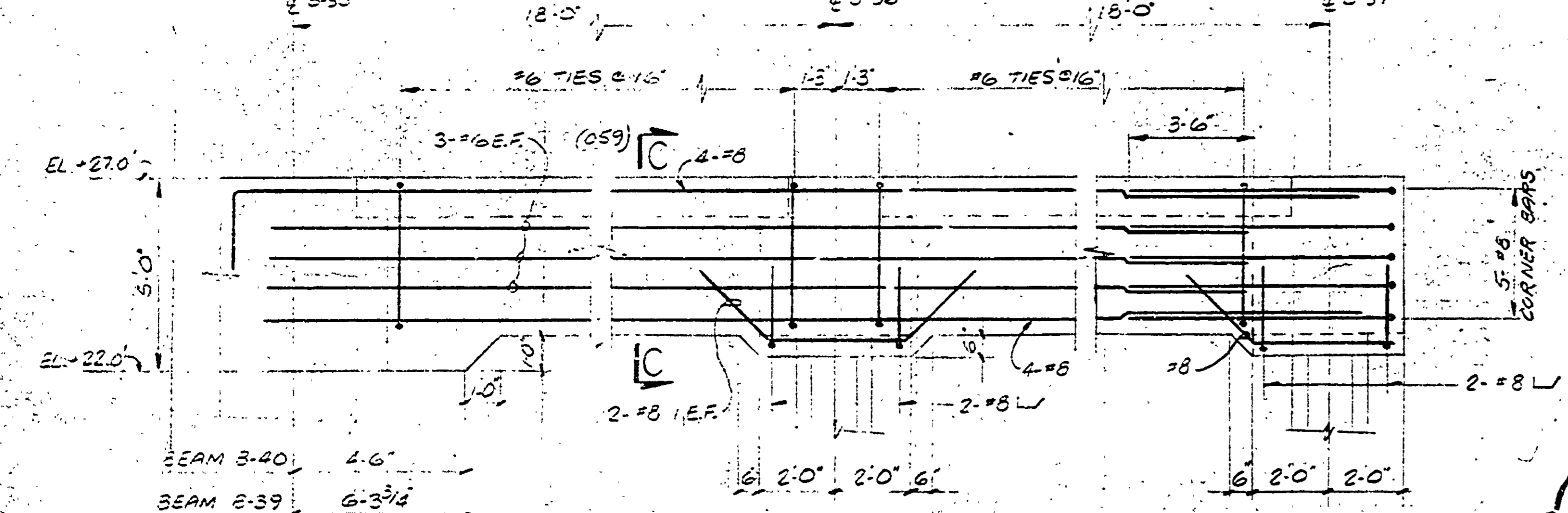
REV.	ITEM	PANEL	REVISIONS	DATE	REF.
1			RELEASED FOR CONSTRUCTION	3-31-82	
2			ADDED GIRDER AT ACCESS	4-2-82	
3			TRESTLE & TRESTLE SUPPORT		



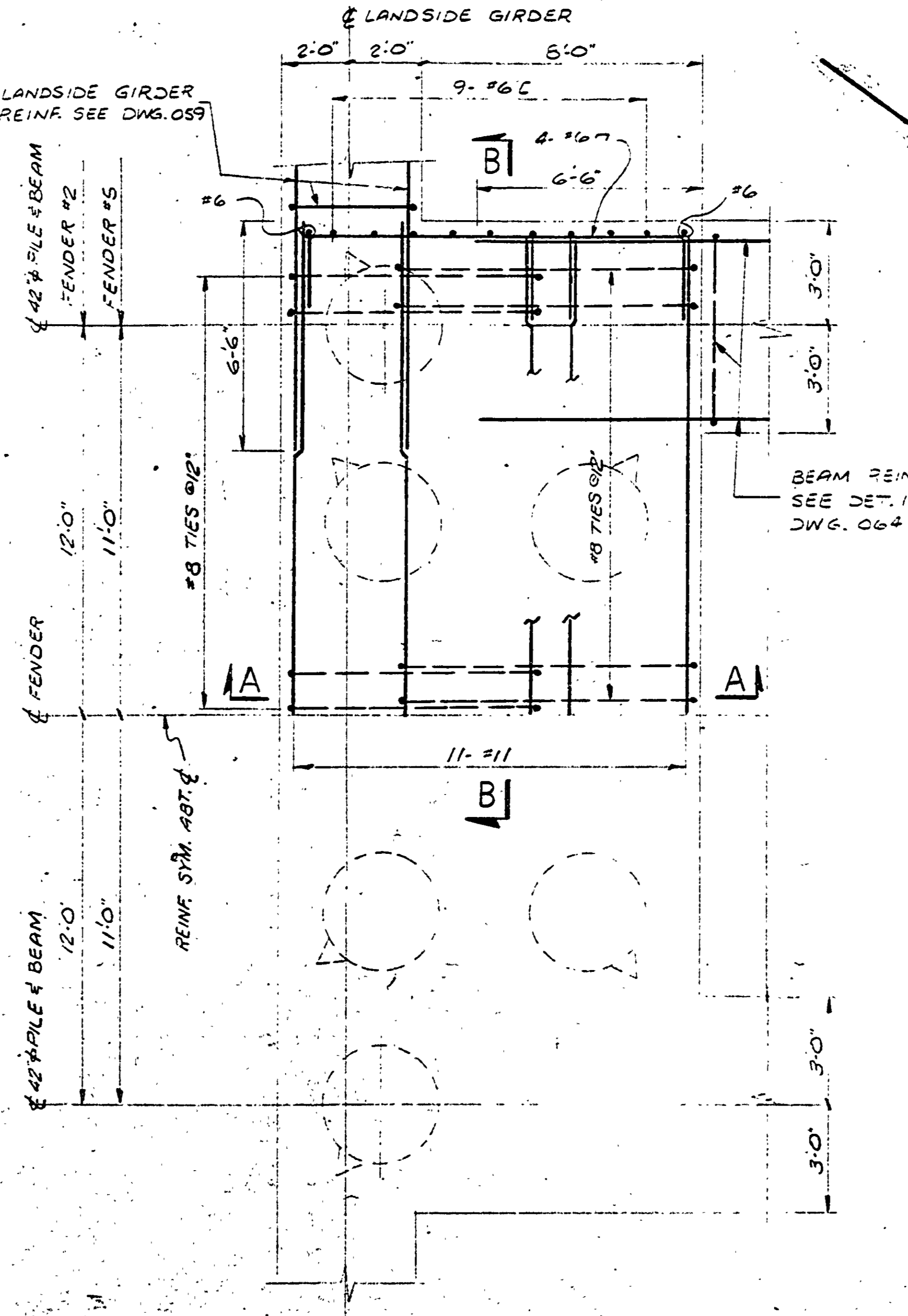
BEAM DETAIL 12
BEAM: B-36



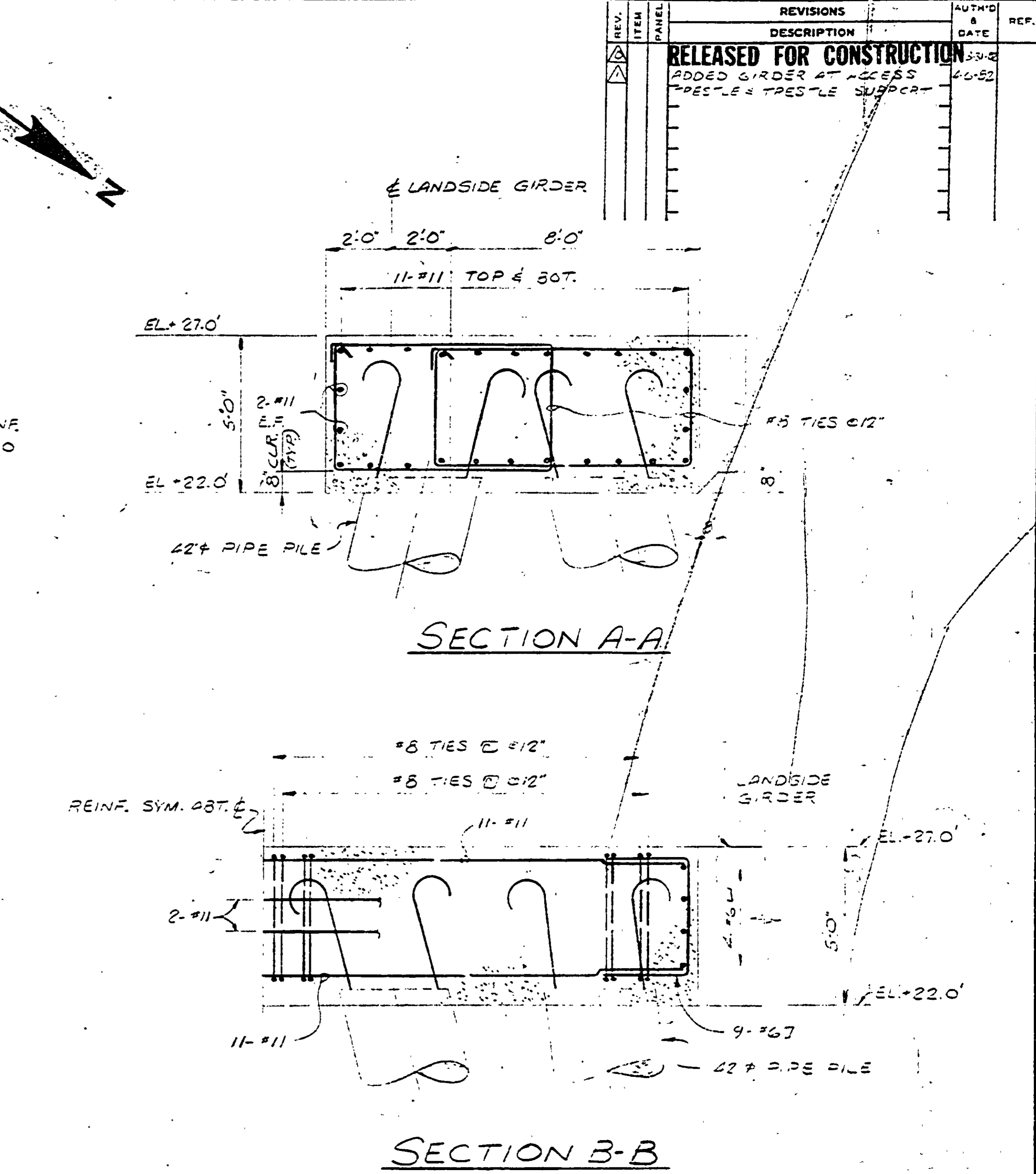
BEAM DETAIL 13
BEAM: B-37



BEAM DETAIL 14
BEAMS: B-34, B-35

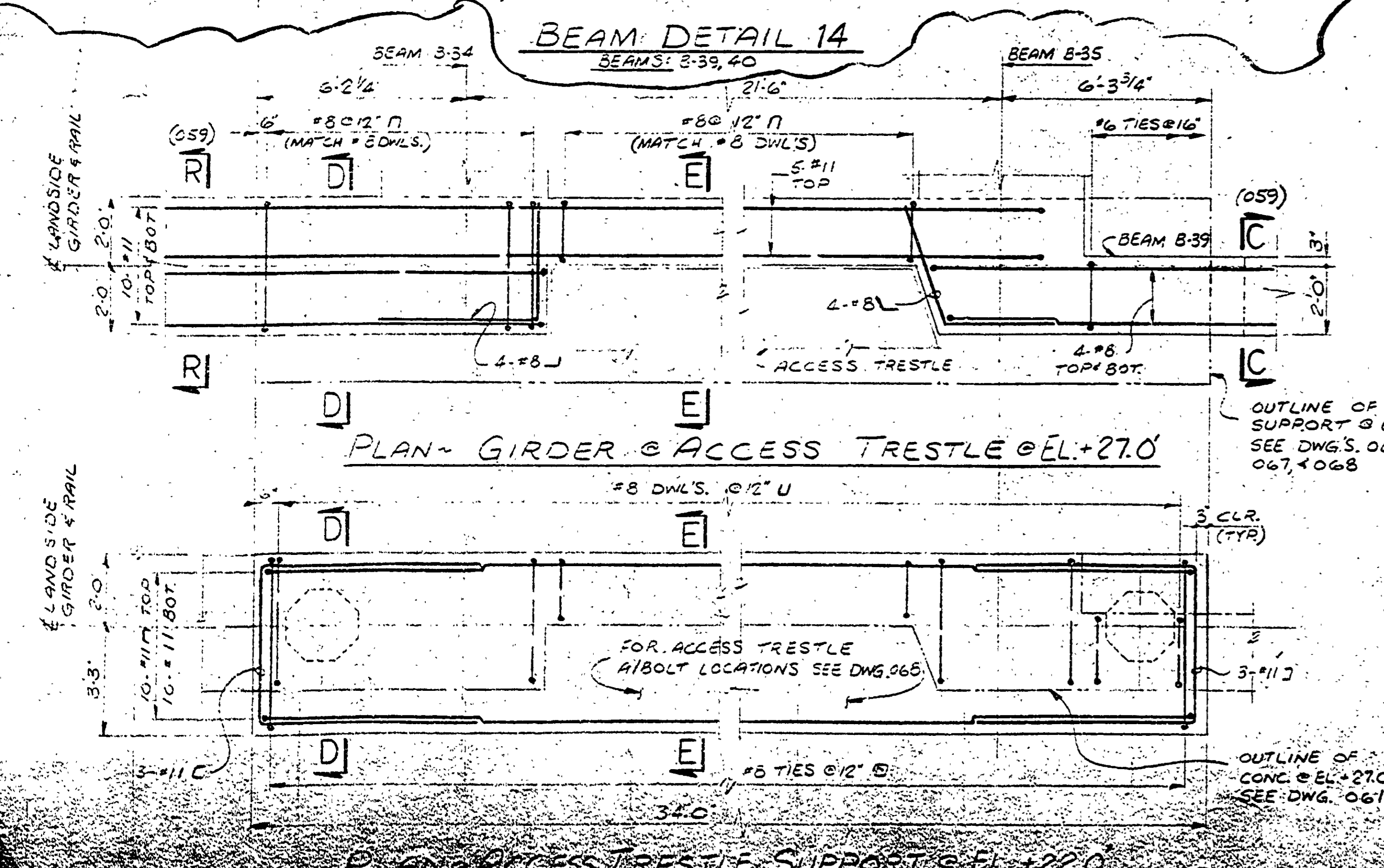


SECTIONAL PLAN @ EL+25.0'
SEISMIC BLOCKS @ FENDERS #2 & 5

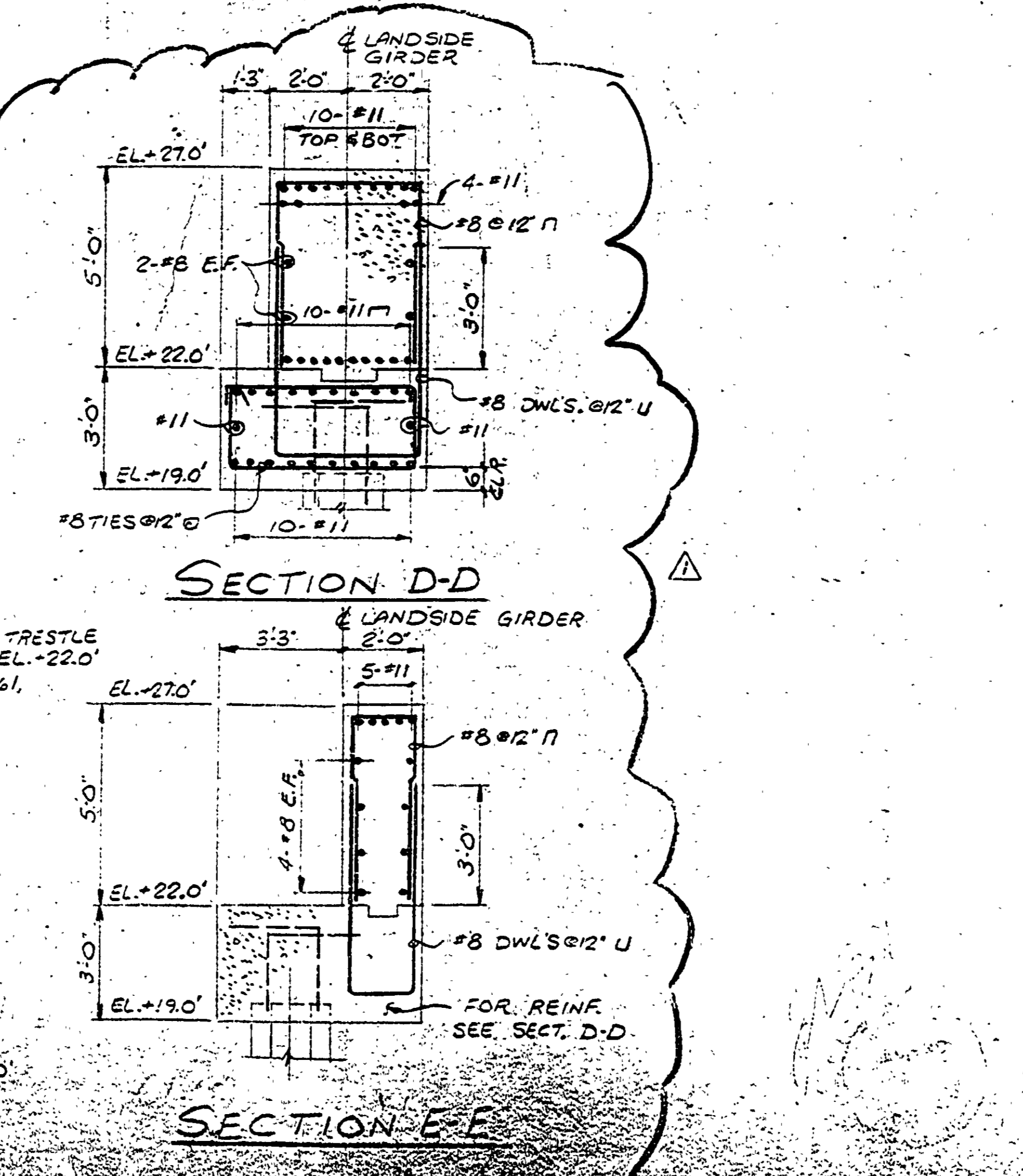


SECTION A-A

SECTION B-B



PLAN - GIRDER @ ACCESS TRESTLE @ EL+27.0'

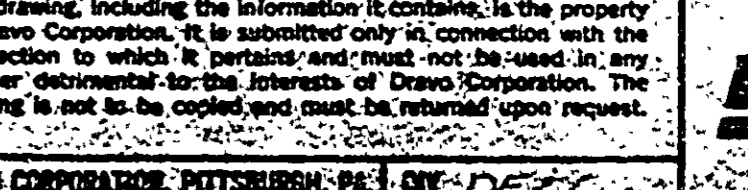


SECTION D-D

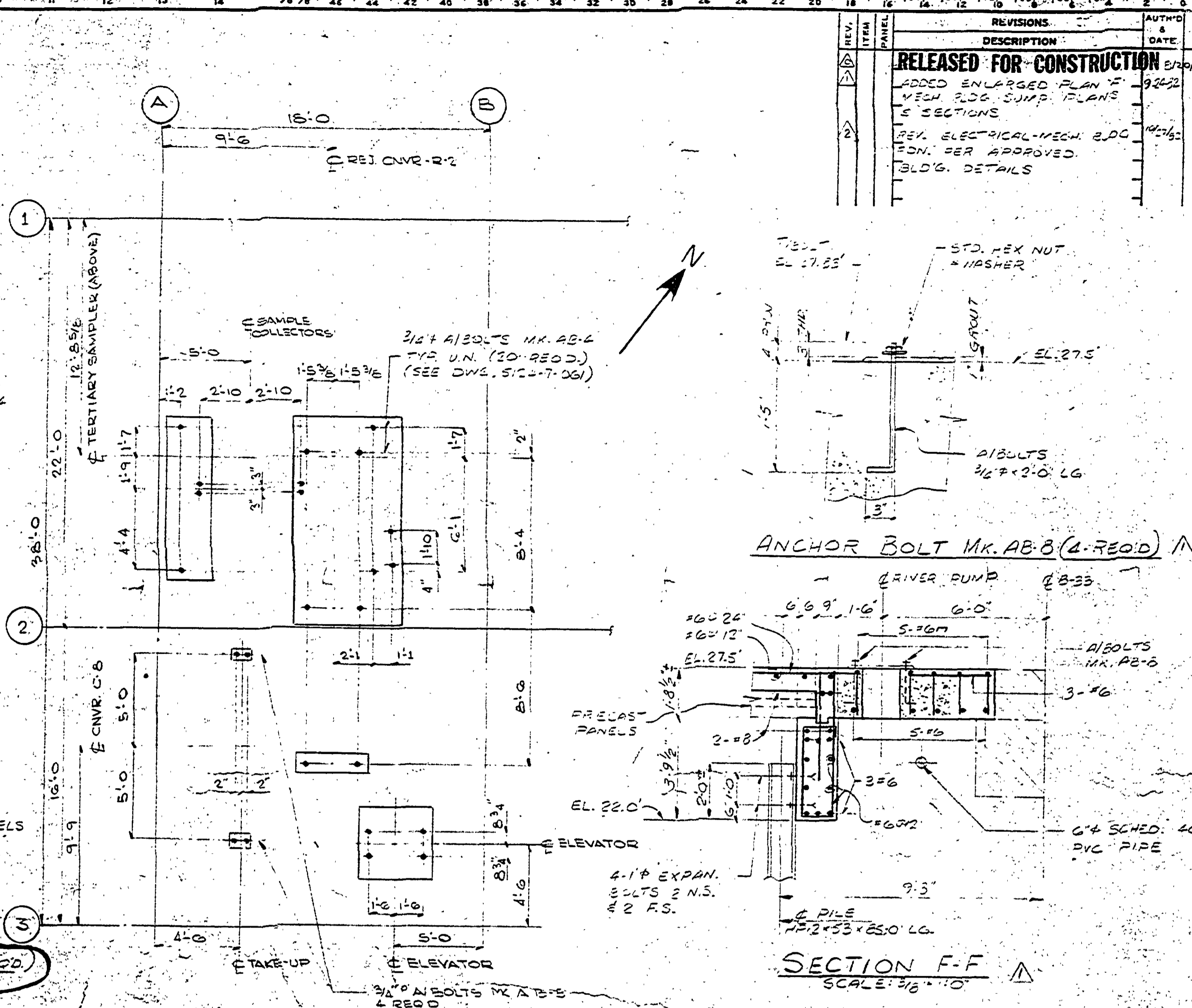
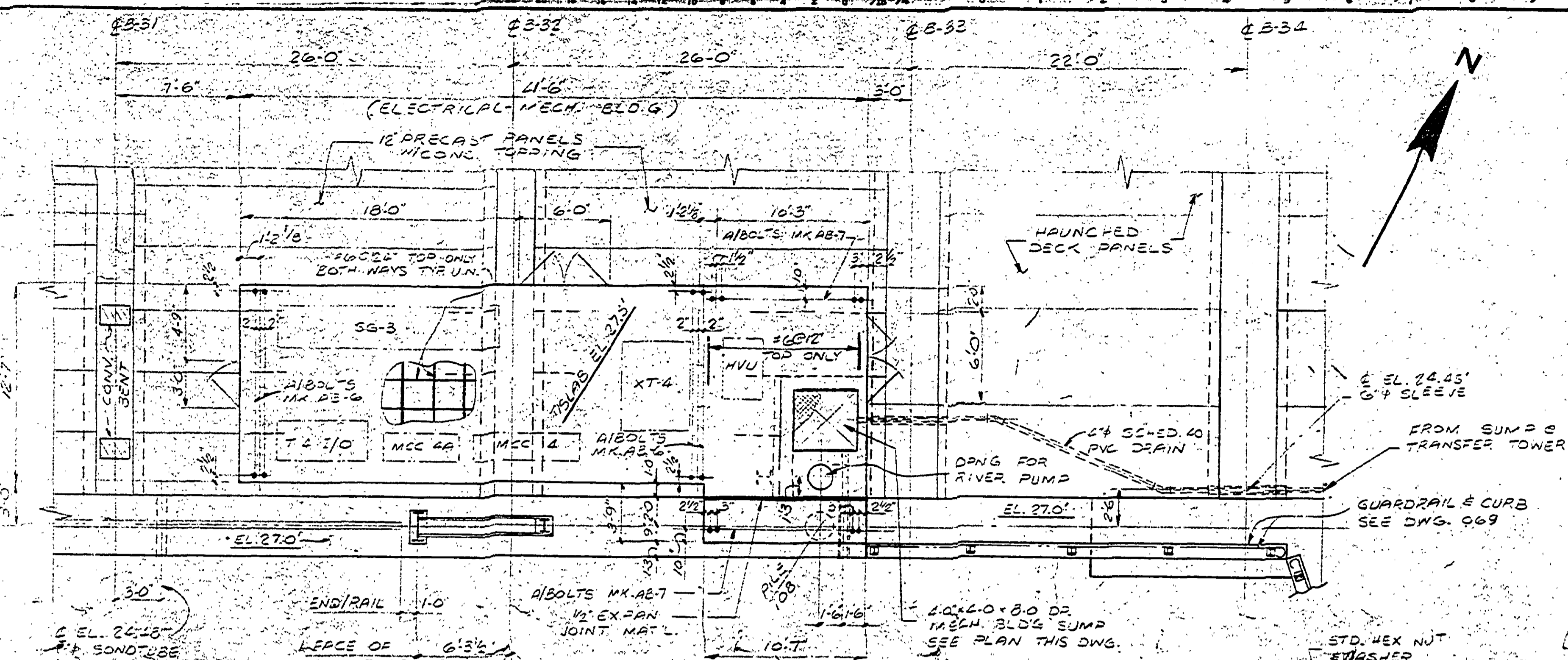
SECTION E-E

CONTR. NO.	REFERENCE DWGS.
0	
1	
2	
3	
4	
5	

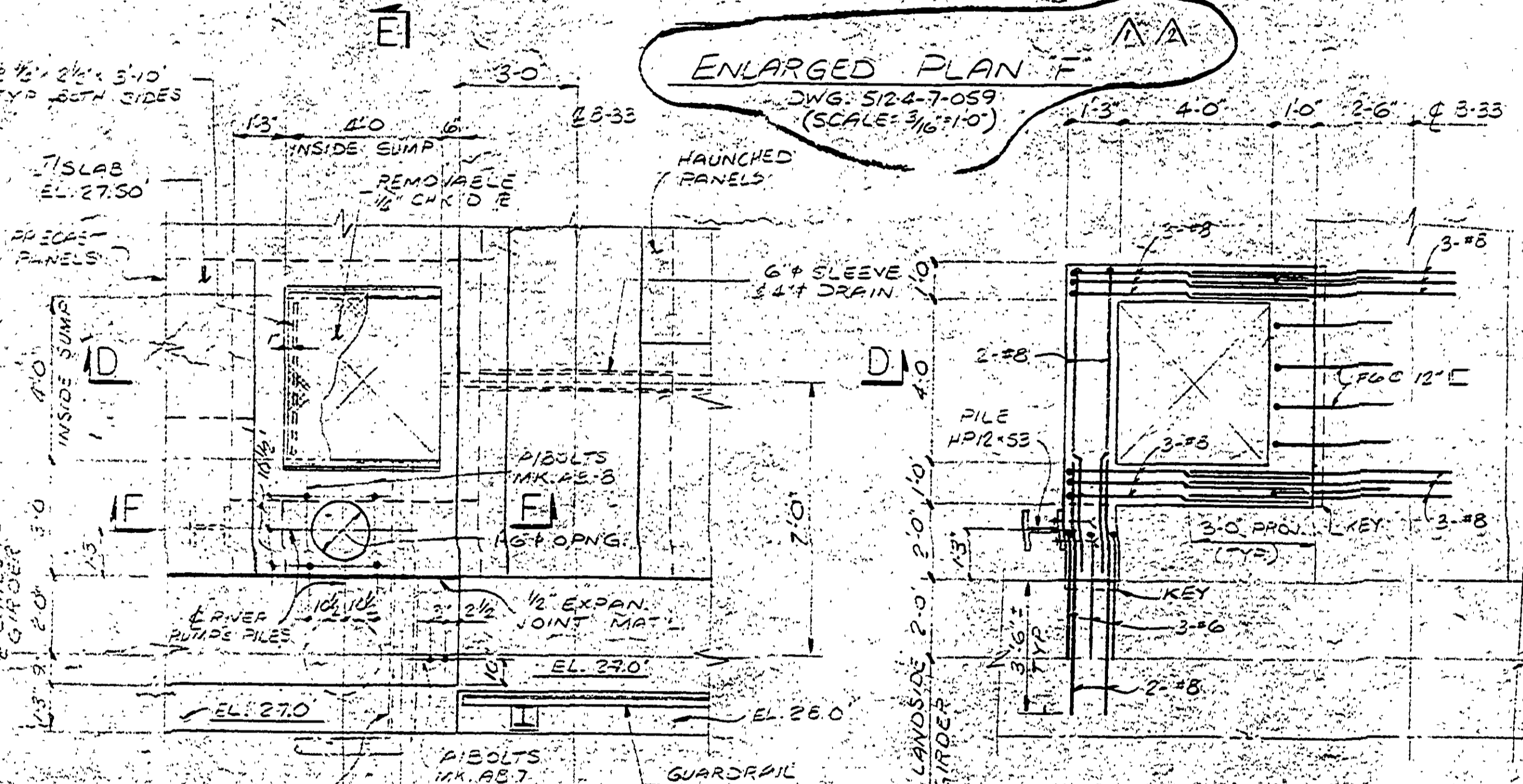
NO. REQ'D	CONTRACT NO.	SHOP BILL NO.
PACIFIC COAL CORPORATION COAL EXPORT TERMINAL PORTLAND, OREGON PIER-REINFORCING DETAILS		
SCALE 3/8" = 1'-0" U.N.	APP'D [Signature]	DATE 3/31/82
DR EJS	3-26-82	
CHKD [Signature]	4-2-82	
DRAWING NO. 5124-7-071		REV. 1



REV.	ITEM	DESCRIPTION	DATE
1		RELEASED FOR CONSTRUCTION	8/22/82
2		ADDED ENLARGED PLAN OF MECH. BLDG. SUMP PLANS & SECTIONS	9/24/82
3		REV. ELECTRICAL-MECH. BLDG. PLAN, PER APPROVED BLDG. DETAILS	10/16/82

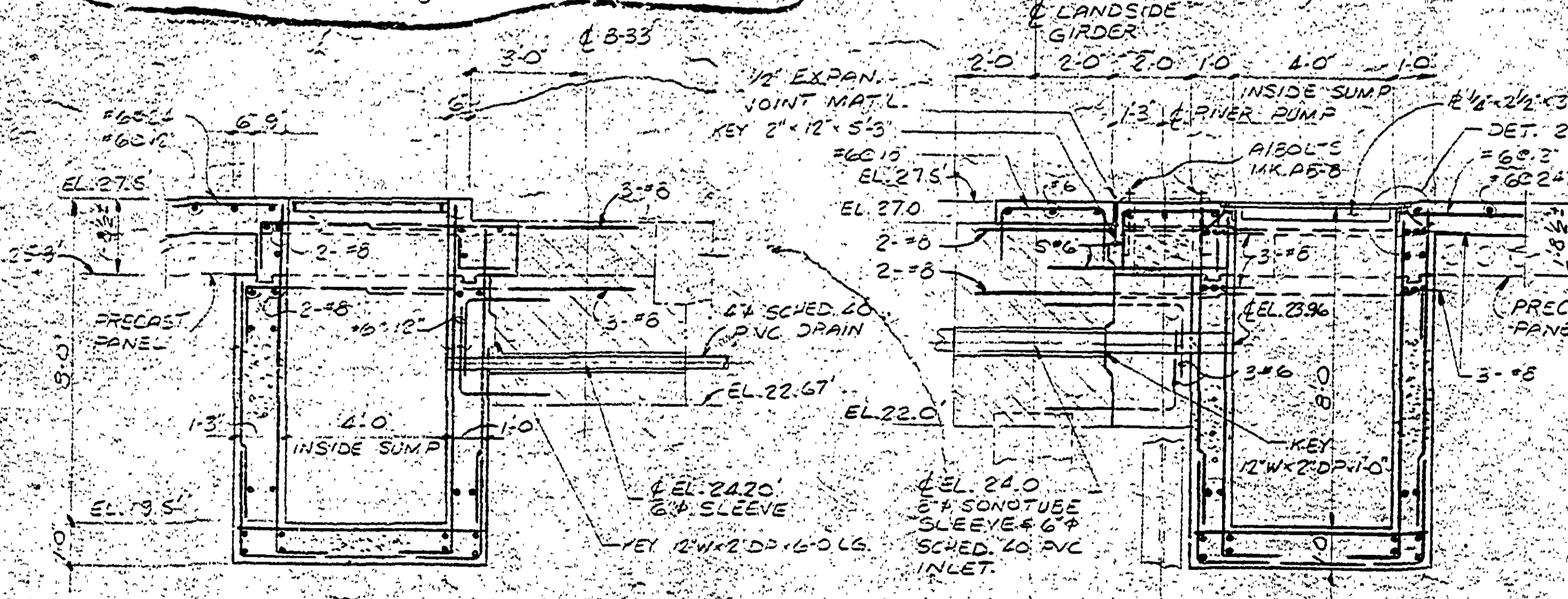


ENLARGED PLAN F
 DWG. 5124-7-059
 (SCALE: 3/16"=1'-0")

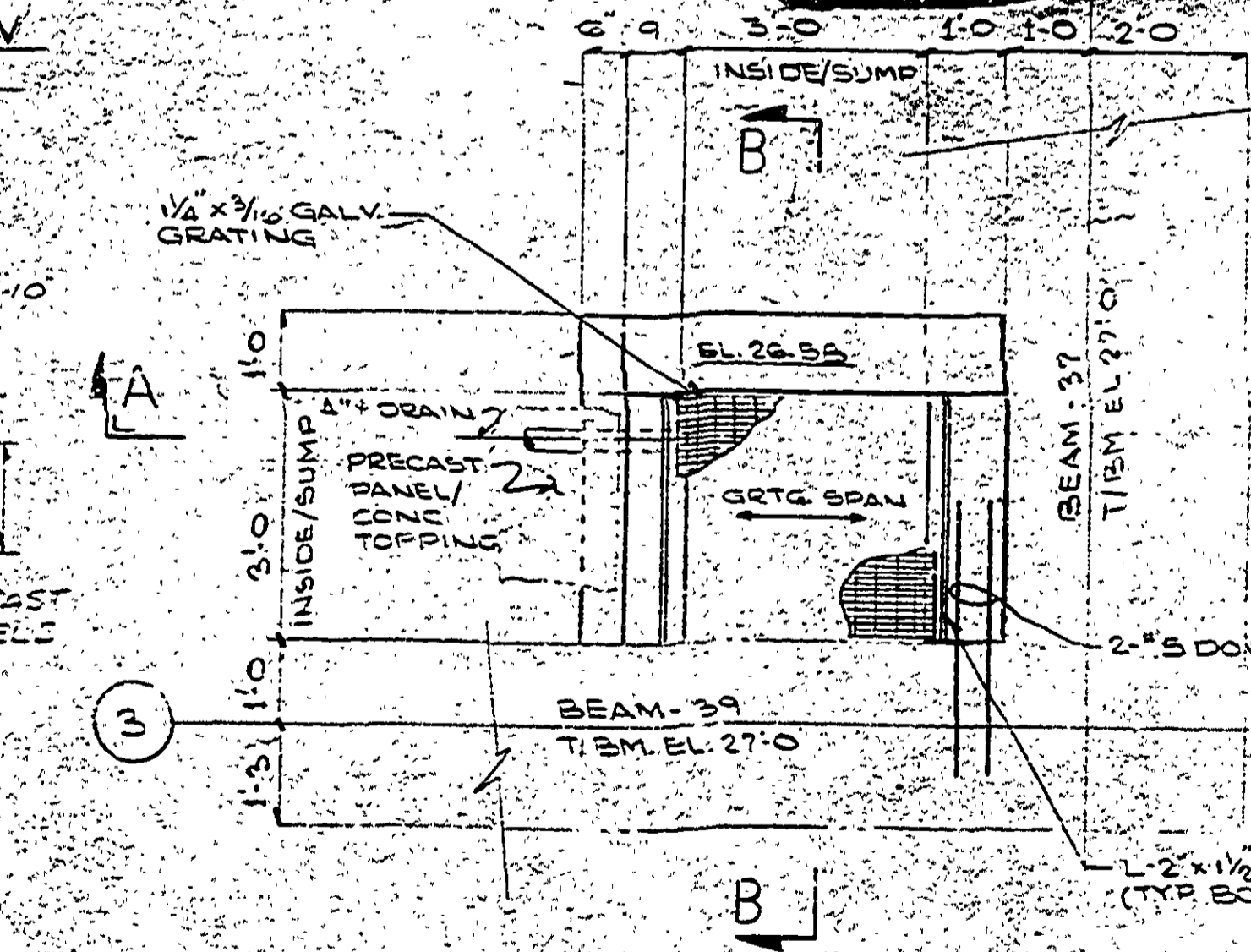


MECH. BLDG. SUMP SECTIONAL PLAN
 (SUMP TIE-IN TO LANDSIDE GIRDER & BEAM B-33)
 SCALE: 3/8"=1'-0"

MECHANICAL BLDG. SUMP PLAN
 SCALE: 3/16"=1'-0"

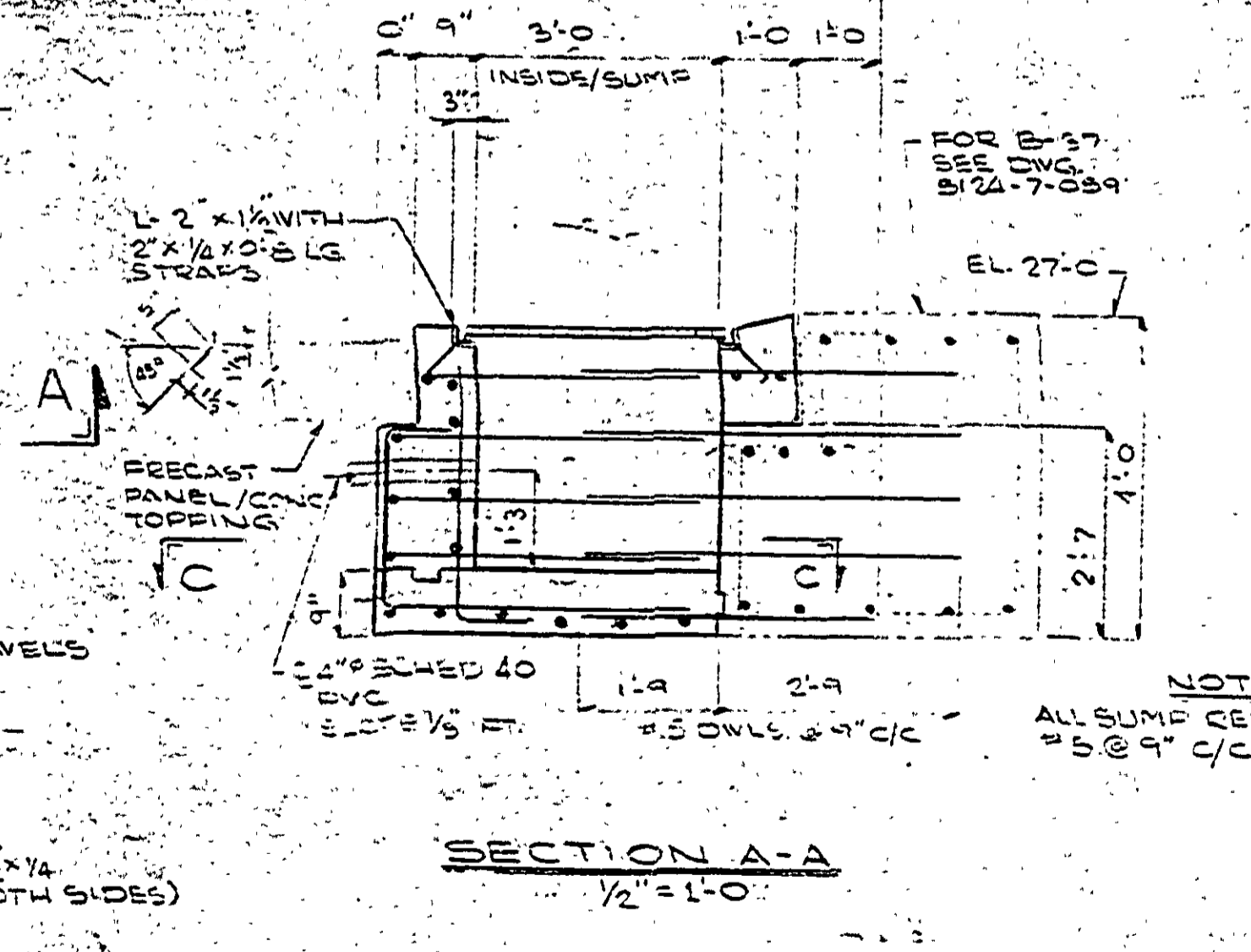


ANCHOR BOLT MK. AB-7 (8 REQ.)

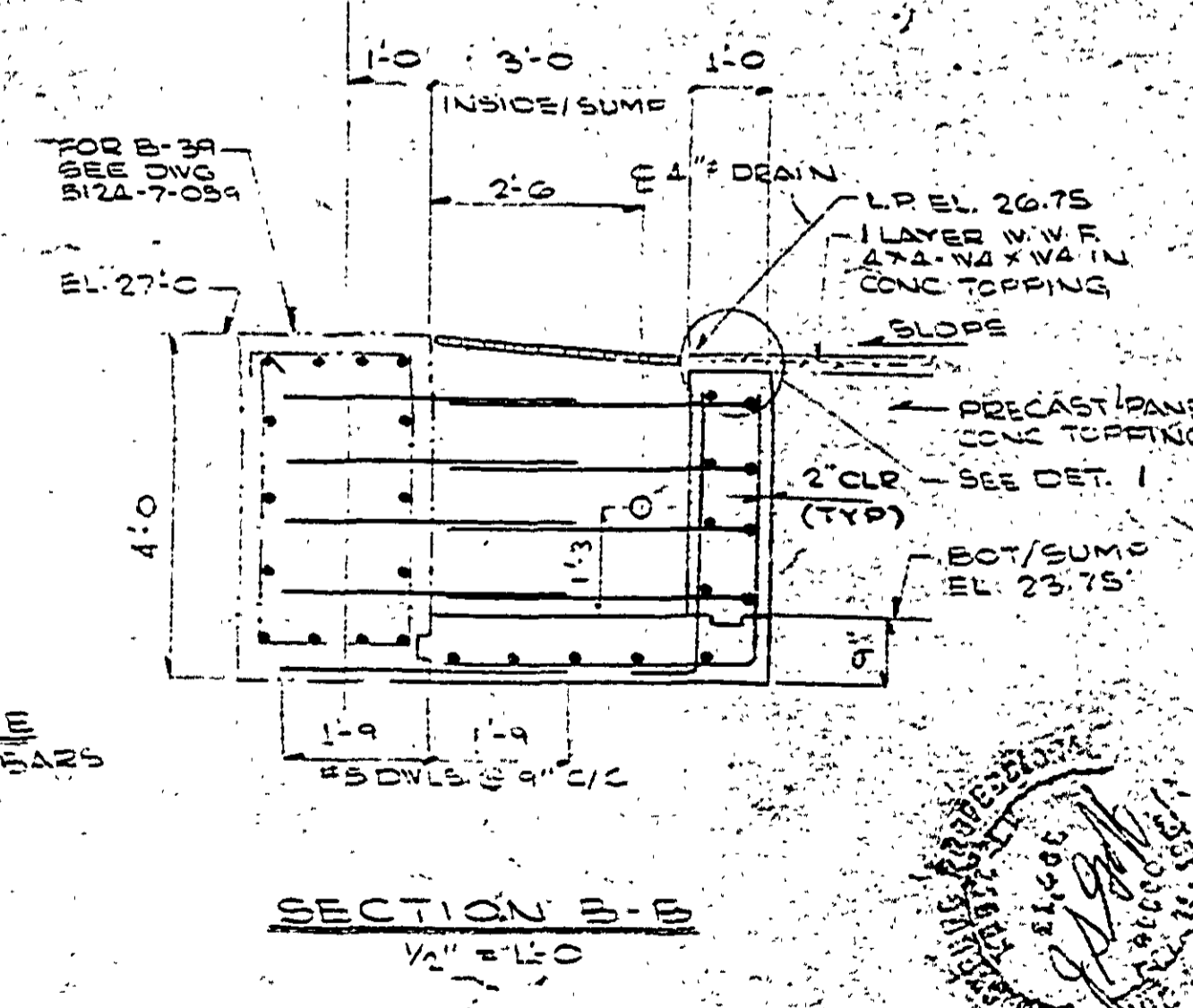


SUMP PLAN
 DWG. 5124-7-061
 1/2"=1'-0"

SECTION A-A
 1/2"=1'-0"



SECTION B-B
 1/2"=1'-0"



SECTION D-D
 SCALE: 3/16"=1'-0"



SECTION E-E
 SCALE: 3/16"=1'-0"



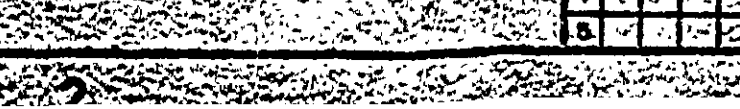
DETAIL 2
 SCALE: 1/2"=1'-0"



DETAIL 1
 SCALE: 1/2"=1'-0"



SECTION C-C
 1/2"=1'-0"



CONTR. NO.	REFERENCE DWGS.
0	1
1	2
2	3
3	4
4	5
5	6
6	7
7	8
8	9
9	10

DR. RALPH/E.S. 8-20-82
 CHK. J.S.G. 8-22-82

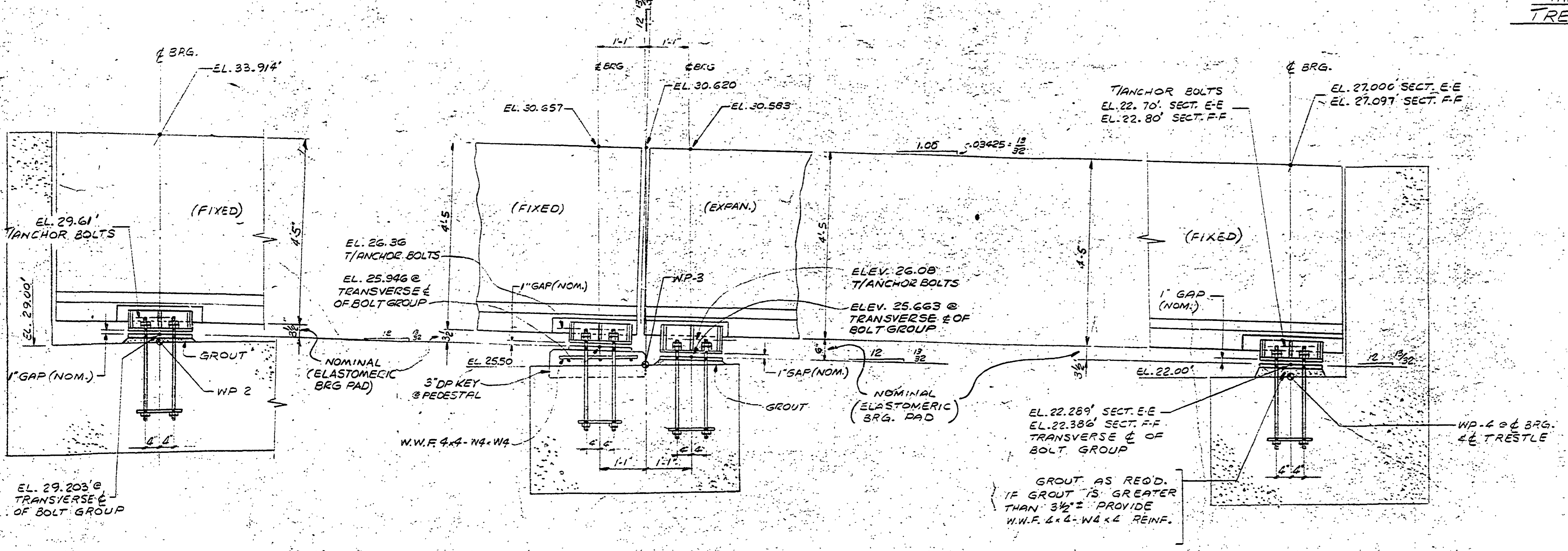
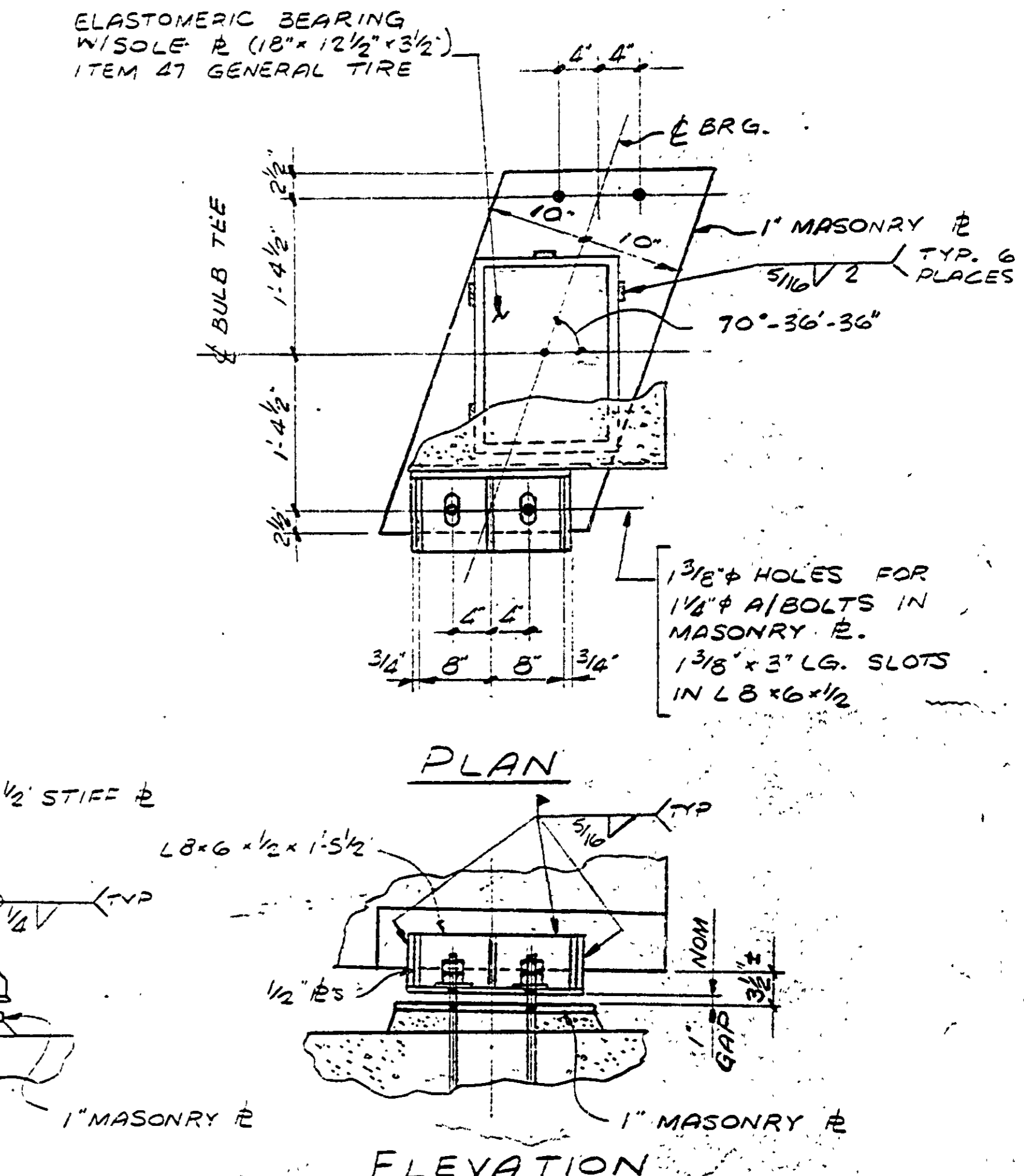
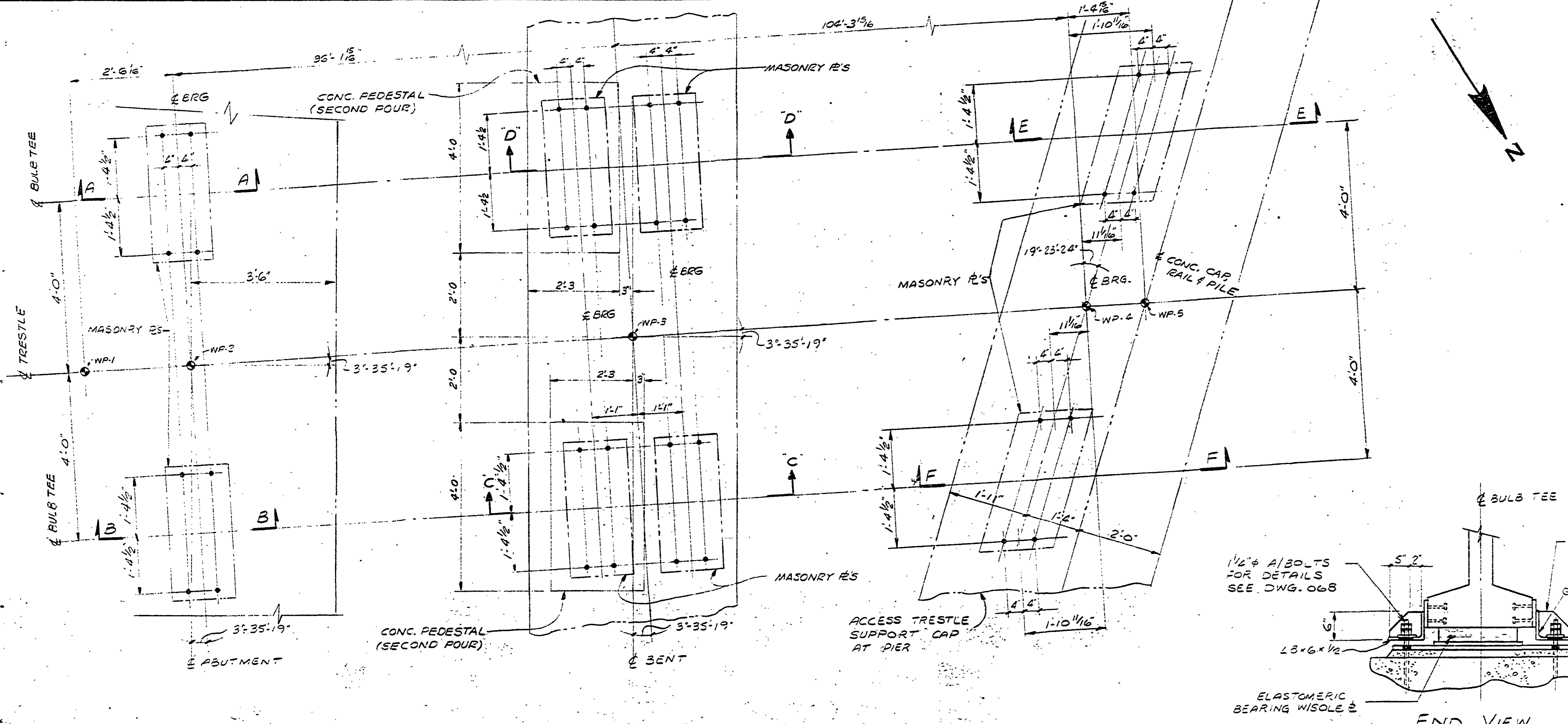
PACIFIC COAL CORPORATION
 COAL EXPORT TERMINAL
 PORTLAND, OREGON
 PIER - MISC. DETAILS

SCALE AS NOTED APP'D: [Signature]
 DATE: 9/23/82

Dravo CORPORATION, PITTSBURGH, PA. DR-DE-82

DRAWING NO. 5124-7-072-2

REV.	ITEM	DESCRIPTION	DATE	REF.
0		RELEASED FOR CONSTRUCTION	7-3-82	
1		GENERAL REVISION ADDED BEARING DETAILS AT ABUTMENT & PER	9-2-82	



1. WORK THIS DWG WITH DWGS 067, 068, 071 & 073

FOR DETAILS SEE DWG. 068

FOR DETAILS SEE DWG. 068

SEE DETAILS THIS DWG.

CONTR. NO.	REFERENCE DWGS.	SHEET
01	02 03 04 05 06 07 08 09	10
11	12 13 14 15 16 17 18 19	20
21	22 23 24 25 26 27 28 29	30
31	32 33 34 35 36 37 38 39	40
41	42 43 44 45 46 47 48 49	50

NO. RECD. CONTRACT NO. SHOP BILL NO. **BCJLMRS**

PACIFIC COAL CORPORATION
COAL EXPORT TERMINAL
PORTLAND OREGON
ACCESS TRESTLE SHEET 3 OF 3

SCALE 3/4" = 1'-0" U.S. APP'D. DATE 9-3-82

DRAWN BY: [Signature] 9-2-82
CHK'D BY: [Signature] 9-2-82

Dravo
DRAVO CORPORATION, PITTSBURGH, PA. GW DEI

EP-8603
DRAWING NO. 5124-7-073