

**West Point Treatment Plant - Digester 1 to 5
Low Pressure Sludge Gas (LSG) Pipe Replacement**

Contract Number KC000106

**Section 00 90 00
Addendum Number 2**

Prospective bidders are hereby notified that the bidding documents have been amended as hereinafter set forth:

Ref.	Section and Page or Drawing	Location and Description of Change
		VOLUME 3 OF 3
2.1	M404	24" LSG PIPE ABOVE PLENUM VAULT DELETE: M404 REPLACE with: M404, Addendum 2, Dated 02/11/2021
2.2	M501	MECHANICAL TYPICAL DETAILS DELETE: M501 REPLACE with: M501, Addendum 2, Dated 02/11/2021

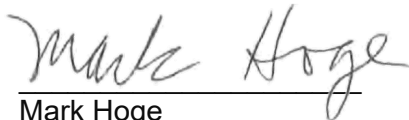
Attached To This Addendum:

- M404, Addendum 2, Dated 02/11/2021
- M501, Addendum 2, Dated 02/11/2021

This Addendum shall be attached to and form a part of the Contract Documents. All bidders are reminded to acknowledge this Addendum in the E-Procurement system before a bid can be accepted.

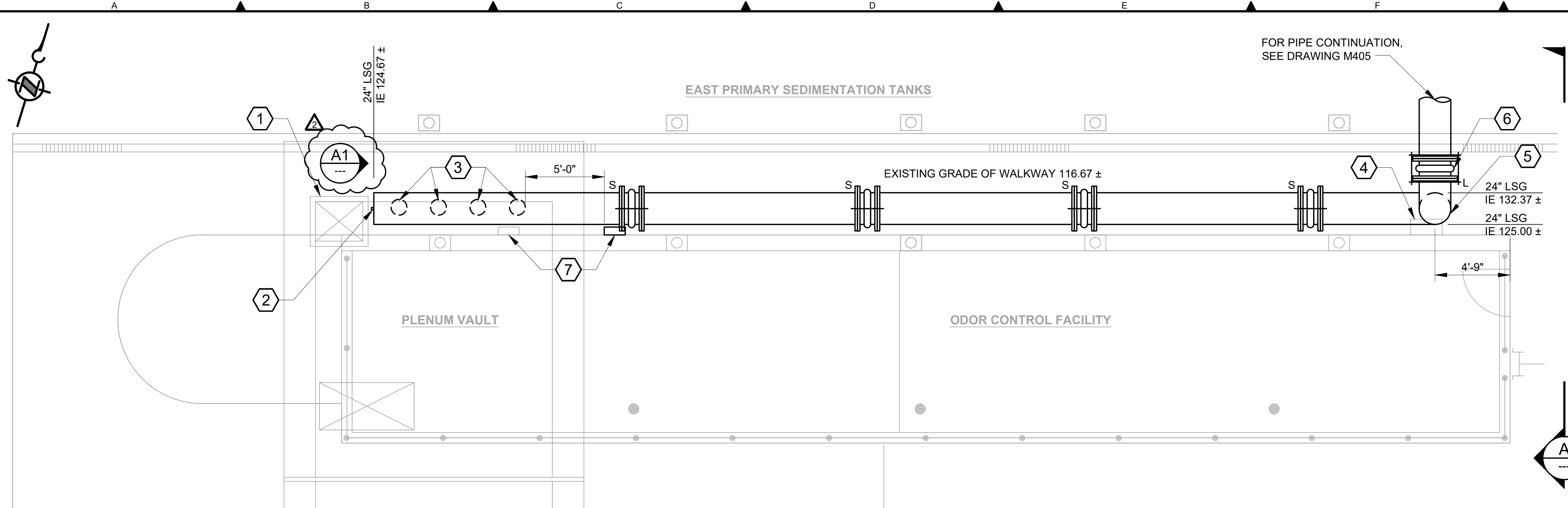
Bidders are also reminded to review Clarification documents in the E-Procurement system for responses to timely submitted questions.

Feb. 17, 2021



Mark Hoge
Contract Specialist

1" REFERENCE



PARTIAL PLAN
SCALE: 1/4"=1'-0"
B
M401

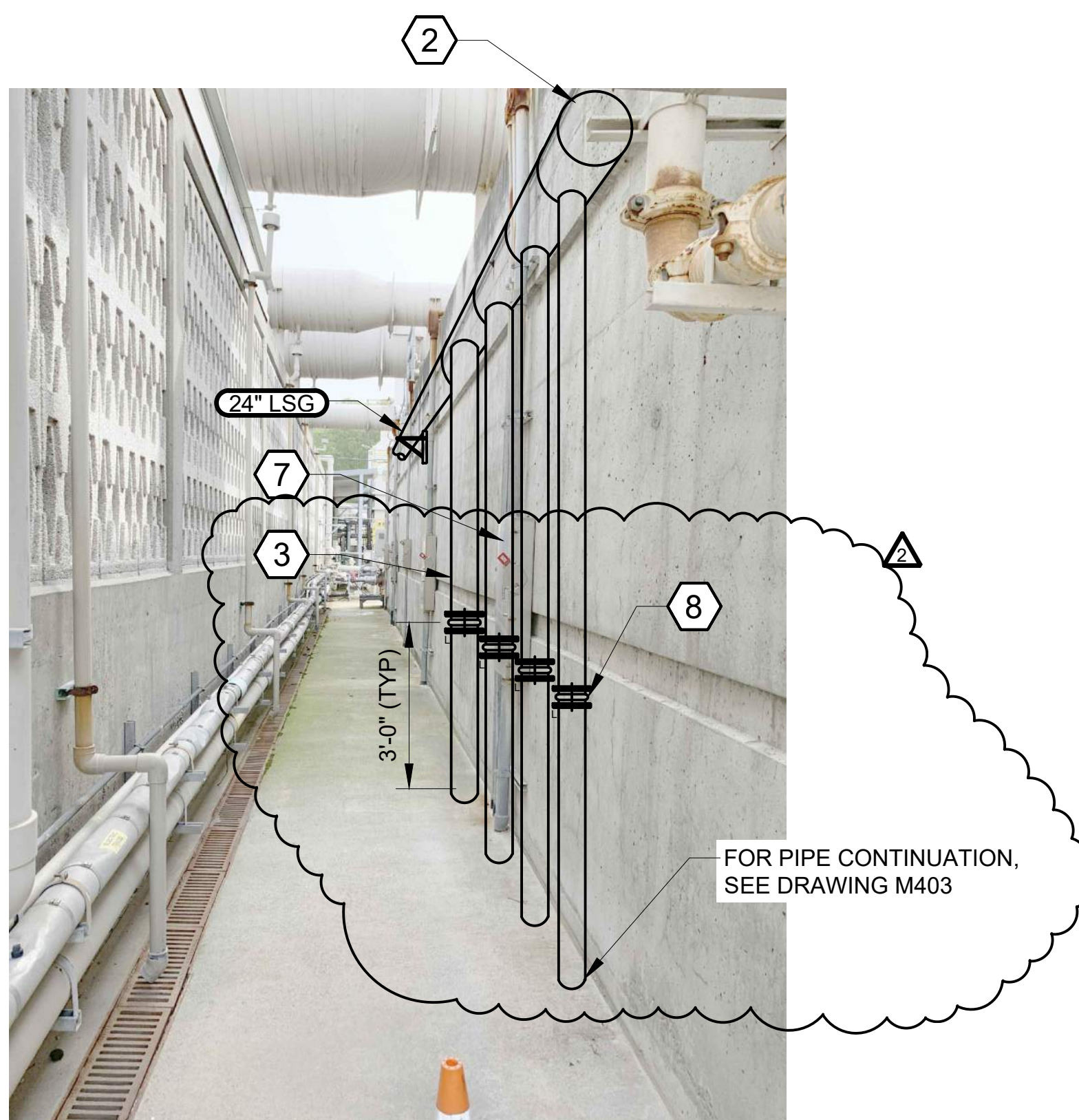
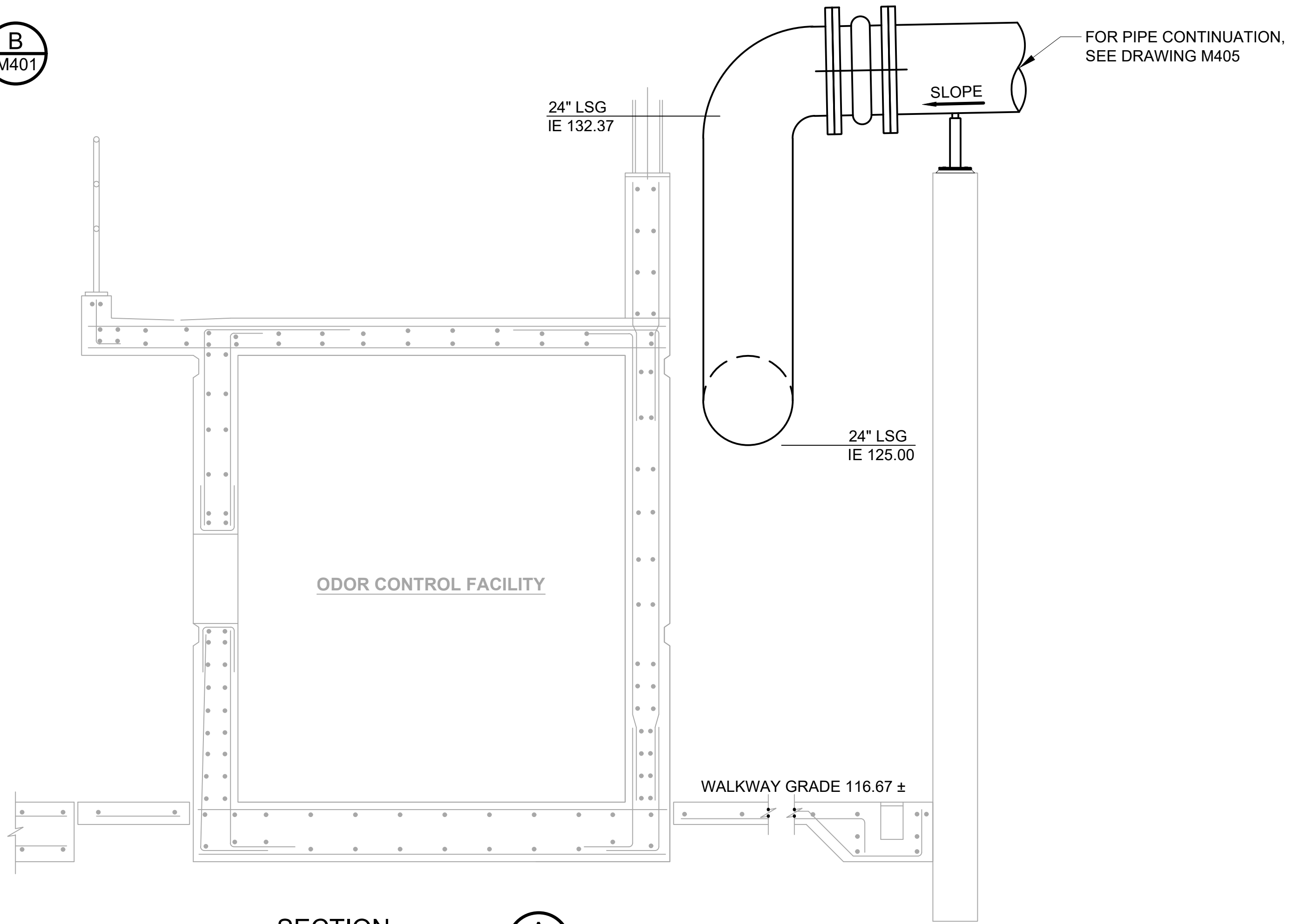


PHOTO ELEVATION VIEW
SCALE: NTS
A1



SECTION
SCALE: 1/2"=1'-0"
A

- KEY NOTES:**
- 1 EXISTING PLENUM VAULT ACCESS HATCH.
 - 2 24" BLIND FLANGE WITH 1-1/2" WELD-O-LET PURGE INLET IN CENTER OF FLANGE. REFERENCE TYPICAL DETAIL A ON DRAWING M501.
 - 3 (4) 12" LSG FROM PLENUM VAULT. SEE DRAWING S402 FOR PLENUM VAULT AND WALKWAY PENETRATION DETAILS. ADJUST VERTICAL ALIGNMENT OF 12" LSG PIPES TO BE CENTERED AT CONNECTION TO 24" LSG.
 - 4 APPROXIMATE LOCATION OF EXISTING LIGHT TO REMAIN. NOTIFY ENGINEER IF CONFLICT WITH 24" LSG EXISTS.
 - 5 (2) 24" 90 DEGREE ELBOWS.
 - 6 24" FLANGED SST EXPANSION JOINT.
 - 7 RELOCATE EXISTING BLOWER DISCONNECT SWITCH AND PANEL TO PROVIDE 5' CLEARANCE FROM 12" LSG. COORDINATE WITH PROJECT REPRESENTATIVE PRIOR TO DISCONNECTION.
 - 8 (4) 12" FLANGED SST EXPANSION JOINTS. REFERENCE SECTION B ON DRAWING S403 FOR PIPE SUPPORTS.

BORDER FILE EDITION: KCWTD-2015RC-Size-TB-Header
C:\es\dwg_rendition\0984946700-11086A10M0404.dwg | Layout: M404
PLOTTED: Feb 11, 2021 05:41:10am By svcPW
XREFS: KCWTD-Size-TB-Header, P2.dwg, 11086A1009S9101.dwg, 11086A1016S9101.dwg, 706-11086A10706S9122.dwg
IMAGES: dms_deleted IMG_0549.JPG; IMG_0631.JPG;

NO	REVISION DESCRIPTION	MSB	KWH	02/11/21
BY	APVD	DATE		
ADDENDUM NO. 2				



ORIGINAL SEALED BY
MICHAEL S. BORRERO
12/18/20
WA 52863

DESIGNED/DRAWN: C. THOMPSON	CHECKED: M. BORRERO
PROJECT ENGINEER: M. BORRERO	SCALE: AS NOTED
DESIGN APPROVAL: COLLINS	PROJECT FILE NO: 20-1129526
PROJECT ACCEPTANCE: RAHMAN	

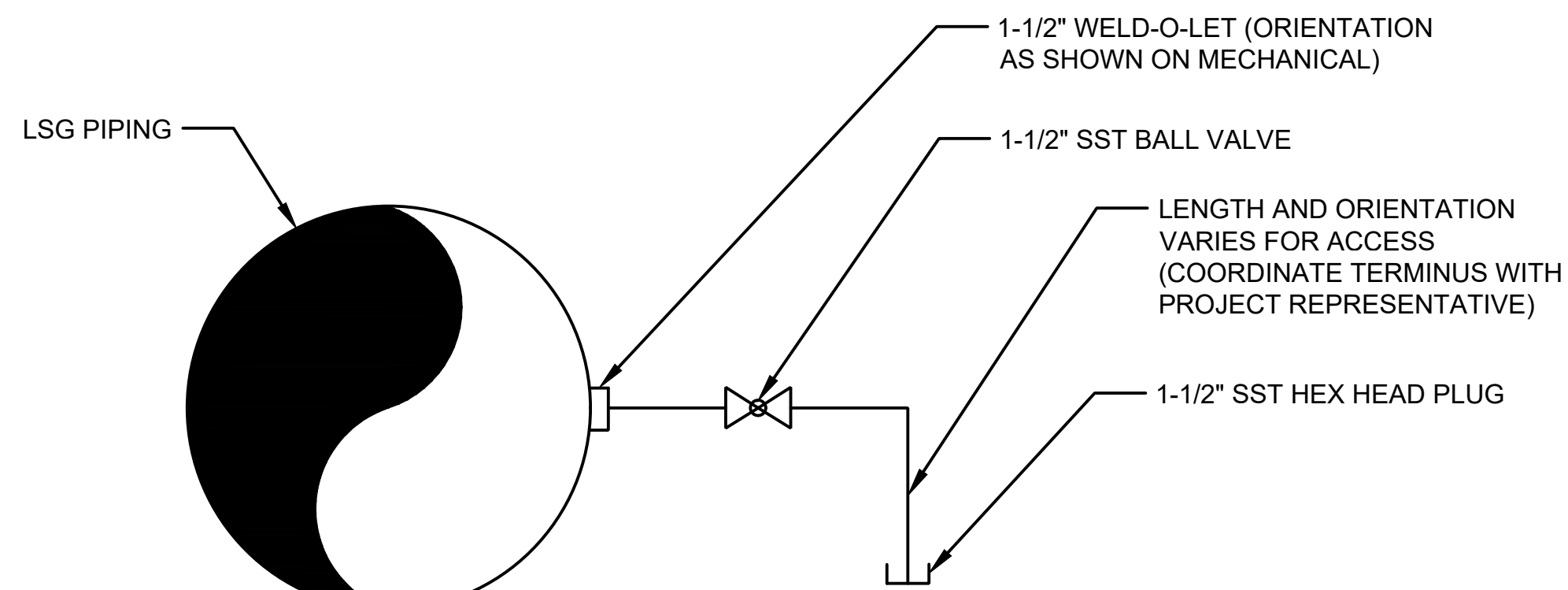


DEPARTMENT OF NATURAL RESOURCES & PARKS
WASTEWATER TREATMENT DIVISION
LOW PRESSURE SLUDGE GAS (BIOGAS)
LSG PIPE REPLACEMENT DIGESTER 1 TO 5

**24" LSG PIPE
ABOVE PLENUM VAULT**

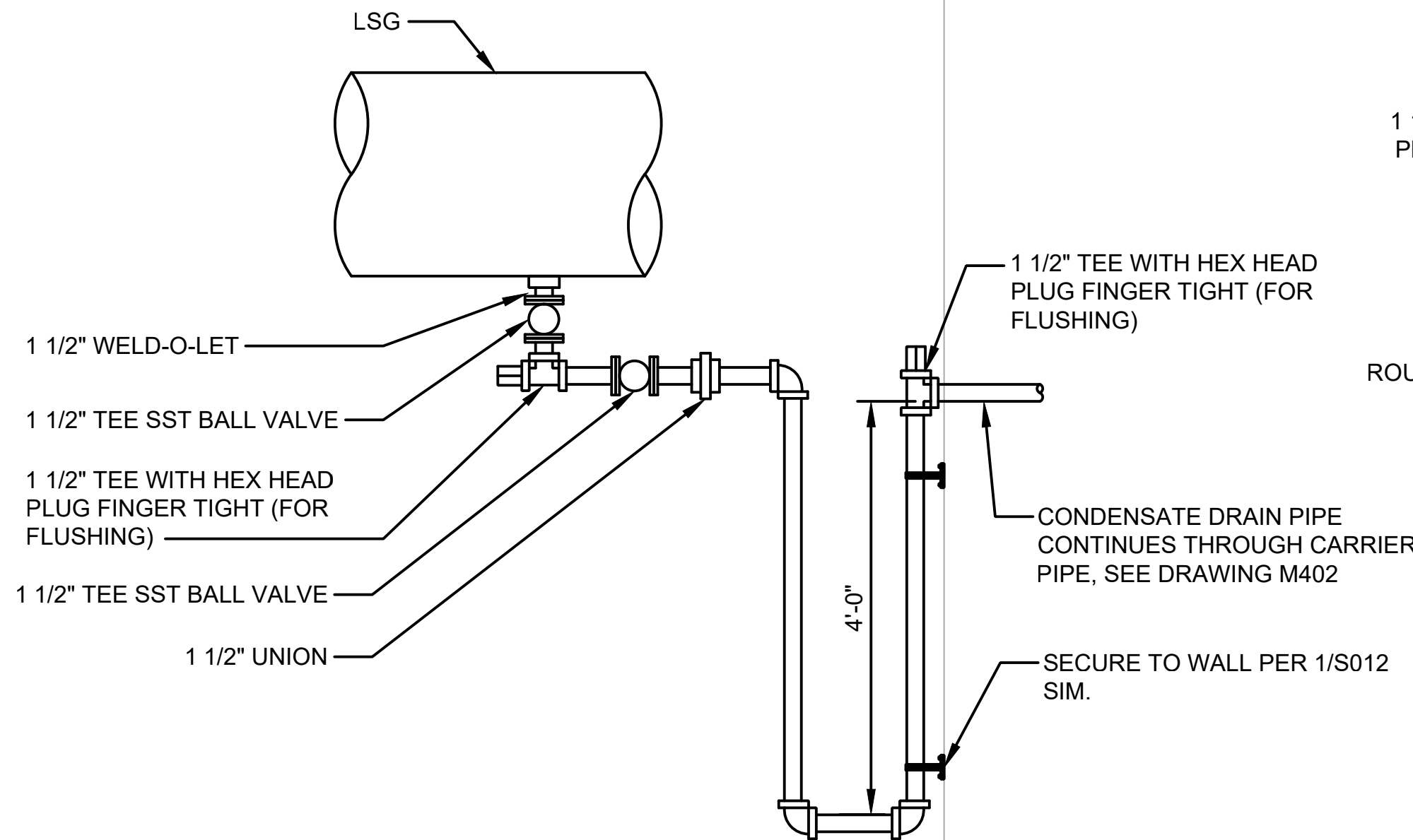
DATE: DECEMBER 2020
DRAWING NO: M404
SHT NO / TOTAL 92 / 179
REV NO: 0

0 1" REFERENCE

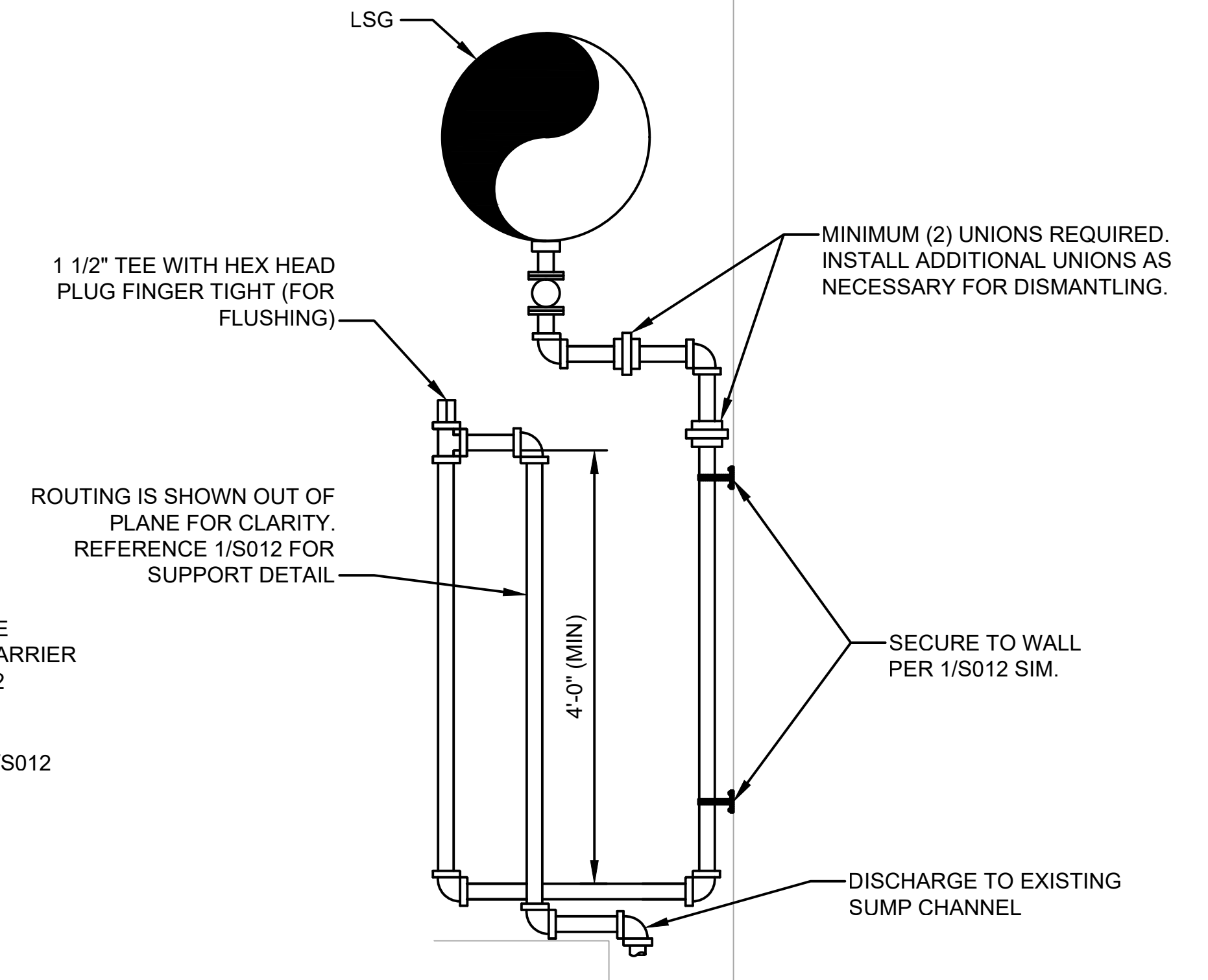


NOTE:
CONTRACTOR TO CONFIRM FINAL LOCATION AND ORIENTATION OF PURGE INLET/OUTLET PRIOR TO FABRICATION.

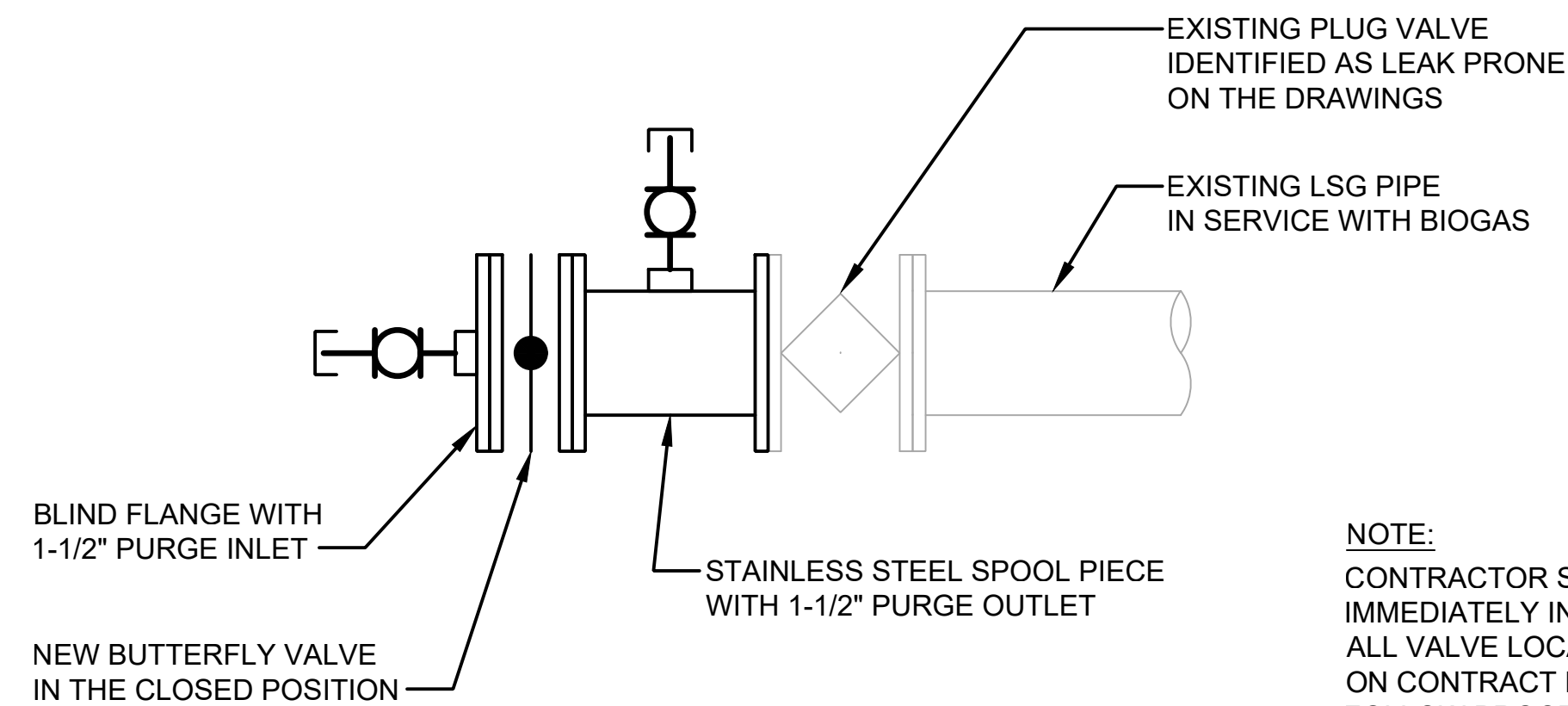
PURGE INLET/OUTLET TYPICAL DETAIL (A)
SCALE: NTS



LSG CONDENSATE P-TRAP DRAIN AT AIR PLENUM (B)
SCALE: NTS



LSG CONDENSATE P-TRAP DRAIN (C)
SCALE: NTS



NOTE:
CONTRACTOR SHALL BE PREPARED TO IMMEDIATELY INSTALL THIS TYPICAL DETAIL AT ALL VALVE LOCATIONS NOTED AS LEAK PRONE ON CONTRACT DRAWINGS G105 TO G111. FOLLOW PROCEDURES AND CONSTRAINTS OUTLINED IN SPECIFICATION SECTION 01 14 00. CONTRACTOR SHALL PROVIDE TEMPORARY OR PERMANENT SUPPORT AS REQUIRED.

LEAKING VALVE ASSEMBLY (D)
SCALE: NTS

BORDER FILE EDITION: KCWTD-2015RC-Size-TB-Header
C:\es\dw_rendition\09846700-11086A10M0501.dwg | Layout: M501
PLOTTED: Feb 11, 2021-05:27:07am By svc\pw
XREFS: KCWTD-Size-TB-Header_P2.dwg; 700-11086A10708M401.dwg
IMAGES:

NO	REVISION DESCRIPTION	BY	APVD	DATE
	ADDENDUM NO. 2	MSB	KWH	02/11/21



** ORIGINAL SEALED BY MICHAEL S. BORRERO 12/18/20 WA 52863 **

DESIGNED/DRAWN: C. THOMPSON	CHECKED: M. BORRERO
PROJECT ENGINEER: M. BORRERO	SCALE: AS NOTED
DESIGN APPROVAL: COLLINS	PROJECT FILE NO: 20-1129526
PROJECT ACCEPTANCE: RAHMAN	



DEPARTMENT OF NATURAL RESOURCES & PARKS
WASTEWATER TREATMENT DIVISION
LOW PRESSURE SLUDGE GAS (BIOGAS)
LSG PIPE REPLACEMENT DIGESTER 1 TO 5

MECHANICAL TYPICAL DETAILS

DATE: DECEMBER 2020
DRAWING NO: M501
SHT NO / TOTAL REV NO: 101 / 179 0